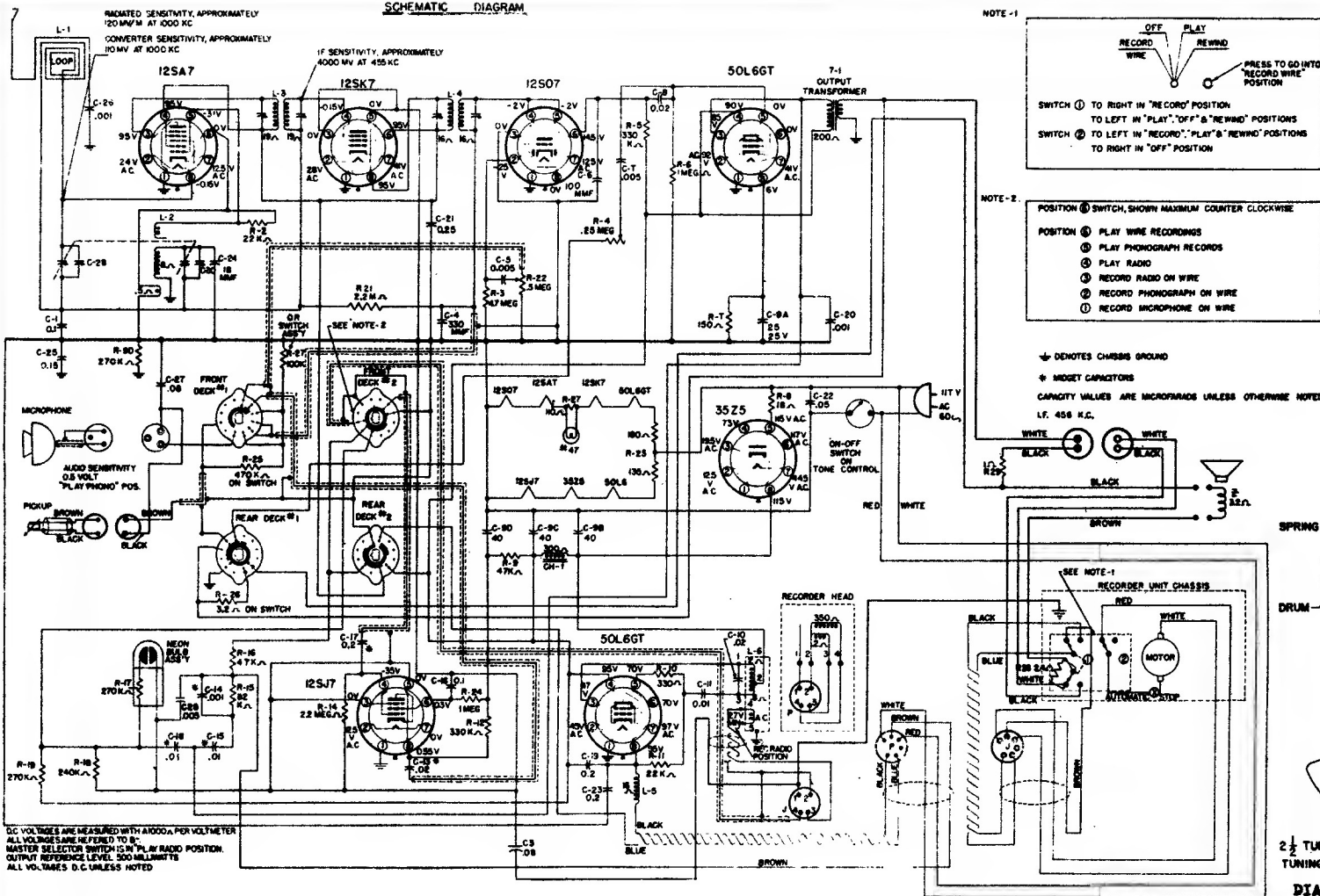
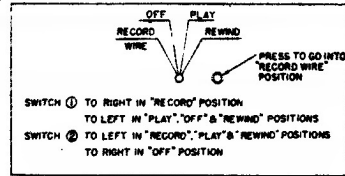


SCHMATIC DIAGRAM

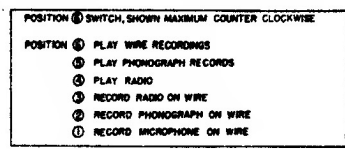


DC VOLTAGES ARE MEASURED WITH A 1000 $\Omega$  PER VOLT METER  
 ALL VOLTAGES ARE REFERRED TO B-  
 MASTER SELECTOR SWITCH IS IN "PLAY" RADIO POSITION  
 OUTPUT REFERENCE LEVEL, 300 MILLIWATTS  
 ALL VOLTAGES D.C. UNLESS NOTED

NOTE - 1



NOTE - 2

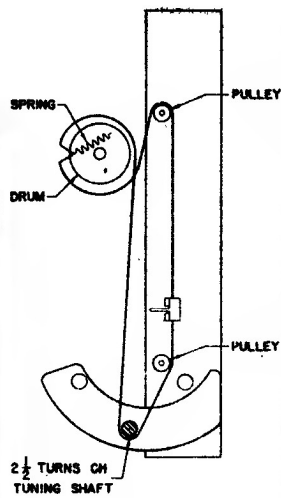


↓ DENOTES CHASSIS GROUND

\* MODET CAPACITORS

CAPACITY VALUES ARE MICROFARADS UNLESS OTHERWISE NOTED  
 LF. 455 K.C.

Sears, Roebuck & Co.  
 Catalog Models 7086 & 7103  
 Chassis 110.466, 110.466-1



Sears, Roebuck & Co.  
 Catalog Models 7086 & 7103  
 Chassis 110.466, 110.466-1

POSITION OF VARIABLE	GENERATOR FREQUENCY	DUMMY ANTENNA	GENERATOR CONNECTION	ADJUSTMENTS (In order shown)	FUNCTION
Any	455	.2 mfd.	Grid. 12BA7GT	L3, L4	I. F.
1500 Kc	1500 Kc	***	*** See Below	O30, O29	Osc. R. F.
600 Kc	600 Kc	***	*** See Note Below	(Check-Point)	(Check Point)

\*\*\*Run a wire from the output terminal of generator near the receiver. No connection is made between the signal generator and the receiver.