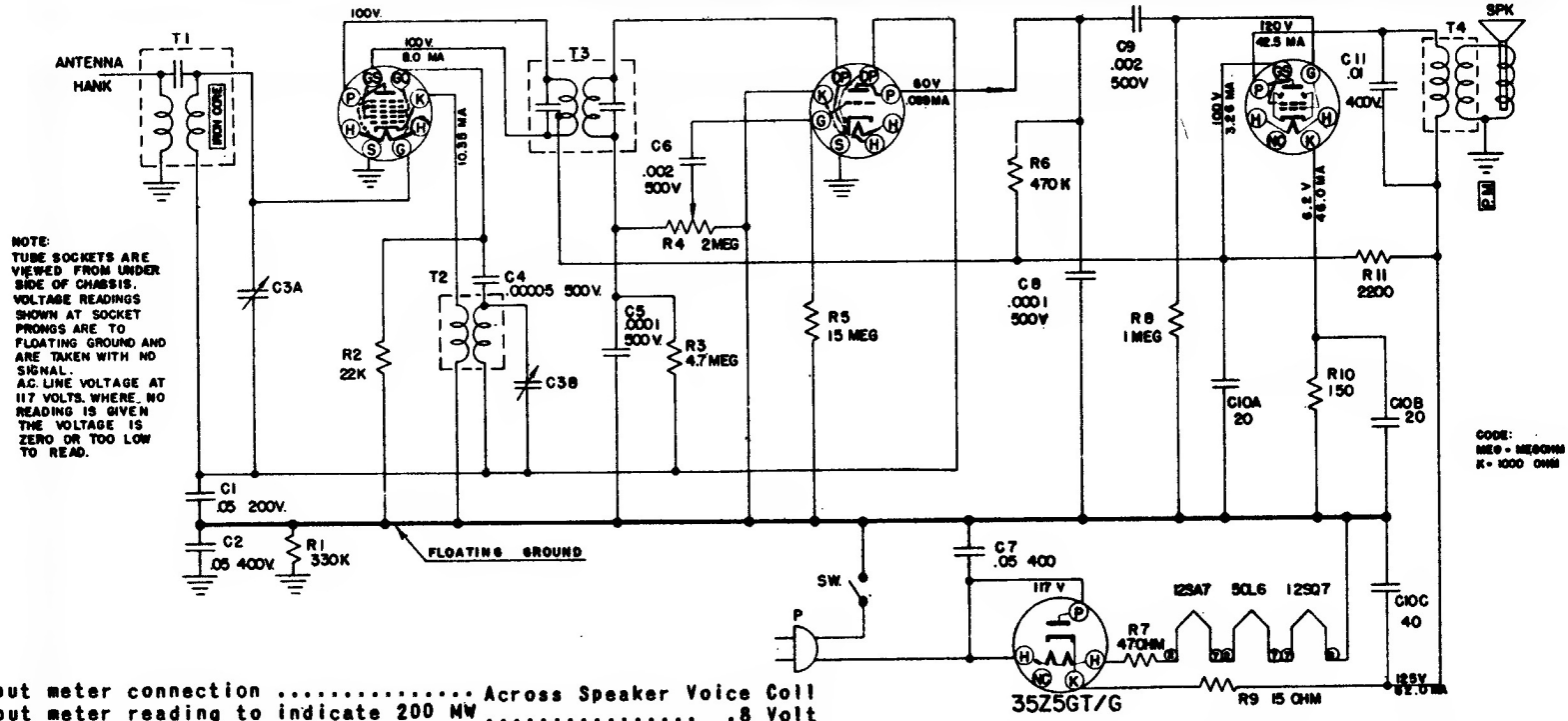


12SA 7GT/G

12SQ 7GT/G

50L6GT



NOTE:
TUBE SOCKETS ARE VIEWED FROM UNDER SIDE OF CHASSIS. VOLTAGE READINGS SHOWN AT SOCKET PRONGS ARE TO FLOATING GROUND AND ARE TAKEN WITH NO SIGNAL. AC LINE VOLTAGE AT 117 VOLTS, WHERE NO READING IS GIVEN THE VOLTAGE IS ZERO OR TOO LOW TO READ.

CODE:
MEG = MEGOHM
K = 1000 OHM

- Output meter connection Across Speaker Voice Coil
- Output meter reading to indicate 200 MW8 Volt
- Generator modulation 30% 400 Cycles
- Position of volume control Fully Clockwise
- Position of dial pointer with variable condenser fully closed Down

POSITION OF VARIABLE	GENERATOR FREQUENCY	DUMMY ANTENNA	GENERATOR CONNECTION HIGH SIDE	GENERATOR CONNECTION GRD. LEAD	ADJUST TRIMMERS IN ORDER SHOWN	TRIMMER FUNCTION
Open	455 KC	.05 Mfd.	Mixer Grid	Floating Gnd T3		IF
Open	1620 KC	50 Mmf.	*Ant. Lug	Float. Bnd. C38		Oscillator
1400 KC	1400 KC	50 Mmf.	*Ant. Lug	Float. Gnd. C3A		Antenna
600 KC	600 KC	50 Mmf.	*Ant. Lug	Float. Gnd. **Check Point		Antenna

* Antenna hank lug on antenna coil with hank removed.
 ** Check sensitivity at 600 KC. If low, adjust antenna section plates of variable for maximum output at 600 KC.
 The alignment procedure should be repeated in the original order for greatest accuracy
 Always keep the output from the signal generator at its lowest possible value to make the A. V. C. action of the receiver ineffective.

SCHEMATIC LOCATION	PART NO.	DESCRIPTION
R1		Resistor, 300,000 Ohm, 1/4 Watt
R2		Resistor, 22,000 Ohm, 1/4 Watt
R3		Resistor, 2.7 Megaohm, 1/4 Watt
R4	X21395	Control - Vol and switch, 2 meg.
R5		Resistor, 15 Megaohm, 1/4 Watt
R6		Resistor, 470,000 Ohm, 1/4 Watt
R7	X10177	Resistor, 47 Ohm, 1 Watt
R8		Resistor, 1 Megaohm, 1/4 Watt
R9		Resistor, 15 Ohm, 1/4 Watt
R10		Resistor, 150 Ohm, 1/4 Watt
R11		Resistor, 2200 Ohm, 1 Watt
C1		Condenser, .05 Mfd., 200 V
C2, C7		Condenser, .05 Mfd., 400 V
C3A, C3B	X21388	Condenser, Variable, 2 Gang
C4		Condenser, .00005 Mfd., 500 V
C5, C8		Condenser, .0001 Mfd., 500 V, Mica
C6, C9		Condenser, .002 Mfd., 400 V
C10A, C10B, C10C	X21455	Condenser, Electrolytic, 40-20 Mfd., 150 Volt, 20 Mfd., 25 Volt
C11		Condenser, .01 Mfd., 400 V
T1	X21420	Coil, Antenna
T2	X21328	Coil, Oscillator
T3	X21325	Transformer, I. F.
T4	X21470	Speaker, 4" P.M. with Output Transformer
8xk		Speaker, 4" P.M. with Output Transformer
	X21334	Speaker, 4" P.M.
	X21332	Transformer, Output
	X20138	Line Cord with Plug
	X21126	Grille, Ivory
	X19928	Grille, Metal Cabinet Front
	X21175	Knob, Dial Scale
	X21306	Grille Cloth, Rear Cabinet
	X21316	Felt Feet
	X21191	Knob, Tuning, Ivory
	X21178	Pointer, Dial
	X21177	Knob, Volume, Ivory
	X18138	Mica, Antenna Hook