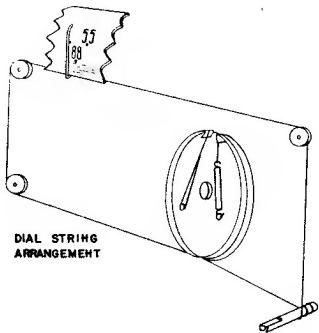


APPROX INPUT REQUIRED FOR 50 MW STANDARD OUTPUT
 850 W / M - 1400 KC
 850 W / M - 1000 KC
 800 W / M - 400 KC
 WITH STANDARD LOOP
 40 W - 100 MC
 30 W - 51 MC
 TO FM ANTENNA TERMINALS
 WITH 50Ω OHM DUMMY ANTENNA

* CERAMIC 500 V, 10% NPO
 † SILVER MICA 500 V, 10%

ALL VOLTAGE MEASUREMENTS ARE MADE WITH AN ELECTRONIC VOLTMEETER WITH A LINE VOLTAGE OF 117 V AC WITH NO SIGNAL. ALL VOLTAGE READINGS GIVEN ARE POSITIVE

RED DOT ON FIRST I.F. TRANS. GREEN DOT ON SECOND I.F. TRANS.
 LUGS ARE COUNTED IN A CLOCKWISE DIRECTION BEGINNING AT THIS DOT



DIAL STRING ARRANGEMENT

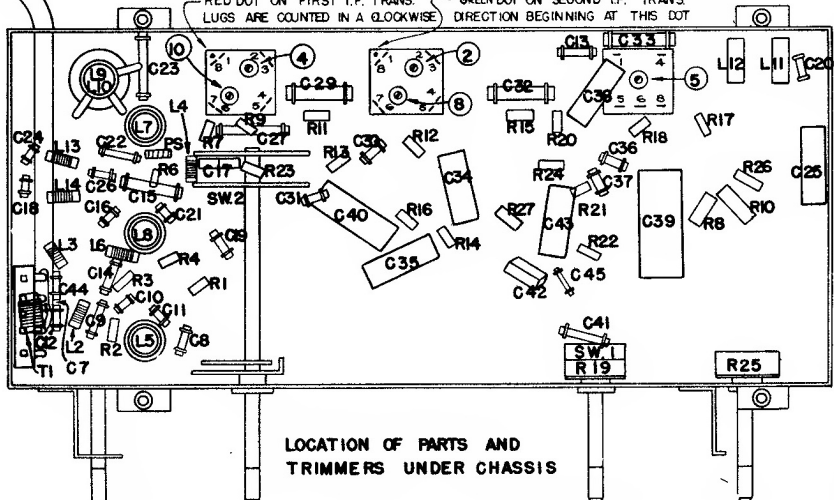
Sears, Roebuck & Co.

Catalog No. 8020

Chassis 132.841

FM I.F. 10.7 MC.

AM I.F. 455 KC.



LOCATION OF PARTS AND TRIMMERS UNDER CHASSIS