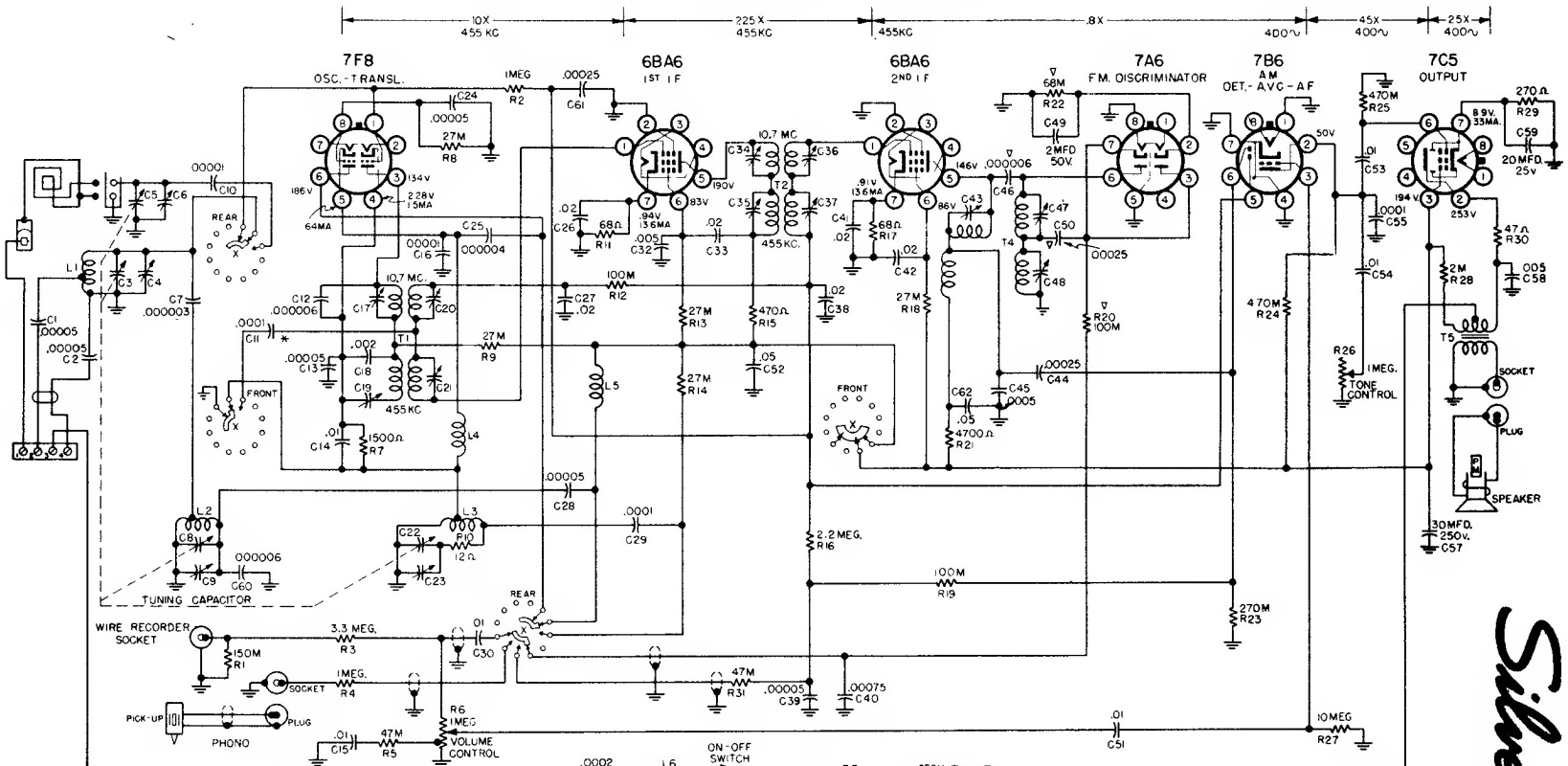
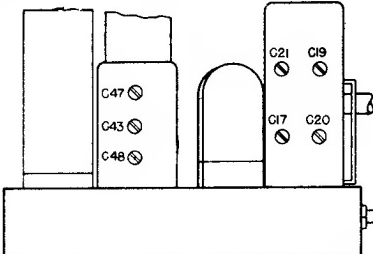
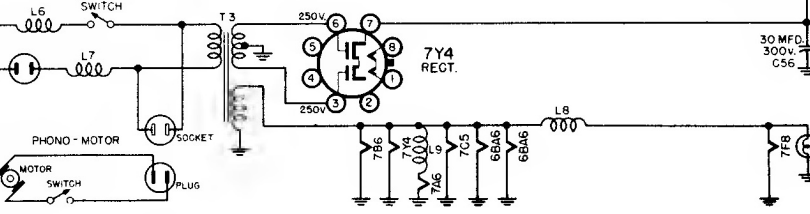
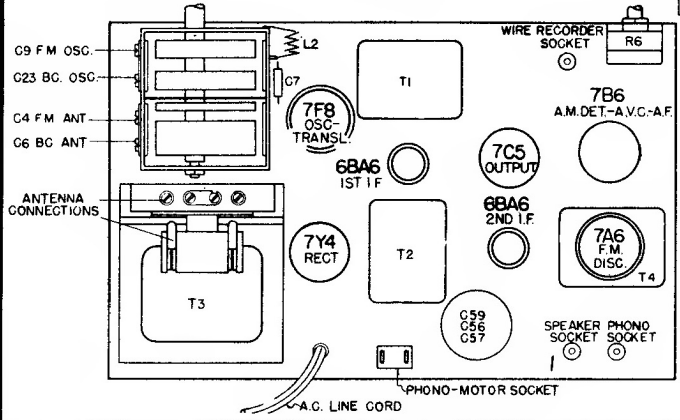


Silvertone



* - PART OF T1 ▽ - PART OF T4 X - F.M.-A.M.-PHONO SWITCH



TUBE SOCKETS ARE VIEWED FROM UNDER SIDE OF CHASSIS. F.M.-A.M.-PHONO SWITCH SECTIONS ARE VIEWED FROM DRIVING END OF SWITCH SHAFT AND ARE SHOWN IN EXTREME COUNTER-CLOCKWISE (FM) POSITION. SECTIONS MARKED "REAR" ARE TRANSPARENT VIEWS. SWITCHES ROTATE CLOCKWISE FROM FM TO A.M. TO PHONO. VOLTAGE READINGS SHOWN AT SOCKET PRONGS ARE TO CHASSIS, AND ARE TAKEN WITH NO SIGNAL, WITH F.M.-A.M.-PHONO SWITCH IN FM POSITION, AND WITH LINE VOLTAGE AT 117 VOLTS. WHERE NO READING IS GIVEN, THE VOLTAGE IS ZERO OR TOO LOW TO READ. VOLTAGE READINGS ARE TAKEN WITH A VOLTMETER HAVING A RESISTANCE OF ONE THOUSAND OHMS PER VOLT. THE PLATE VOLTAGES OF THE RECTIFIER TUBE ARE TO BE MEASURED WITH AN A.C. VOLTMETER.

THE GAIN PER STAGE VALUES AS NOTED ABOVE ARE APPROXIMATE VALUES FOR AN AVERAGE STAGE, RATHER THAN AN ABSOLUTE VALUE. A 0.1 MFD DUMMY IS USED FOR ALL MEASUREMENTS. INPUT SHALL BE KEPT AT LOWEST LEVEL NECESSARY TO MAINTAIN A STANDARD OUTPUT OF 0.5 WATT WITH THE VOLUME CONTROL FULLY ON. NOTE: THE TYPE OF EQUIPMENT USED, THE HANDLING OF THE PROBES, THE ACCURACY OF ALIGNMENT, ETC CAN AFFECT THE MEASUREMENTS.