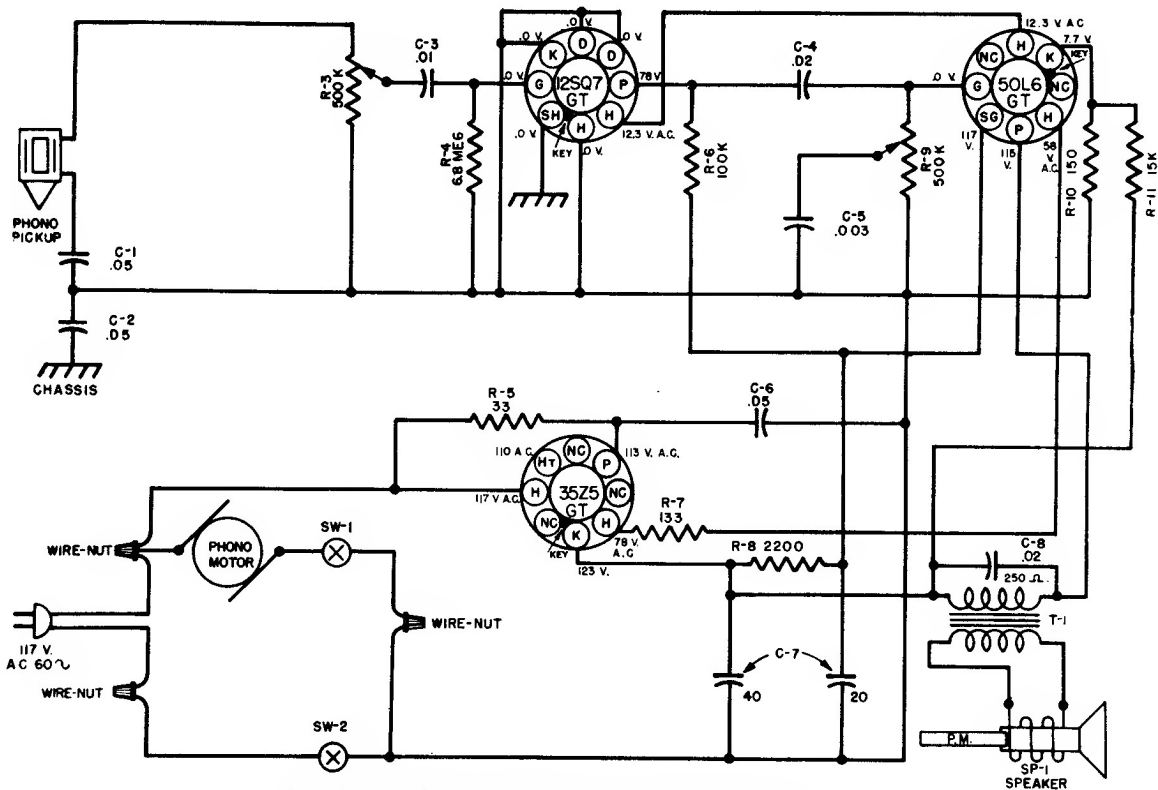


Silvertone

Sears, Roebuck & Co.
 Catalog Nos. 8153, 8153A
 Chassis 109.635, 109.635-1

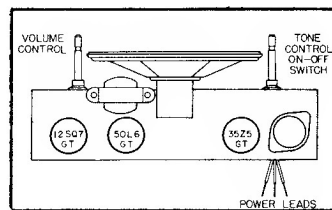
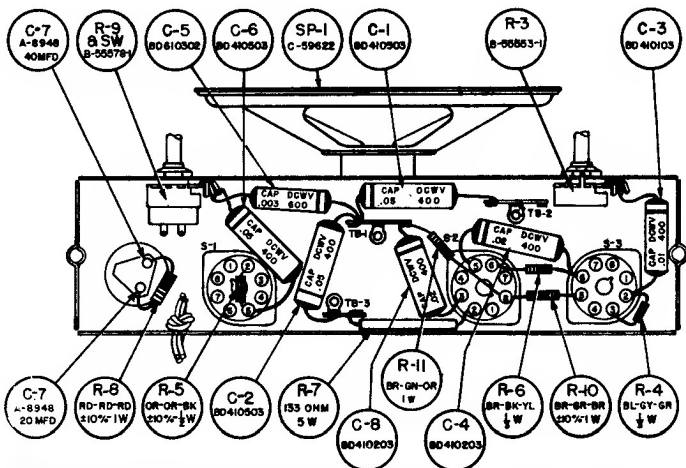


ALL TUBE SOCKETS SHOWN FROM PIN END VIEW

NOTE: ALL DC VOLTAGES MEASURED WITH A 1000 OHM PER VOLT METER FROM B- TO SOCKET CONTACT INDICATED. ALL VOLTAGES ARE POSITIVE DC UNLESS OTHERWISE MARKED. VOLUME CONTROL FULL ON. ZERO SIGNAL INPUT. TONE CONTROL IN CLOCKWISE POSITION. LINE VOLTAGE 117 VOLTS AC. RESISTANCE VALUES ARE IN OHMS UNLESS OTHERWISE NOTED. "K" EQUALS 1000 OHMS, "MEG." EQUALS 1,000,000 OHMS. CAPACITY VALUES ARE IN MICROFARADS UNLESS OTHERWISE NOTED.

Bottom View - Parts Layout

Tube Layout



Note: Only difference between Chassis 109.635 and 109.635-1 is, output transformer on chassis 109.635 is located directly behind speaker instead of as shown above.