

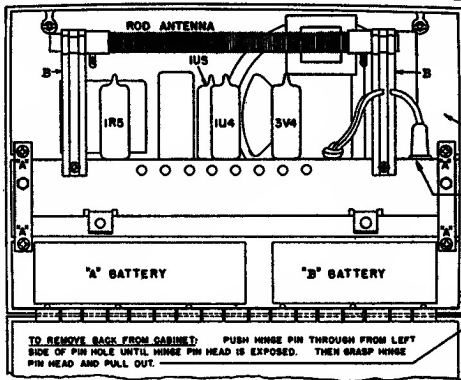
Sentinel MODEL 1U-355P

Illus. No.	Part No.	DESCRIPTION
CAPACITORS		
C-1A)	24E63	Variable (2 Gang)
C-1B)		
C-2		
C-2	23E4004-17	Ceramic Fixed, .01 MFD
C-3	23E4004-15	Ceramic Fixed, .005 MFD
C-4A)	23E2024	Ceramic Capacitor Plate
C-4B)		
C-4C)		
C-4D)	23E4000-17	Ceramic Fixed, .0001 MFD
C-5		
C-6		
C-6	23E3214	Molded Tubular, .047 MFD, 200 V.
C-7	23E2043-9	Tubular Midget, .1 MFD, 200 V.
C-8	23E2043-9	Tubular Midget, .1 MFD, 200 V.
C-9	23E4000-17	Ceramic Fixed, .0001 MFD.
C-10	25E75	Dry Electrolytic, 40-40 MFD, 150 V., 100 MFD, 10 V.
C-11	23E3416	Molded Tubular, .1 MFD, 400 V.
C-12	23E3414	Molded Tubular, .047 MFD, 400 V.
C-13	23E3214	Molded Tubular, .047 MFD, 200 V.

R-1	27E683K-1/2
R-2	27E682K-1/2
R-3	27E475M-1/2
R-4	27E475M-1/2
R-5	27E105M-1/2
R-6	27E225M-1/2
R-7	27E475M-1/2
R-8	28E83
R-9	27E474M-1/2
R-10	27E475M-1/2
R-11	27E271K-1/2
R-12	27E471K-1/2
R-13	27E331K-1/2
R-14	27E154M-1/2
R-15	27E330K-1/2
R-16A)	27E1020
R-16B)	
R-17	27E680K-1
R-18	27E105M-1/2
R-19	27E104M-1/2

RESISTORS

Carbon, 68,000 Ohm ± 10% 1/2 W
Carbon, 6,800 Ohm ± 10% 1/2 W
Carbon, 4.7 Megohm ± 20% 1/2 W
Carbon, 4.7 Megohm ± 20% 1/2 W
Carbon, 1 Megohm ± 20% 1/2 W
Carbon, 2.2 Megohm ± 20% 1/2 W
Carbon, 4.7 Megohm ± 20% 1/2 W
Control, Volume 2 Megohm with D.P.S.T.
Carbon, 470,000 Ohm ± 20% 1/2 W
Carbon, 4.7 Megohm ± 20% 1/2 W
Carbon, 270 Ohm ± 10% 1/2 W
Carbon, 470 Ohm ± 10% 1/2 W
Carbon, 330 Ohm ± 10% 1/2 W
Carbon, 150,000 Ohm ± 20% 1/2 W
Carbon, 33 Ohm ± 10% 1/2 W
Wirewound, 1550 Ohm, 4 W., 610 Ohm
Carbon, 68 Ohm, 1 W.
Carbon, 1 Megohm ± 20% 1/2 W
Carbon, 100,000 Ohm ± 20% 1/2 W



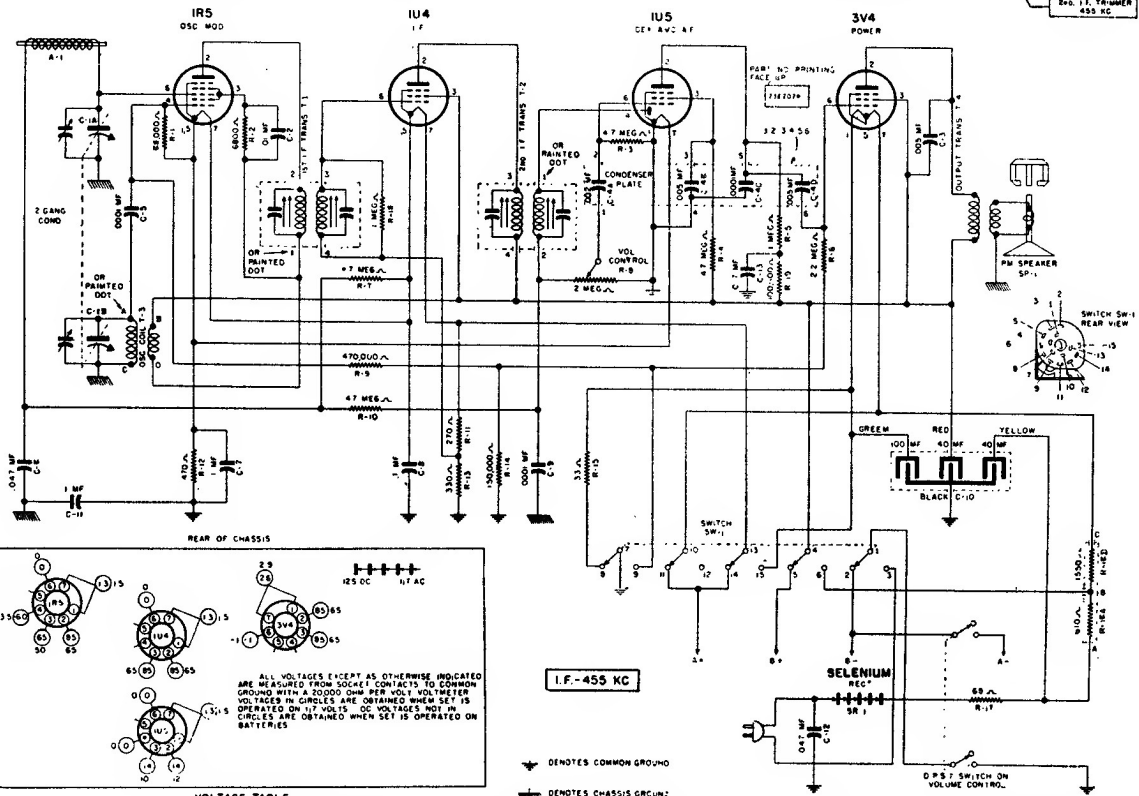
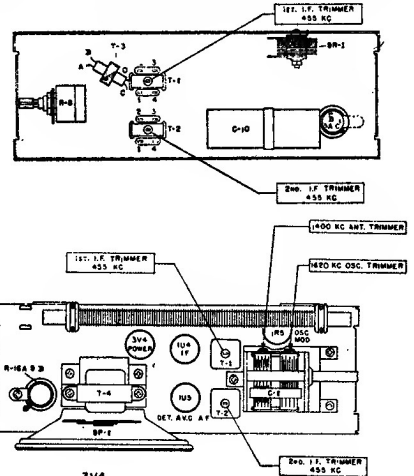
TO REMOVE CHASSIS FROM CABINET

1. Remove Dial Indicator and Volume Knob from Side of Cabinet.
2. Disconnect Battery Leads and Remove Batteries.
3. Lay Cabinet Face Down and Remove the Four Screws Marked "A."

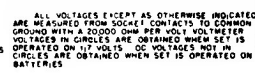
WIND EXCESS LINE CORD AND PLACE IN THIS SPACE.

FOR BATTERY OPERATION THE AC-DC LINE CORD PLUG MUST BE FIRMLY INSERTED IN THIS RECEPTACLE.

FOR AC-DC OPERATION PLACE LINE CORD IN NOTCH AND CLOSE BACK.



VOLTAGE TABLE
(REAR VIEW OF CHASSIS)



⬇ DENOTES COMMON GROUND
⬇ DENOTES CHASSIS GROUND