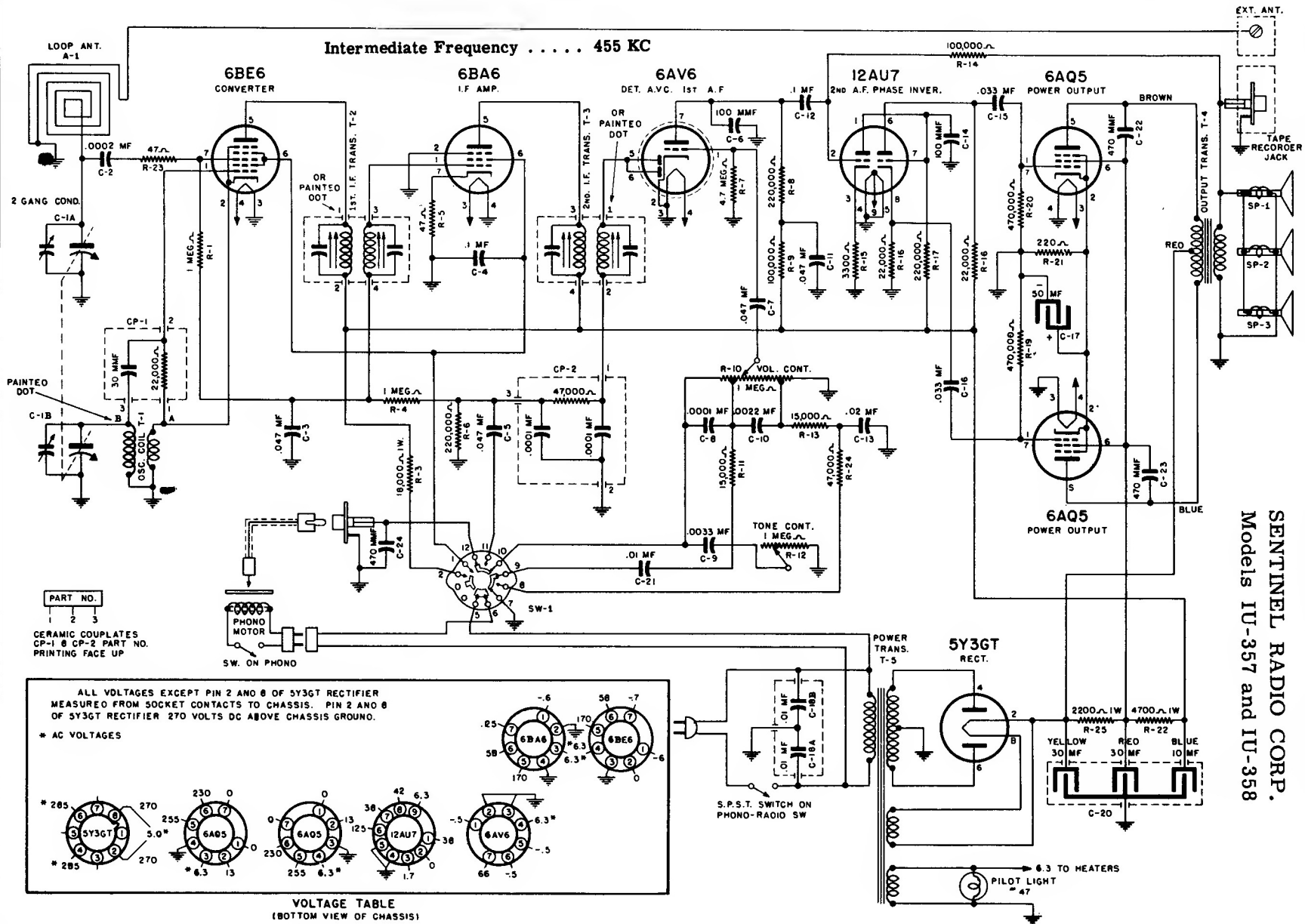


Intermediate Frequency 455 KC

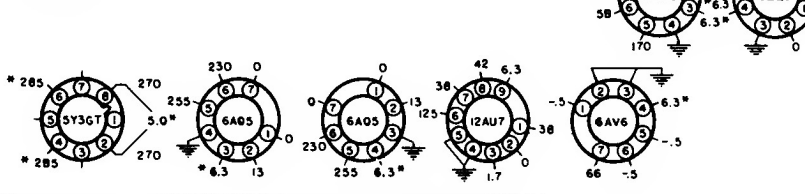


PART NO.
 1
 2
 3

CERAMIC COUPLERS
 CP-1 & CP-2 PART NO.
 PRINTING FACE UP

ALL VOLTAGES EXCEPT PIN 2 AND 8 OF 5Y3GT RECTIFIER MEASURED FROM SOCKET CONTACTS TO CHASSIS. PIN 2 AND 8 OF 5Y3GT RECTIFIER 270 VOLTS DC ABOVE CHASSIS GROUND.

* AC VOLTAGES



VOLTAGE TABLE
 (BOTTOM VIEW OF CHASSIS)

SENTINEL RADIO CORP.
 Models IU-357 and IU-358