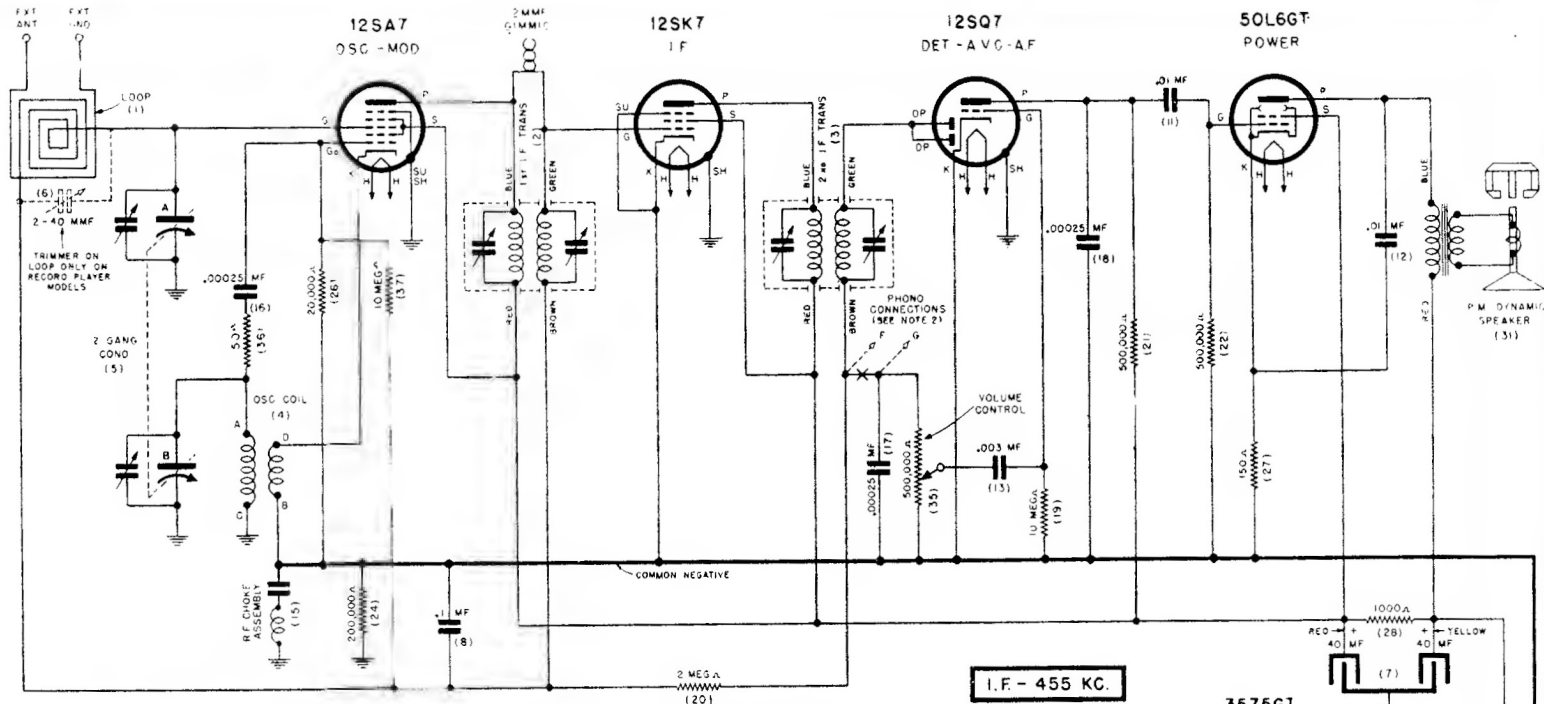


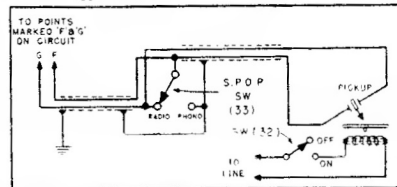
# Sentinel Radio Corporation Model 248



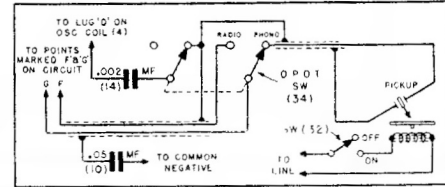
### NOTES

- 1 NUMBERS SHOWN IN PARENTHESIS ARE ILLUSTRATION NUMBERS.
- 2 CIRCUIT IS BROKEN AT 'X' ON PHONO-RADIO MODELS AND CONNECTIONS ARE MADE AS SHOWN ON PHONO DIAGRAMS BELOW.

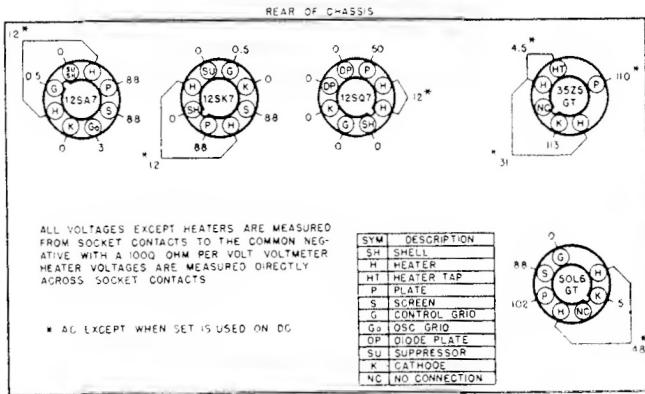
SOME MODELS HAVE A COMMON NEGATIVE AS SHOWN.  
OTHER MODELS DO NOT HAVE PARTS 15 AND 24, AND ALL CONNECTIONS TO THE COMMON NEGATIVE ARE GROUNDED DIRECTLY TO THE CHASSIS.



PHONO CIRCUIT OF RECORD PLAYERS NOT HAVING COMMON NEGATIVE



PHONO CIRCUIT OF RECORD PLAYERS HAVING COMMON NEGATIVE



ALL VOLTAGES EXCEPT HEATERS ARE MEASURED FROM SOCKET CONTACTS TO THE COMMON NEGATIVE WITH A 1000 OHM PER VOLT VOLTMETER. HEATER VOLTAGES ARE MEASURED DIRECTLY ACROSS SOCKET CONTACTS.

\* AC EXCEPT WHEN SET IS USED ON DC

SYM	DESCRIPTION
SH	SHELL
H	HEATER
HT	HEATER TAP
S	SCREEN
G	CONTROL GRID
G <sub>o</sub>	OSC GRID
OP	DIODE PLATE
SU	SUPPRESSOR
K	CATHODE
NC	NO CONNECTION

VOLTAGE TABLE  
(BOTTOM VIEW OF CHASSIS)