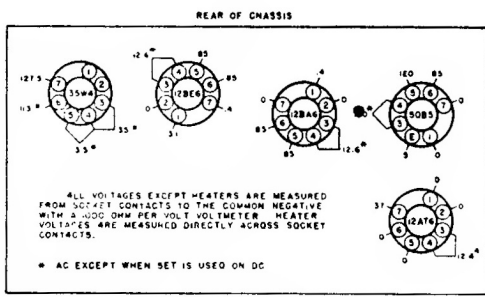
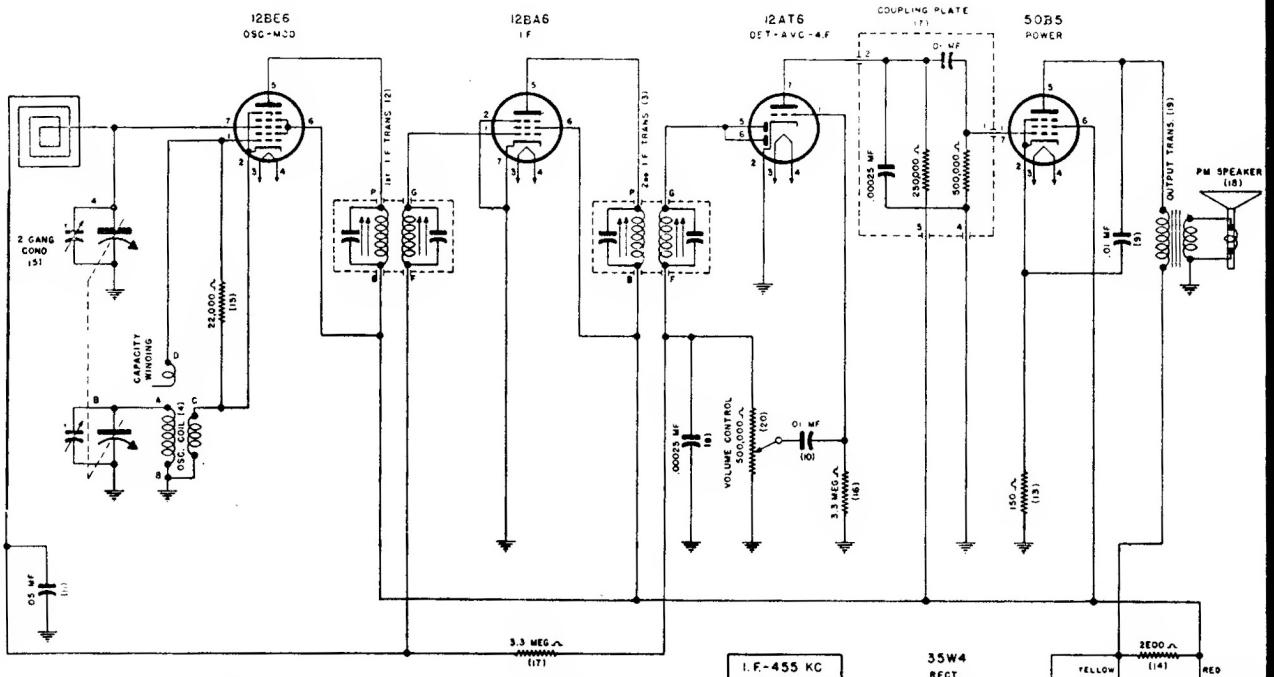
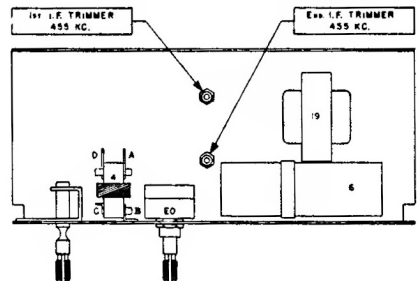
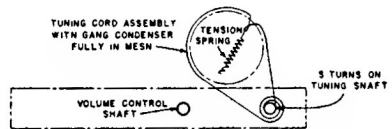
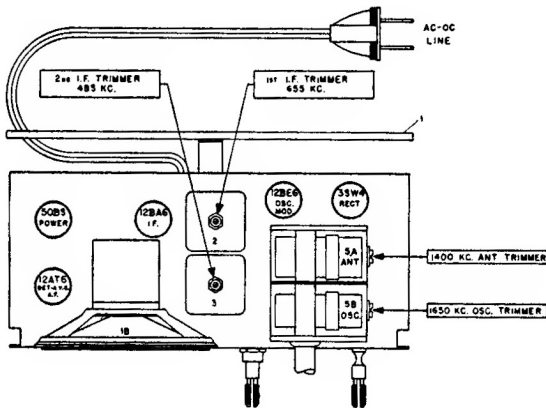


Sentinel Radio

MODELS 331-W, 331-I, 331-R AC-DC SUPERHETERODYNE RECEIVER



NOTE
NUMBERS SHOWN IN PARENTHESES ARE
ILLUSTRATION NUMBERS

ALL VOLTAGES EXCEPT HEATERS ARE MEASURED FROM SOCKET #7 CONTACTS TO THE COMMON NEGATIVE WITH A 1,000 OHM PER VOLT VOLTMETER. HEATER VOLTAGES ARE MEASURED DIRECTLY ACROSS SOCKET CONTACTS.

* AC EXCEPT WHEN SET IS USED ON DC

VOLTAGE TABLE*
(BOTTOM VIEW OF CHASSIS)

Point	AC Voltage	DC Voltage
1	127.5	12.4
2	12.4	3.5
3	12.4	3.1
4	12.4	3.7
5	12.4	12.4
6	12.4	12.4
7	12.4	12.4
8	12.4	12.4
9	12.4	12.4
10	12.4	12.4
11	12.4	12.4
12	12.4	12.4
13	12.4	12.4
14	12.4	12.4
15	12.4	12.4
16	12.4	12.4
17	12.4	12.4
18	12.4	12.4
19	12.4	12.4
20	12.4	12.4
21	12.4	12.4
22	12.4	12.4
23	12.4	12.4
24	12.4	12.4
25	12.4	12.4
26	12.4	12.4
27	12.4	12.4
28	12.4	12.4
29	12.4	12.4
30	12.4	12.4
31	12.4	12.4
32	12.4	12.4
33	12.4	12.4
34	12.4	12.4
35	12.4	12.4
36	12.4	12.4
37	12.4	12.4
38	12.4	12.4
39	12.4	12.4
40	12.4	12.4
41	12.4	12.4
42	12.4	12.4
43	12.4	12.4
44	12.4	12.4
45	12.4	12.4
46	12.4	12.4
47	12.4	12.4
48	12.4	12.4
49	12.4	12.4
50	12.4	12.4
51	12.4	12.4
52	12.4	12.4
53	12.4	12.4
54	12.4	12.4
55	12.4	12.4
56	12.4	12.4
57	12.4	12.4
58	12.4	12.4
59	12.4	12.4
60	12.4	12.4
61	12.4	12.4
62	12.4	12.4
63	12.4	12.4
64	12.4	12.4
65	12.4	12.4
66	12.4	12.4
67	12.4	12.4
68	12.4	12.4
69	12.4	12.4
70	12.4	12.4
71	12.4	12.4
72	12.4	12.4
73	12.4	12.4
74	12.4	12.4
75	12.4	12.4
76	12.4	12.4
77	12.4	12.4
78	12.4	12.4
79	12.4	12.4
80	12.4	12.4
81	12.4	12.4
82	12.4	12.4
83	12.4	12.4
84	12.4	12.4
85	12.4	12.4
86	12.4	12.4
87	12.4	12.4
88	12.4	12.4
89	12.4	12.4
90	12.4	12.4
91	12.4	12.4
92	12.4	12.4
93	12.4	12.4
94	12.4	12.4
95	12.4	12.4
96	12.4	12.4
97	12.4	12.4
98	12.4	12.4
99	12.4	12.4
100	12.4	12.4

