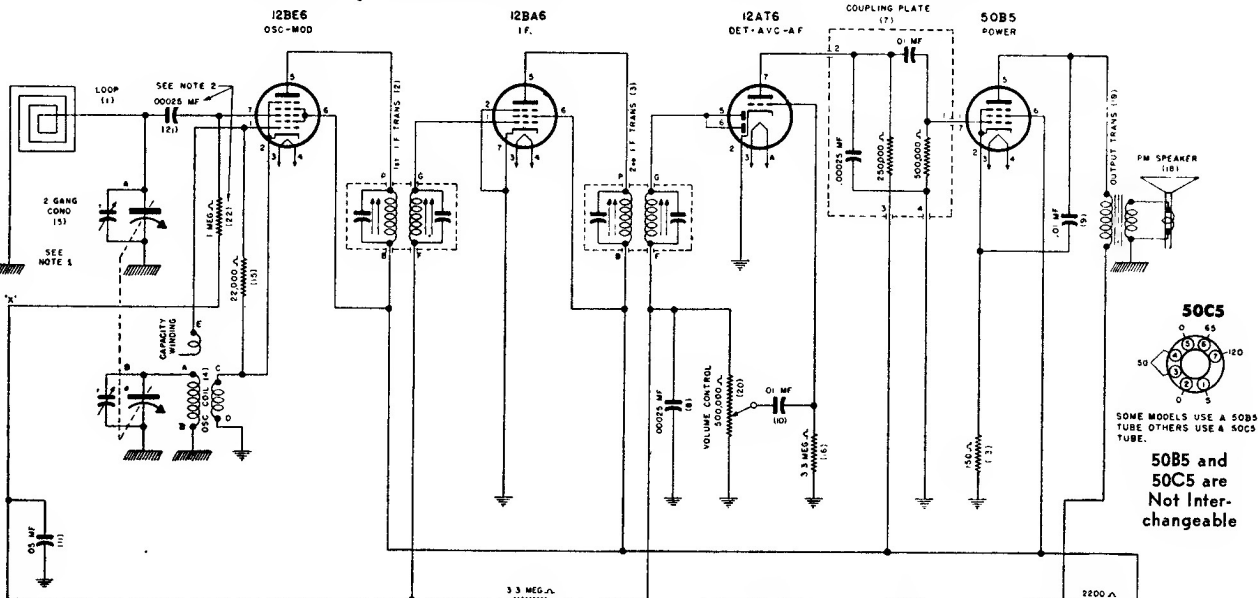
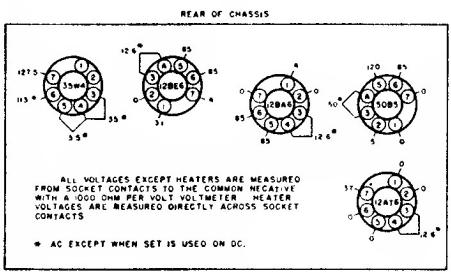


Sentinel Radio

MODELS 338-W, 338-I, 338-R,
1U338-W, 1U338-I, 1U338-R,

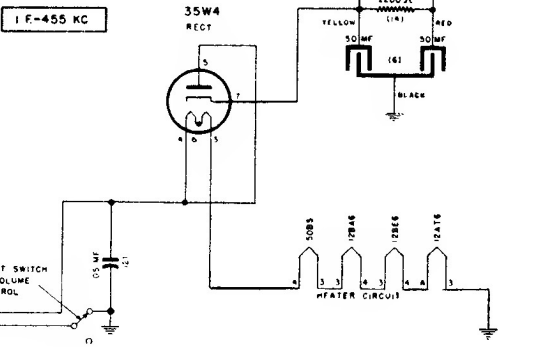


50C5
SOME MODELS USE A 50B5 TUBE OTHERS USE A 50C5 TUBE.
50B5 and 50C5 are Not Interchangeable



VOLTAGE TABLE
(BOTTOM VIEW OF CHASSIS)

NOTE
NUMBERS SHOWN IN PARENTHESIS ARE ILLUSTRATION NUMBERS
.2 MF USED IN MODEL 1U-338 ONLY
DENOTES CHASSIS GROUND
DENOTES COMMON GROUND



NOTE 1: Connected as shown in Model 1U338 only. Loop return connected to A.V.C. at point X in Model 338.
NOTE 2: Items with illustration numbers (21) and (22) used in 1U338 only. Loop and gang connected directly to pin #7 on 12BE6 in Model 338.

TO SERVICE TUBES, it is necessary to remove the cabinet back by gently pulling out the two trimount studs, used to hold the back to the cabinet, and detaching the two leads from the loop.

Before remounting the back on the cabinet, be sure to properly reconnect these leads. The green-white wire must be attached to the terminal which has the word "GREEN" printed close to it.

NOTE
50B5 and 50C5 are Not Interchangeable

