

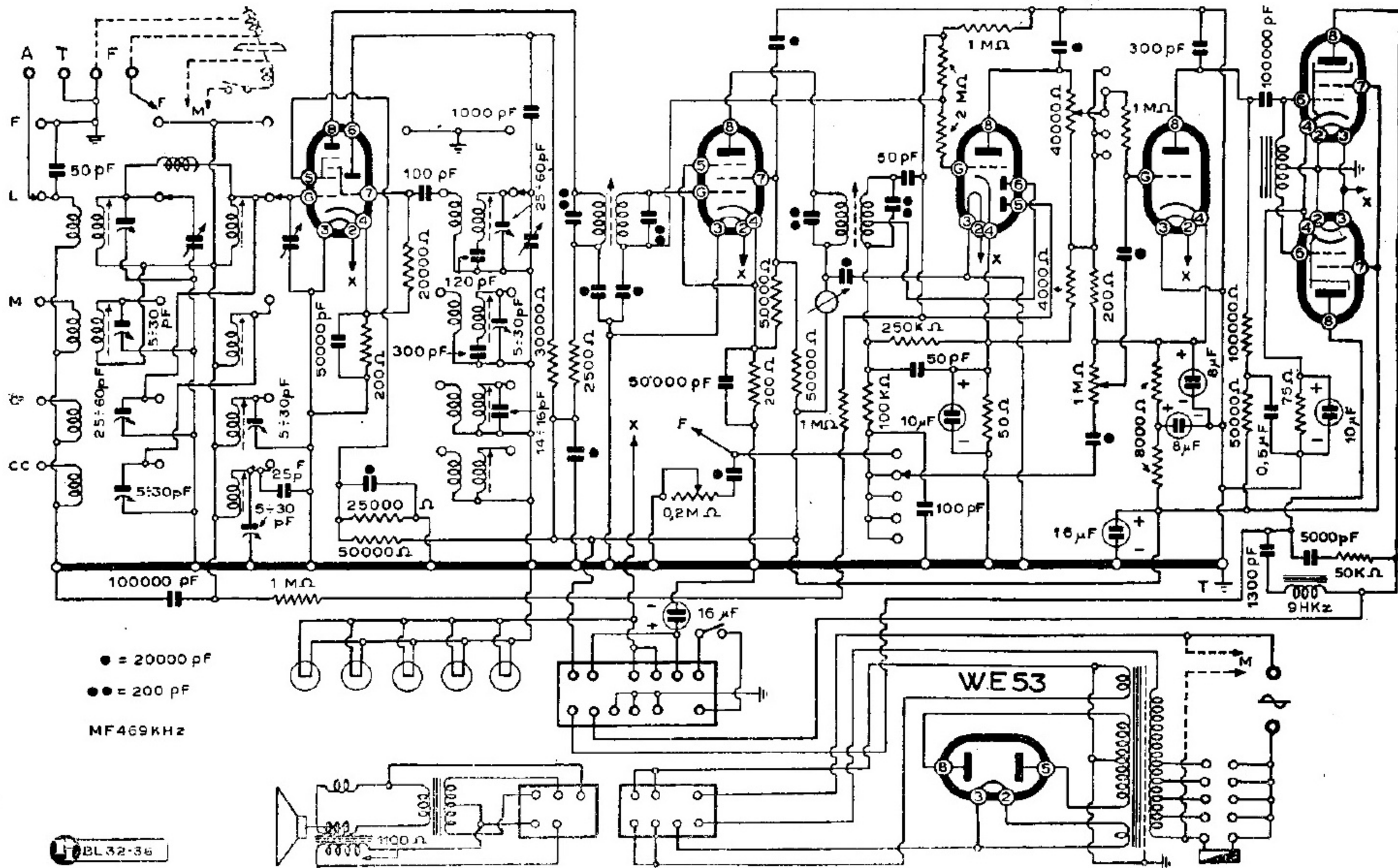
WE 43

WE 33

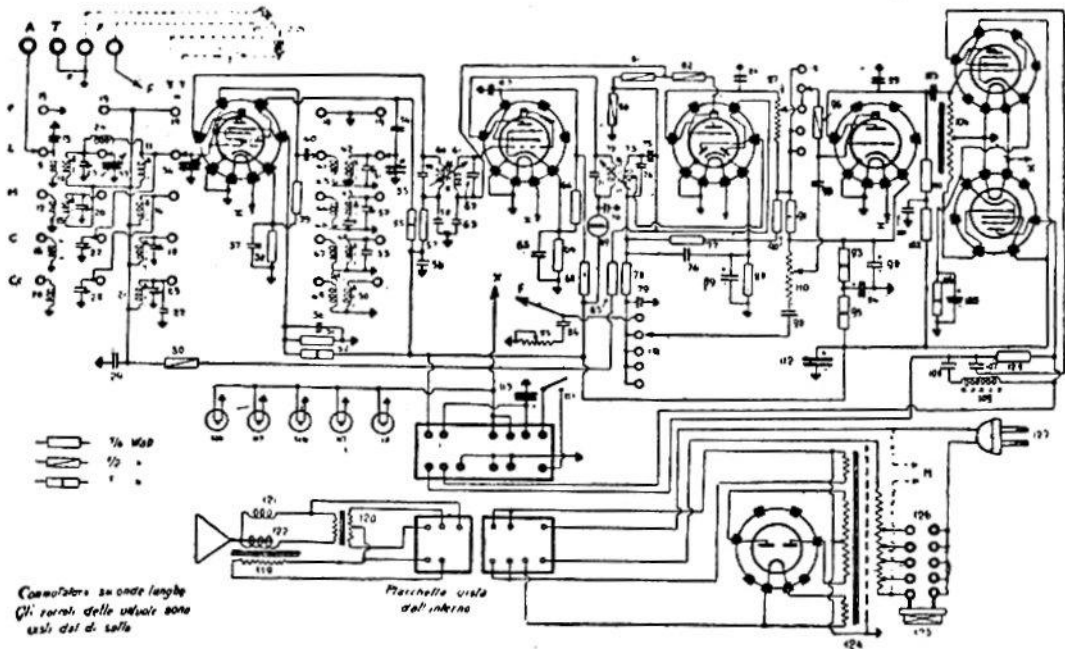
WE 37

WE 39

WE 38



SIEMENS S. A. - MODD. « T 779 » « T 783 »



SCHEMA ELETTRICO DEL TELEFUNKEN 779-783

TELEFUNKEN-RADIO (S. A. SIEMENS) Modello 779 e 783 Fono. — Produzione 1938-39. —
 Gamme: cc. (13,5-40), c. (36-80), m. (200-800), l. (800-2000). — Media frequenza: 469 kHz.

TELEFUNKEN 779-783

VALVOLE: 1) WE 43 1) WE 33 1) WE 37 1) WE 39 1) WE 38 1) WE 38 1) WE 53
 VALORI CONDENSATORI E RESISTENZE

15	50 pF	52	5-30 pF	75	50 pF	92	8 MF
18	5-30 pF	53	14-18 pF	76	50 pF	93	8000 ohm
22	25 pF	54	1000 pF	77	250 K · ohm.	94	8 MF
23	5-30 pF	55	30000 ohm	78	100 K · ohm	95	8000 ohm
25	25-80 pF	56	20000 pF	79	100 pF	96	1 M · ohm
26	5-30 pF	57	2500 ohm	80	1 M · ohm	97	20000 pF
27	25-60 pF	58	20000 pF	81	2 M · ohm	98	20000 pF
28	5-30 pF	59	200 pF	82	2 M · ohm	99	300 pF
29	100000 pF	62	200 pF	83	2 M · ohm	100	100000 ohm
30	1 M · ohm	63	20000 pF	84	20 pF	101	0,5 MF
31	25000 ohm	64	200 ohm	85	0,2 M · ohm	102	50000 ohm
32	50 ohm	65	5000 pF	86	20000 pF	103	100000 pF
36	20000 pF	66	50000 ohm	87	40000 ohm	105	10 MF
37	50000 pF	67	20000 pF	88	50 ohm	106	75 ohm
38	200 ohm	68	50000 ohm	89	10 MF	107	5000 pF
39	20000 ohm	70	20000 pF	90	4000 ohm	108	1300 pF
40	100 pF	71	200 pF	91	200 ohm	112-113	16 MF
51	25-80 pF	74	200 pF				