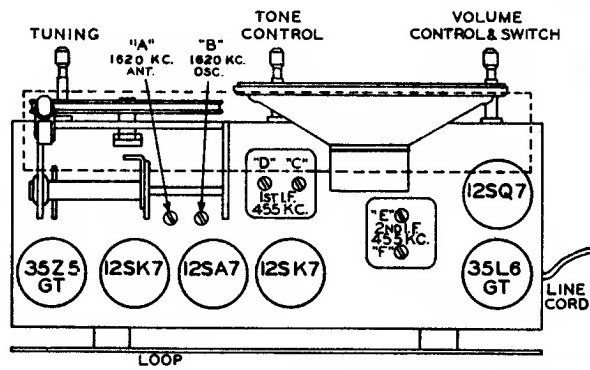


NOTE: VOLTAGES SHOWN ARE FROM TERMINAL TO BUSS. HEATER VOLTAGES ARE AC WHEN LINE VOLTAGE IS ALTERNATING.

DIAG. NO.	PART NO.	DESCRIPTION	DIAG. NO.	PART NO.	DESCRIPTION
C1	N-1342	50 MMF MICA 20%	R6	N-4082	3.3 MEGOHM .5W 20%
C2	N-1345	.05 MFD 200V. 20%	R7	N-4083	47,000 OHM .5W 20%
C3	N-1345	.05 MFD 200V. 20%	R8	N-5026	0.5 MEGOHM VOL. CONT.
C4	N-2383	150 MMF MICA 20%	R9	N-4081	47 MEGOHM .5W 20%
C5	N-1374	100 MMF MICA 20%	R10	N-4027	470,000 OHM .5W 20%
C6	N-4894	.005 MFD 600V. -15+40%	R11	N-4067	180 OHM .5W 10%
C7	N-4890	.0005 MFD 600V. -25+60%	R12	N-4988	220,000 OHM .5W INS. 20%
C8	N-1344	.01 MFD 400V. 20%	R13	N-5623	1500 OHM 1W 10%
C9	N-1344	.01 MFD 400V. 20%	R14	N-4022	33 OHM .5W 20%
C10	N-3658	40 MFD 150 W.V. ELECTRO	R15	N-4628	33 OHM 1W 10%
C11	N-3658	40 MFD 150 W.V. LYTC	R16	N-4026	220,000 OHM .5W 20%
C12	N-1346	.05 MFD 400V. 20%	R17	N-4022	33 OHM .5W 20%
C13	N-5160	.2 MFD 200V -10+10%	R18	N-4066	470 OHM .5W 10%
C14	N-1346	.05 MFD 400V. 20%			
C15	N-1351	.1 MFD 200V. -10+20%	1	N-5374	LOOP COIL
C16	N-1342	50 MMF MICA 20%	2	N-4942	TONE SWITCH
R1	N-5351	22,000 OHM .5W INS 20%	3	N-4872	1ST I.F. TRANSFORMER
R2	N-4276	4,700 OHM .5W 10%	4	N-5571	2ND I.F. TRANSFORMER
R3	N-4087	47,000 OHM .5W INS 20%	5	N-4875	OUTPUT TRANSFORMER
R4	N-5351	22,000 OHM .5W INS 20%	6	N-4868	"S" SPEAKER
R5	N-5624	15 MEGOHM .5W INS 20%	7	N-5640	PERMEABILITY TUNER
			8	N-5552	2 SECTION TRIMMER

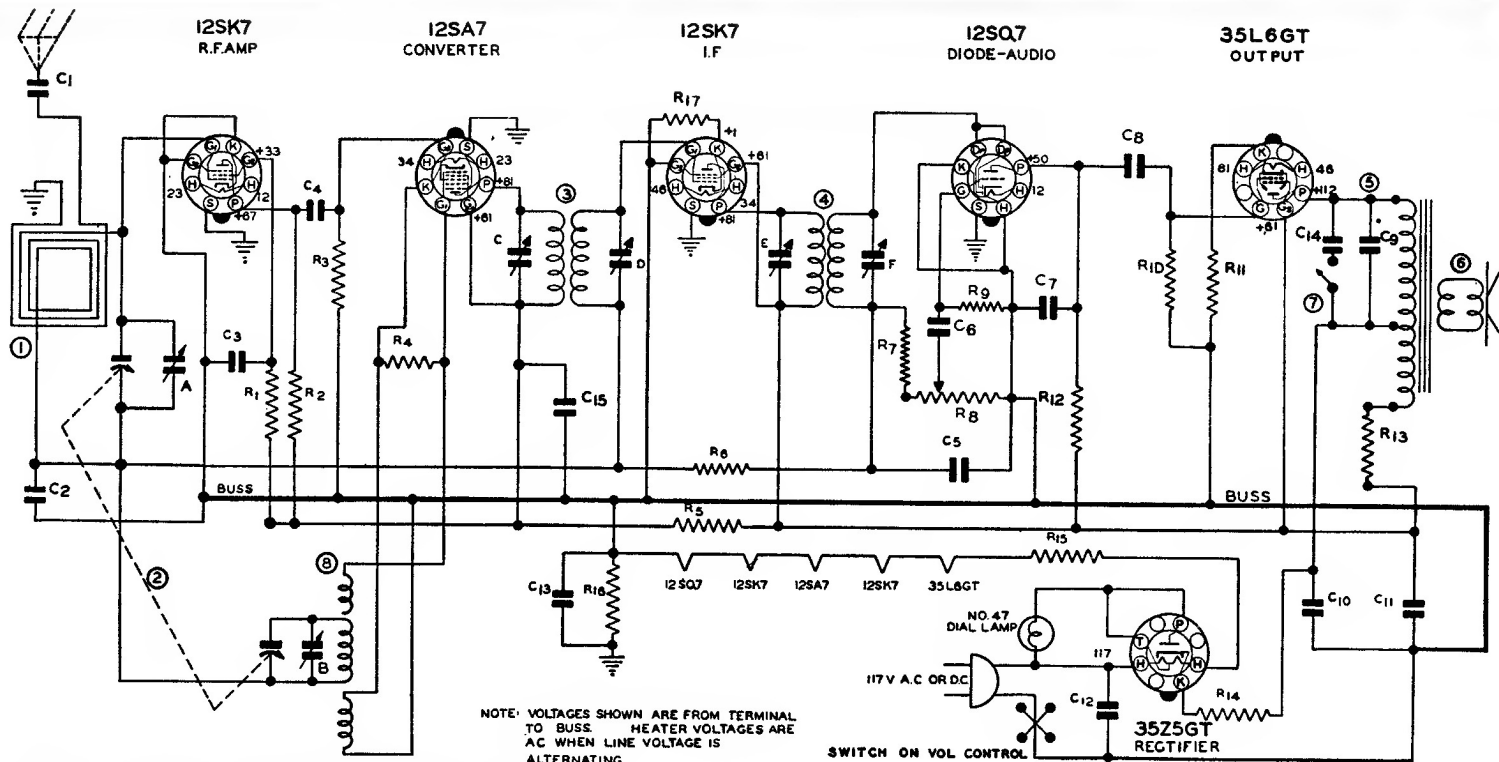


TUBE & TRIMMER LOCATIONS

I.F. 455 KC.



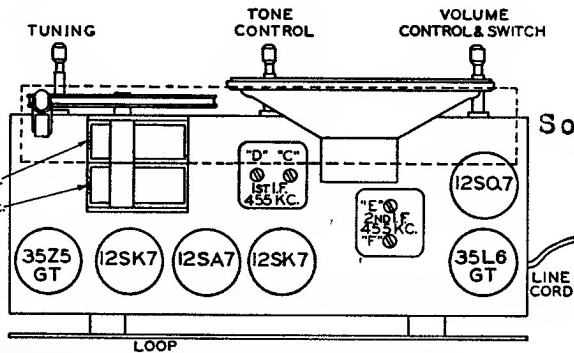
Models RQ/RQU (222)



DIAG. NO.	PART NO.	DESCRIPTION	DIAG. NO.	PART NO.	DESCRIPTION	
C1	N-1344	.01 MFD 400V. 20%	R6	N-1262	1 MEGOHM .5W. 20%	
C2	N-1345	.05 MFD 200V. 20%	R7	N-4063	47,000 OHM .5W. 20%	
C3	N-1345	.05 MFD 200V. 20%	R8	N-5026	0.5 MEGOHM VOL. CONT.	
C4	N-2363	150 MMFD MICA 20%	R9	N-4061	47 MEGOHM .5W. 20%	
C5	N-1374	100 MMFD MICA 20%	R10	N-4027	47,000 OHM .5W. 20%	
C6	N-4894	.005 MFD 600V -15+40%	R11	N-4067	180 OHM .5W. 10%	
C7	N-4890	.0005 MFD 600V -25+60%	R12	N-4988	220,000 OHM .5W. INS. 20%	
C8	N-1344	.01 MFD 400V. 20%	R13	N-4900	1200 OHM 1W. 10%	
C9	N-1344	.01 MFD 400V. 20%	R14	N-4022	33 OHM .5W. 20%	
C10	N-3658	40 MFD 150 W.V. ELECTRO	R15	N-4626	33 OHM 1W. 10%	
C11	N-3658	40 MFD 150 W.V. LYTIC	R16	N-4026	220,000 OHM .5W. 20%	
C12	N-1346	.05 MFD 400V. 20%	R17	N-5857	62 OHM .5W. 10%	
C13	N-5190	.2 MFD 200V-10+10%	1	N-5937	LOOP COIL	
C14	N-1346	.05 MFD 400V. 20%	2	N-5286	2 GANG CONDENSER	
C15	N-1351	.1 MFD 200V-10+20%	3	N-5765	LOOP COIL	
R1	N-4063	47,000 OHM .5W. 20%	4	N-5936	2 GANG CONDENSER	
R2	N-4896	2200 OHM .5W. 10%	5	N-4872	1ST I.F. TRANSFORMER	
R3	N-4067	47,000 OHM .5W. INS. 20%	6	N-5571	2ND I.F. TRANSFORMER	
R4	N-5351	22,000 OHM .5W. INS. 20%	7	N-4875	OUTPUT TRANSFORMER	
R5	N-4066	470 OHM .5W. 10%	8	N-4868	5" SPEAKER	
				9	N-4942	TONE SWITCH
				10	N-4810	OSCILLATOR COIL

NOTE: VOLTAGES SHOWN ARE FROM TERMINAL TO BUSS. HEATER VOLTAGES ARE AC WHEN LINE VOLTAGE IS ALTERNATING

SWITCH ON VOL CONTROL



TUBE & TRIMMER LOCATIONS

I.F. 455 KC.

Sonora Radio & Television
Model RZ/RZU (222)