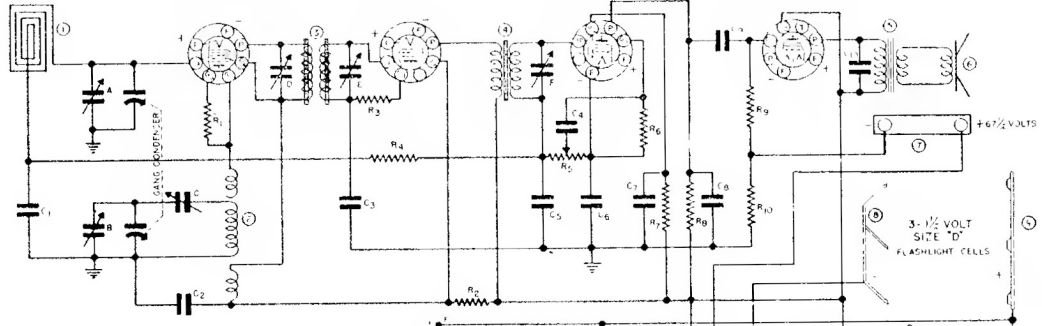
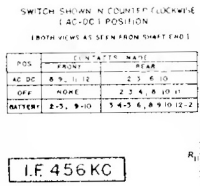


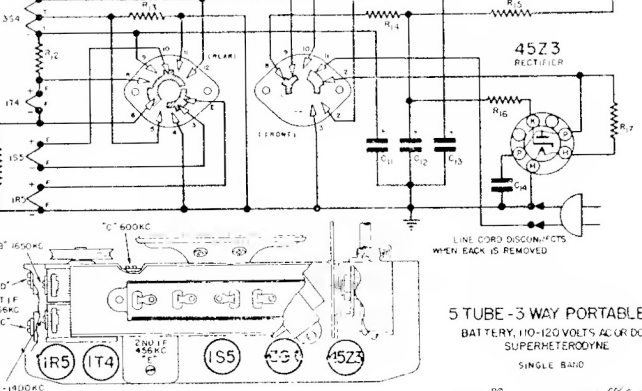
IR5 CONVERTER IT4 I.F. IS5 AUDIO 354 OUTPUT



DISC NO	PART NO	DESCRIPTION
R1	N-1778	100000 OHM 5W 20%
R2	N-4278	4700 OHM 5W 10%
R3	N-2653	10 MEGOHM 5W 20%
R4	N-4277	2.2 MEGOHM 5W 20%
R5	N-4210	1 MEGOHM VOLUME CONTROL
R6	N-4008	6.8 MEGOHM 5W 20%
R7	N-4062	3.3 MEGOHM 5W 20%
R8	N-4162	1 MEGOHM 5W 20%
R9	N-4277	2.2 MEGOHM 5W 20%
R10	N-4279	820 OHM 5W 10%
R11	N-4278	470 OHM 5W 10%
R12	N-4085	56 OHM 5W 10%
R13	N-4281	1800 OHM 5W 10%
R14	N-4065	2200 OHM 5W 10%
R15	N-4222	1870 OHM 4.8W 5%
R16	N-4222	82 OHM 1.5W 10%
R17	N-4222	1000 OHM 5.6W 10%
C1	N-4193	2 GANG CONDENSER
C2	N-4296	LOOP ANTENNA (W/POB)
C3	N-4251	LOOP ANTENNA (PLASTIC)
C4	N-4257	OSCILLATION COIL
C5	N-4100	1ST I.F. TRANSFORMER
C6	N-4251	2ND I.F. TRANSFORMER
C7	N-4256	OUTPUT TRANSFORMER
C8	N-4253	3 1/2" P.W. SPEAKER
C9	N-4214	BATTERY CONSOLE FOR
C10	N-4220	A BATTERY SPRING CONTACT (NEGATIVE)
C11	N-4222	A BATTERY CONTACT (POSITIVE)
C12	N-4215	CHANGEOVER SWITCH



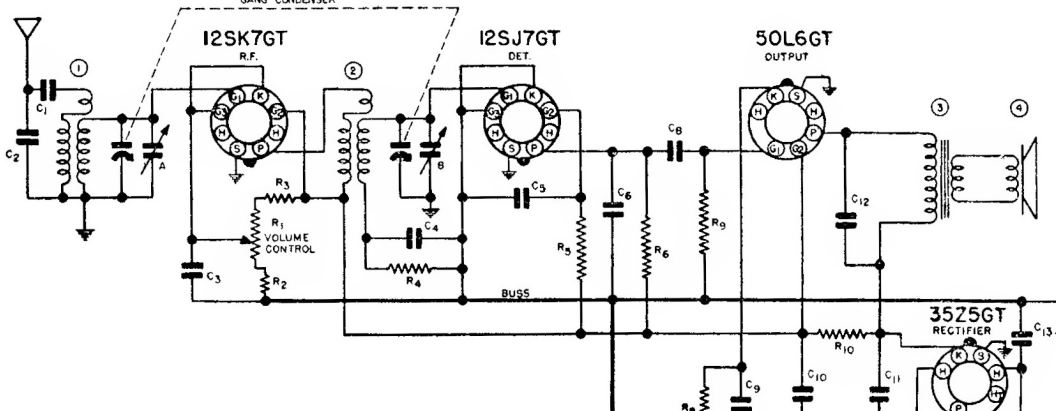
DIAG NO	PART NO	DESCRIPTION
C1	N-1345	05 MFD 200 V
C2	N-1345	05 MFD 200 V
C3	N-1346	01 MFD 400 V
C4	N-2712	004 MFD 400 V
C5	N-1351	0001 MFD (KINDA I.F. COIL)
C6	N-1351	1 MFD 200 V
C7	N-1344	01 MFD 400 V
C8	N-1342	50 MFD MICA
C9	N-1344	01 MFD 400 V
C10	N-2712	004 MFD 400 V
C11	N-4206	100 MFD 12V
C12	N-4206	30 MFD 50V, ELECTROLYTIC
C13	N-4206	30 MFD 150V
C14	N-1346	05 MFD 400 V



TUBE AND TRIMMER LOCATIONS

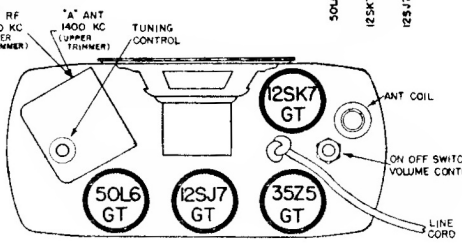
5 TUBE - 3 WAY PORTABLE
BATTERY, 110-125 VOLTS AC OR DC
SUPERHETERODYNE
SINGLE BAND
DRAWN *SK* APP. *2.10.40*
MAY 1941

GANG CONDENSER



DIAG NO	PART NO	DESCRIPTION	DIAG NO	PART NO	DESCRIPTION
C1	N-1344	01 MFD 400 V	R1	N-3728	25,000 OHM VOL. CONT
C2	N-1345	20 MMFD BUILT IN	R2	N-1610	10 OHM 20% .5W
C3	N-1345	05 MFD 200 V	R3	N-1684	75,000 OHM 20% .5W
C4	N-1345	05 MFD 200 V	R4	N-1610	3.5 MEG 20% .5W
C5	N-1344	01 MFD 400 V	R5	N-1835	6 MEG 20% .5W
C6	N-1374	100 MFD MICA	R6	N-1262	1 MEG 20% .5W
C7	N-2642	09 MFD 200 V 20% USED ON MODEL KFU ONLY	R7	N-1378	2 MEG 20% .5W USED ON MODEL KEU ONLY
C8	N-1344	01 MFD 400 V	R8	N-1787	250 OHM 10% .5W
C9	N-1345	20 MFD 25V	R9	N-1264	5 MEG 20% .5W
C10	N-3734	15 MFD 150 V ELECTROLYTIC	R10	N-1417	3000 OHM 20% .5W
C11	N-1344	01 MFD 400 V	R11	N-1618	80 OHM 10% 2.5W
C12	N-1344	01 MFD 400 V	R12	N-1742	25 OHM 20% .5W
C13	N-1346	05 MFD 400 V			
	N-3731	GANG CONDENSER			

ON MODEL KF ALL POINTS SHOWN CONNECTED TO BUSS ARE CONNECTED DIRECTLY TO CHASSIS



Sonora
4 TUBE T.R.F.

DRWN *SK* APP. *2.10.40*
9-10-40