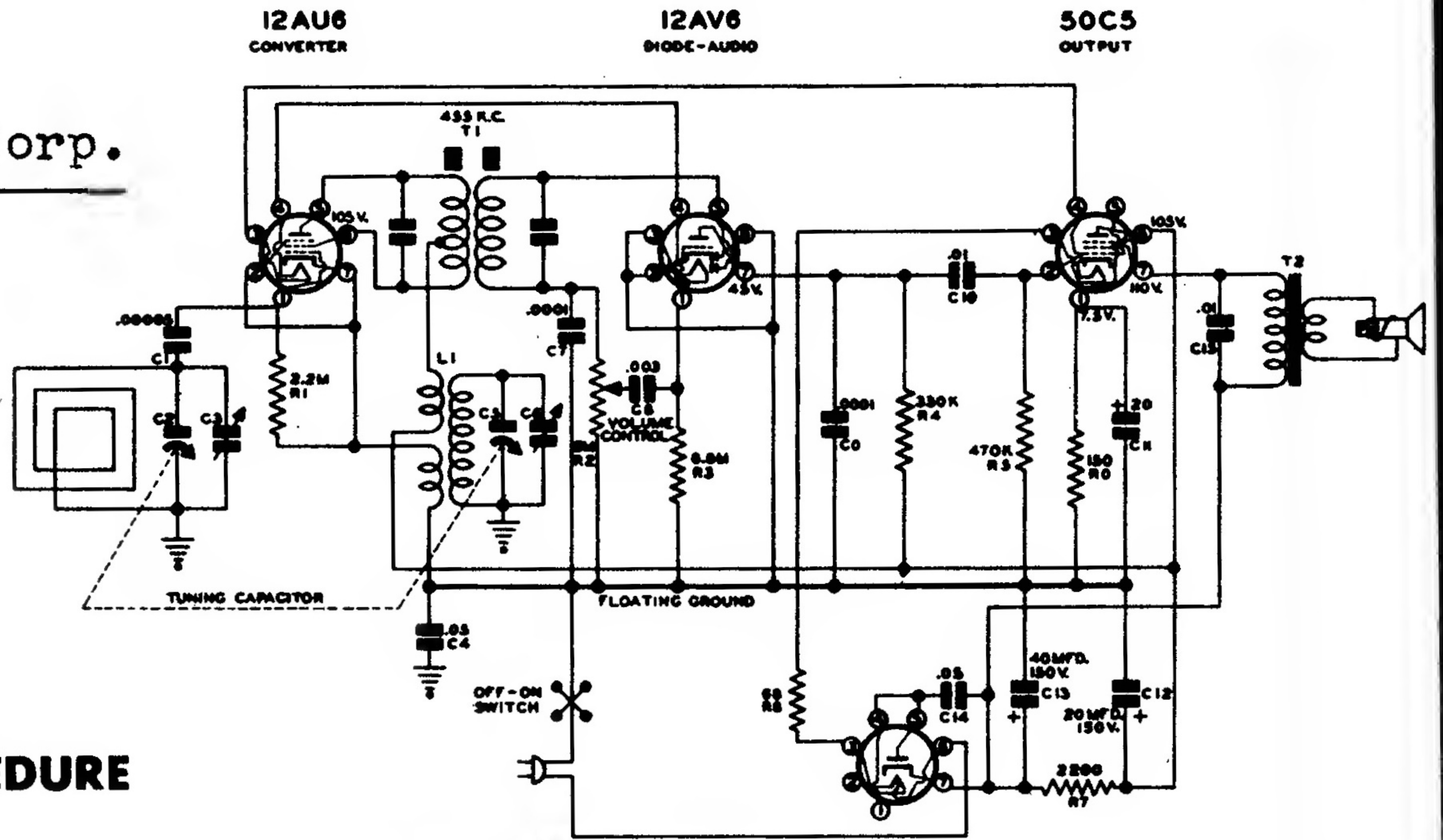


Sonora Radio & Television Corp.

Models 299 (Walnut)
and 300 (Ivory).



ALIGNMENT PROCEDURE

Step No.	Position of Gang	Signal Generator Frequency	Generator Connection	Dummy Antenna	Adjustment	Type of Adjustment	Schematic Location	Sonora Part No.	DESCRIPTION
1.	Open	455 KC.	Rear Gang Terminal	.1 Mfd.	Slugs Top and Bottom in can.	Adjust for Maximum Output	C1 C4 C7, C9 C8 C10, C15	N-6385 N-1345 N-6015 N-2063 N-1344	Condenser, Ceramic 50 MMFD. 500V. Condenser, Paper .05 MFD. 200V. Condenser, Ceramic 100 MMFD. 500V. Condenser, Paper .003 MFD. 600V. Condenser, Paper .01 MFD. 400V.
2.	Open	1620 KC.	Dummy Antenna	2 Turns of Hookup Wire 6" in Dia. (Place Approx. a Foot from and in Same Plane as Loop)	Front Gang Trimmer	Adjust for Maximum Output	C11 C12 C13	N-7153	Electrolytic { 20 MFD. 15V. 20 MFD. 150V. 40 MFD. 150V.
3.	1400 KC	1400 KC			Rear Gang Trimmer	Adjust for Maximum Output	C14 R1	N-1346 N-4277	Condenser, Paper .05 MFD. 400V. Resistor 2.2 Megohm 1/2W 20% Volume Control—2.0 Megohm
4.	600 KC	600 KC			—	Check Gang Alignment	R2 R3 R4 R5 R6 R7 R8 T1 L1	N-7142 N-4028 N-4423 N-4027 N-4067 N-4896 N-6014 N-7694 N-7725 N-7670 N-7141 N-7824	Resistor 6.8 Megohm 1/2W 20% Resistor 330,000 Ohm 1/2W 20% Resistor 470,000 Ohm 1/2W 20% Resistor 180 Ohm 1/2W 10% Resistor 2,200 Ohm 1/2W 10% Resistor 68 Ohm 2.0W 10% Transformer, I.F. Oscillator Coil Loop Antenna Coil Variable Capacitor Speaker, 4" PM with Output Transformer

ALIGNMENT PROCEDURE

STEP NO.	POSITION OF GANG	SIGNAL GENERATOR FREQUENCY	GENERATOR CONNECTION	DUMMY ANTENNA	TYPE OF ADJUSTMENT	ADJUSTMENT
1.	OPEN	455 KC.	REAR GANG TERMINAL.	.1MFD.	T2, C9 & C8	ADJUST FOR MAXIMUM OUTPUT
2.	OPEN	1620 KC.	LOOP	.0002 MFD.	FRONT GANG TRIMMER	ADJUST FOR MAXIMUM OUTPUT
3.	1400 KC.	1400 KC.	LOOP	.0002 MFD.	REAR GANG TRIMMER	ADJUST FOR MAXIMUM OUTPUT
4.	600 KC	600 KC.	LOOP	.0002 MFD.		CHECK GANG ALIGNMENT

Sonora Radio Model 306

DESCRIPTION

C19, C20	Capacitor - Electrolytic - 40 MFD. 150 V. 40 MFD. 150 V.
C5, C11	Capacitor - Ceramic 100 MMFD. 500V. 20%
C12	Capacitor - Ceramic 100 MMFD. 500V. 10%
C15	Capacitor - Ceramic 250 MMFD. 500V. 20%
C13	Capacitor - Paper .005 MFD. 600V.
C16	Capacitor - Paper .01 MFD. 400V.
C18	Capacitor - Paper .02 MFD. 400V.
C6, C7, C14	Capacitor - Paper .05 MFD. 200V.
C21	Capacitor - Paper .05 MFD. 400V.
C10	Capacitor - Paper .09 MFD. 200V.
C17	Capacitor - Paper .1 MFD. 400V.
R5	Control - On-Off & Volume
R12	Control - Tone
R14	Resistor - 33 Ohm - 1/2W. 20%
R10	Resistor - 180 Ohm - 1/2W. 10%
R1	Resistor - 22,000 Ohm - 1/2W. 20%
R9	Resistor - 33,000 Ohm - 1/2W. 20%
R4	Resistor - 47,000 Ohm - 1/2W. 20%
R2, R8	Resistor - 220,000 Ohm - 1/2W. 20%
R11	Resistor - 470,000 Ohm - 1/2W. 20%
R3, R6	Resistor - 1.0 Megohm - 1/2W. 20%
R7	Resistor - 6.8 Megohm - 1/2W. 20%
R13	Resistor - 1,000 Ohm - 1.0W. 10%
T1	Transformer - I.F. #1
T2	Transformer - I.F. #2
T3	Transformer - Output

