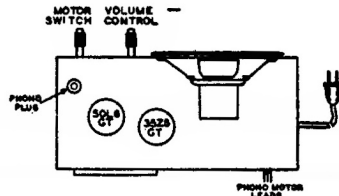


Models
RWF/RWPU (78 & 238)

PART NO.	DESCRIPTION	PART NO.	DESCRIPTION
R1	150 OHM 5% RES. 10%	①	2" PU DYNAMIC SPKR
R2	100K OHM 5% VOL. CONTROL	②	2N25GT OUTPUT TRANS.
R3	470 OHM 5% RES. 10%	③	PHONO 150TMR
R4	150 OHM 5% RES. 10%	④	PHONO 150TMR
R5	200 OHM 5% RES. 10%	⑤	MOTOR SWITCH
C1	50 MFD. 50V	⑥	PHONO PICKUP
C2	50 MFD. 50V		
C3	50 MFD. 50V		
C4	50 MFD. 50V		
C5	50 MFD. 50V		
C6	50 MFD. 50V		

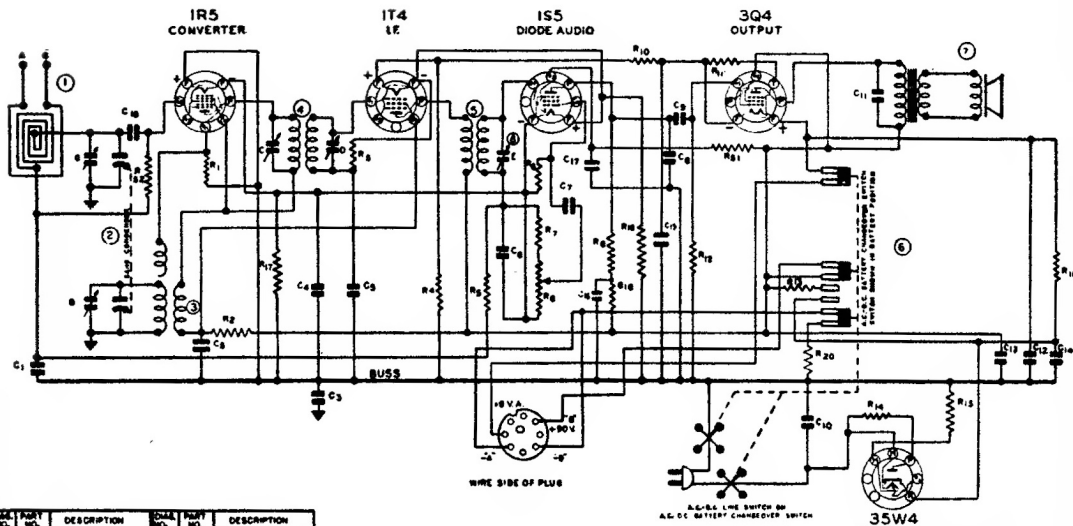


ALIGNMENT

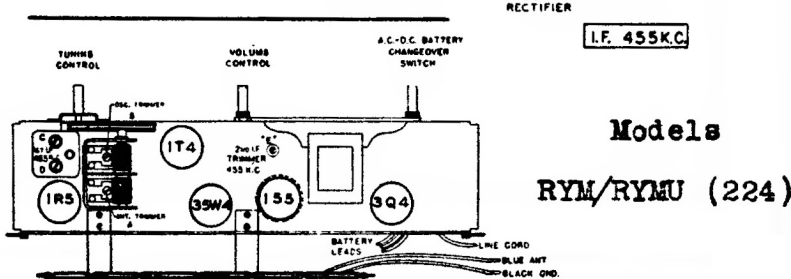
Operation	Connect Oscillator To:	Dummy Ant.	Set Osc. To:	Set Dial To:	Adjust Trimmers	Purpose
1	Converter Grid	.05 MFD.	455 KC	Min. Cap.	C, D, E	Align IF
2	Antenna	100 MMF.	1620 KC	Min. Cap.	B	Set Oscillator
3	Antenna	100 MMF.	1400 KC	1400 KC	A	Adjust Ant.
4	Antenna	100 MMF.	600 KC	600 KC	...	Check Calibration



Models
RYM/RYMU (224)



PART NO.	DESCRIPTION	PART NO.	DESCRIPTION
C1	50 MFD. 50V	R1	150 OHM 5% RES. 10%
C2	50 MFD. 50V	R2	100K OHM 5% VOL. CONTROL
C3	50 MFD. 50V	R3	470 OHM 5% RES. 10%
C4	50 MFD. 50V	R4	150 OHM 5% RES. 10%
C5	50 MFD. 50V	R5	200 OHM 5% RES. 10%
C6	50 MFD. 50V	R6	150 OHM 5% RES. 10%
C7	50 MFD. 50V	R7	150 OHM 5% RES. 10%
C8	50 MFD. 50V	R8	150 OHM 5% RES. 10%
C9	50 MFD. 50V	R9	150 OHM 5% RES. 10%
C10	50 MFD. 50V	R10	150 OHM 5% RES. 10%
C11	50 MFD. 50V	R11	150 OHM 5% RES. 10%
C12	50 MFD. 50V	R12	150 OHM 5% RES. 10%
1	LOAD ANT. COIL	2	TWO GANG. COND.
3	OSCILLATOR COIL	4	127 LF TRANSF.
5	IF TRANSF.	6	IF TRANSF.
7	CHANGEOVER SWCH	8	2" PU DYNAMIC SPKR
9	PHONO 150TMR	10	PHONO PICKUP



Models
RYM/RYMU (224)