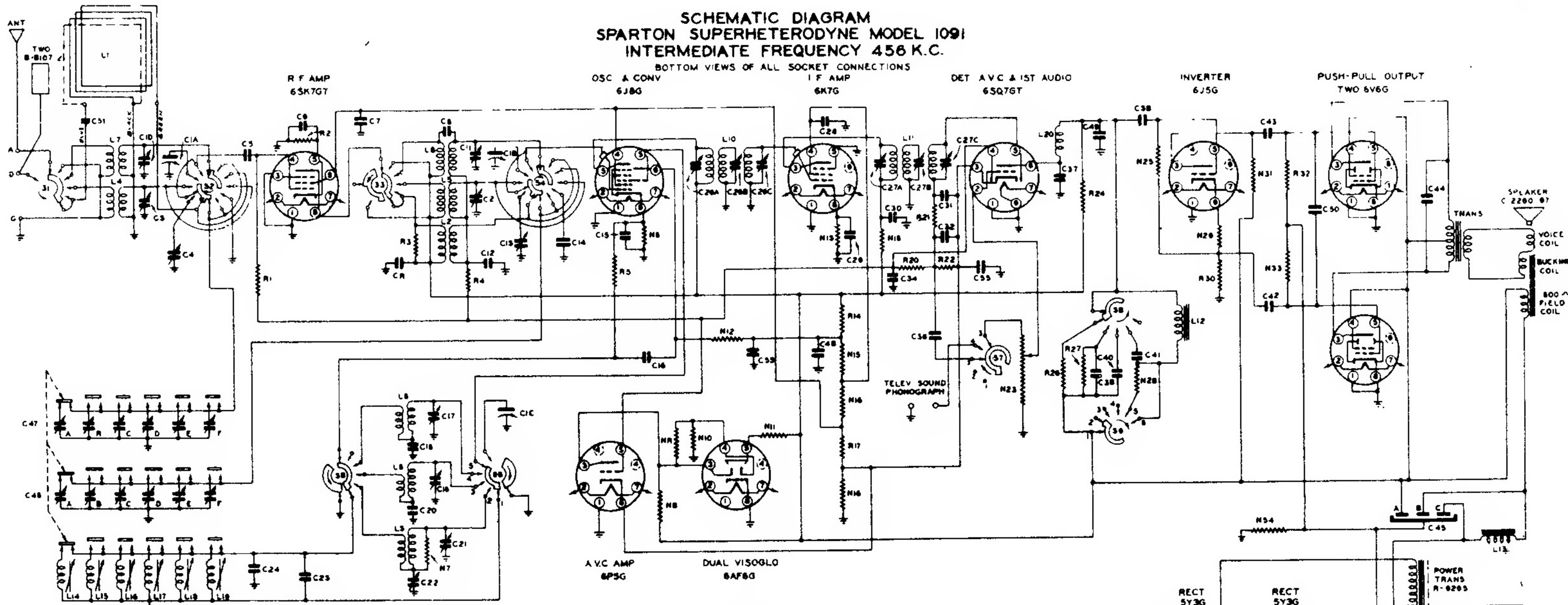


SCHEMATIC DIAGRAM SPARTON SUPERHETERODYNE MODEL 1091 INTERMEDIATE FREQUENCY 456 K.C.

BOTTOM VIEWS OF ALL SOCKET CONNECTIONS



C1A, B, C C2 C3 C4 C5 C6 C7 C8 C9 C10 C11 C12 C13 C14 C15 C16 C17 C18 C19 C20 C21 C22 C23 C24 C25 C26A, B, C C27A, B, C C28 C29 C30 C31 C32 C33 C34 C35 C36 C37 C38 C39 C40 C41 C42 C43 C44 C45 C46 C47 C48 C49 C50 C51	VARIABLE CONDENSER POL ANT TRIMMER R C ANT TRIMMER 500 MUF MICA 05 MFD 200V 05 MFD 400V 05 MFD 400V 5 MUF MICA B W ANT TRIMMER 3 W R F TRIMMER 05 MFD 200V 05 MFD 200V 05 MFD 200V 3 W OSC TRIMMER POL OSC TRIMMER 3100 MUF MICA 1120 MUF MICA R C OSC TRIMMER B C OSC PADDER 20 MUF COMPENSATOR 370 MUF MICA 370 MUF MICA NO 1 I F TRIMMER NO 2 I F TRIMMER 05 MFD 400V 05 MFD 200V 50 MFD 400V 100 MUF MICA	B-8260 A-15816 C-720-318 C-3202-26C C-3204-28C C-3202-28C C-720-381 A-18R20 C-3202-64C A-15821 C-3202-28C C-3202-28C C-720-320 A-18B20 A-15451-2 A-18451-1 B-7188-RT A-14822-1 R-9295-1 B-8265-1 A-14782 A-14782 C-3204-28C C-3202-28C C-3204-28C C-720-338	C32 100 MUF MICA C33 80 MFD 25V C34 05 MFD 200V C35 01 MFD 400V C36 02 MFD 200V C37 100 MUF MICA C38 02 MFD 488V C39 002 MFD 488V C40 004 MFD 400V C41 008 MFD 400V C42 1 MFD 400V C43 1 MFD 400V C44 003 MFD 990V A-13MFD 450V C-13MFD 450V ELECT A 146R4-7 A 578-100 MUF B 579-100 MUF C 441-100 MUF D 491-100 MUF E 222-40 MUF F 85-12 MUF A 578-180 MUF B 579-150 MUF C 441-100 MUF D 441-100 MUF E 222-40 MUF F 85-12 MUF C48 4 MFD 400V C49 50 MUF MICA C50 100 MUF MICA C51 300 MUF MICA	C-720-338 A-14782-8 C-3202-28C C-3204-132C C-3202-134C C-720-338 C-3204-134C C-3204-118C C-3204-120C C-3204-124C A-13R31-1 A-15851-1 A-15851-1 R12 22,000 Ω R13 12,000 Ω R14 8,000 Ω R15 8,000 Ω R16 8,000 Ω R17 18,000 Ω	R1 2 MEGOHM 25W R2 1000 Ω 25W R3 10,000 Ω 25W R4 100,000 Ω 25W R5 50,000 Ω 25W R6 10,000 Ω 25W R7 47,000 Ω 25W R8 180,000 Ω 25W R9 1 MEGOHM 25W R10 1 MEGOHM 25W R11 30,000 Ω 25W R12 22,000 Ω 5W R13 12,000 Ω 3W R14 8,000 Ω 1W R15 8,000 Ω 1W R16 8,000 Ω 1W R17 18,000 Ω 2W	C-2765-102B R18 380 Ω 25W C-2765-92R N18 1000 Ω 25W C-2765-74B R20 1 MEGOHM 25W C-2765-68B N21 1R,000 Ω 25W C-2765-93B R22 200,000 Ω 25W C-2765-92R R23 2 MEG VOL CONT C-2765-82B R24 560,000 Ω 25W C-2765-94B R25 470,000 Ω 25W C-2765-96B R26 540,000 Ω 25W C-2765-98B R27 880,000 Ω 25W C-2765-106B R28 13,000 Ω 25W C-2765-108B R29 27,000 Ω 25W C-2765-154B R30 22,000 Ω 25W C-2765-165A R31 22,000 Ω 25W C-2767-178B R32 47,000 Ω 25W C-2767-178B R33 47,000 Ω 25W C-2720-168A R34 180 Ω 3W	C-2765-148B C-2765-92R C-2765-88B C-2765-77R C-2765-214B A-1840 C-2765-95B C-2765-94R C-2765-95B C-2765-99R C-2765-106B C-2765-108B C-2765-108B C-2765-101B C-2765-101B C-2765-82B C-2765-82R C-2765-141A	L1 LOOP ANTENNA L2 B C R F COIL L3 B C OSC COIL L4 POL ANT COIL L5 POL R F COIL L6 POL OSC COIL L7 S W ANT COIL L8 S W R F COIL L9 S W OSC COIL L10 HO I F COIL L11 HO 2 I F COIL L12 TONE CONT CHOKE L13 FILTER CHOKE L4 L5 L6 L7 L8 L9 L10 L11 L12 L13 L14 L15 L16 L17 L18 L19 L20 R F CHOKE	D-1586-1 A-15838 A-18394-1 A-15833 A-15834 A-15835 A-14980-2 A-15837 A-14987-3 A-14794-1 A-14794-2 R-8288 A-18388 A-14718-2
-------------------------------------------------------------------------------------------------------------------------------------------------------------------------------------------------------------------------------------------------------------------------------------------------------------------------------------------------------------------------------	------------------------------------------------------------------------------------------------------------------------------------------------------------------------------------------------------------------------------------------------------------------------------------------------------------------------------------------------------------------------------------------------------------------------------------------------------------------------------------------------	----------------------------------------------------------------------------------------------------------------------------------------------------------------------------------------------------------------------------------------------------------------------------------------------------------------------------------------	----------------------------------------------------------------------------------------------------------------------------------------------------------------------------------------------------------------------------------------------------------------------------------------------------------------------------------------------------------------------------------------------------------------------------------------------------------------------------------------------------------------------------------------------------------------------------------------------	---------------------------------------------------------------------------------------------------------------------------------------------------------------------------------------------------------------------------------------------------------------------------------	--------------------------------------------------------------------------------------------------------------------------------------------------------------------------------------------------------------------------------------------------------------------------------------------------------------------------------	------------------------------------------------------------------------------------------------------------------------------------------------------------------------------------------------------------------------------------------------------------------------------------------------------------------------------------------------------------------------------------------------------------------------------------------------------------------------------------------------------------------------------------------------------------------------------------------------------	--------------------------------------------------------------------------------------------------------------------------------------------------------------------------------------------------------------------------------------------------------------	---------------------------------------------------------------------------------------------------------------------------------------------------------------------------------------------------------------------------------------------------------------------------------------------------------------------------------------------------------------------------------------	--------------------------------------------------------------------------------------------------------------------------------------------------------------------

TONE CONTROL A-15R23 SHOWN IN HIGH FIDELITY POSITION

- OFF
- ON - HIGH FIDELITY
- BARITONE
- BASS
- TREBLE
- 3 PITCH

WAVE BAND SWITCH B-8043 SHOWN IN B C PUSH-BUTTON TUNING POSITION

- B C PUSH-BUTTON TUNING
- B C MANUAL TUNING
- POLICE BAND
- SHORT-WAVE BAND
- PHONO & TELEVISION SOUND

31 ANT PR SECTION
52 ANT SEC SECTION
53 DET PR SECTION
54 DET SEC SECTION
55 OSC PR SECTION
56 D3C SEC SECTION
57 RADIO-PHONO SEC
58 TONE CONTROL
59

WAVE BAND SWITCH R-8043

