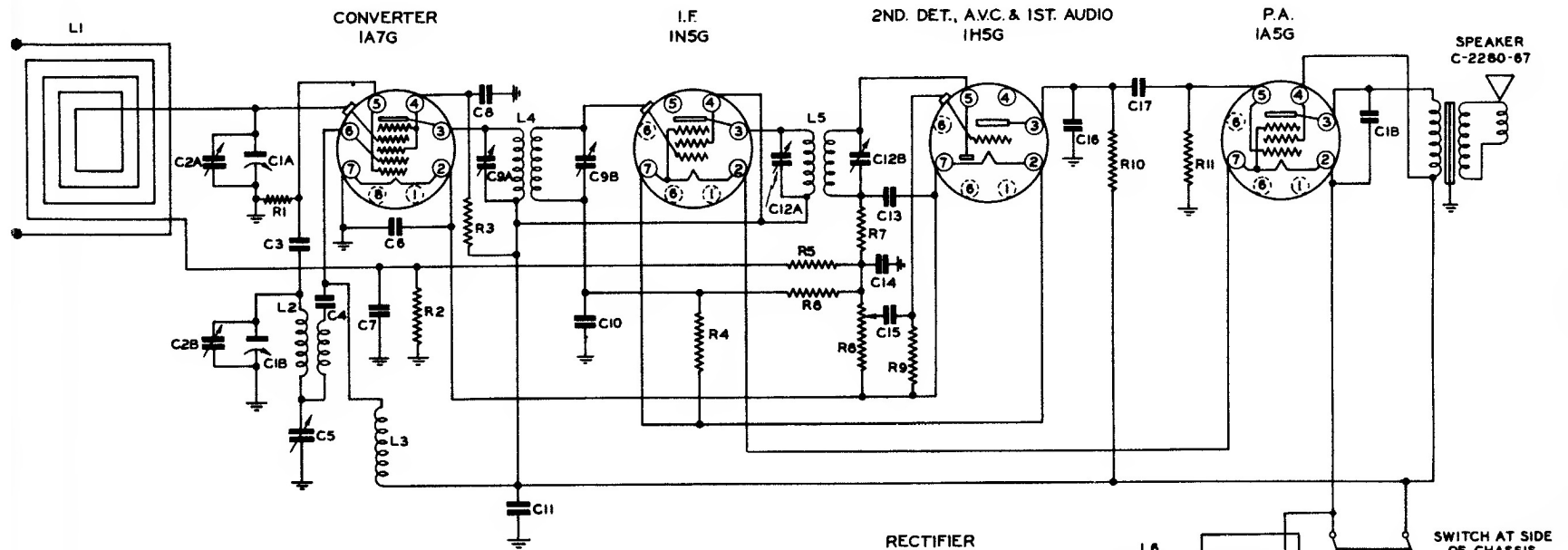


# SCHEMATIC DIAGRAM

## SPARTON SUPERHETERODYNE MODEL 590-1

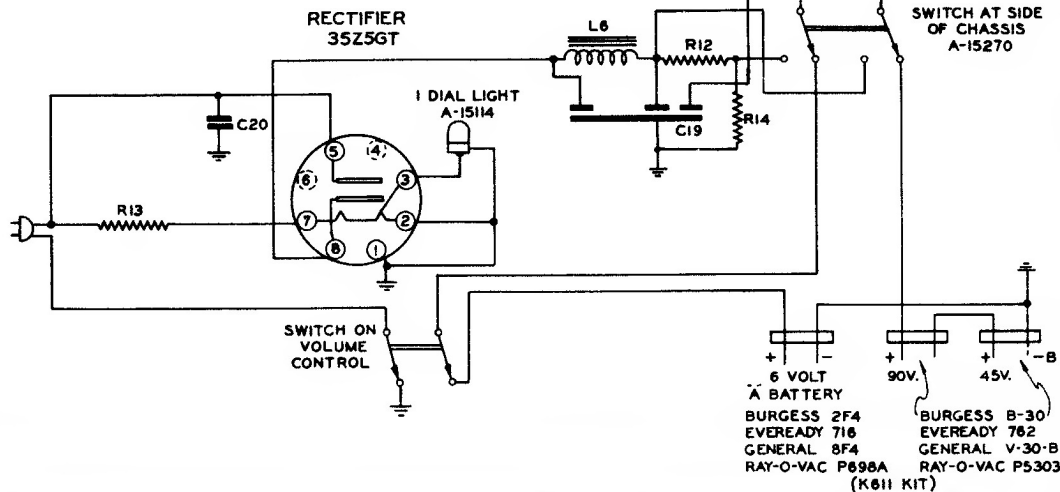
### INTERMEDIATE FREQUENCY 456 K.C.

TOP VIEWS OF ALL SOCKET CONNECTIONS



- R1 180,000  $\sim$  .25 W.
- R2 1 MEGOHM .25 W.
- R3 68,000  $\sim$  .25 W.
- R4 1 MEGOHM .25 W.
- R5 2.2 MEGOHM .25 W.
- R6 2.2 MEGOHM .25 W.
- R7 56,000  $\sim$  .25 W.
- R8 500,000  $\sim$  VOL. CONTROL
- R9 10 MEGOHM .25 W.
- R10 1 MEGOHM .25 W.
- R11 2.2 MEGOHM .25 W.
- R12 1790  $\sim$  5W.
- R13 547  $\sim$  RESISTANCE CORD
- L1 LOOP ANTENNA
- L2 B.C. OSC. COIL
- L3 OSC. PLATE CHOKE
- L4 NO.1 I.F. COIL
- L5 NO.2 I.F. COIL
- L6 FILTER CHOKE
  
- R14 2700  $\Omega$  .25 W

- C3 25 MMF. MICA
- C4 250 MMF. MICA
- C5 OSCILLATOR PADDER
- C6 .03 MFD. 200V.
- C7 .05 MFD. 200V.
- C8 .05 MFD. 200V.
- C9A & B NO.1 I.F. TRIMMER
- C10 .05 MFD. 200V.
- C11 .05 MFD. 200V.
- C12A & B NO.2 I.F. TRIMMER
- C13 100 MMF. MICA
- C14 100 MMF. MICA
- C15 .01 MFD. 400V.
- C16 100 MMF. MICA
- C17 .01 MFD. 400V.
- C18 .001 MFD. 1000V.
- C19 20-20-20 MFD. 150V. ELECT.
- C20 .05 MFD. 400V.



- 6 VOLT A BATTERY
- BURGESS 2F4
- EVEREADY 716
- GENERAL 8F4
- RAY-O-VAC P698A (K611 KIT)
- BURGESS B-30
- EVEREADY 762
- GENERAL V-30-B
- RAY-O-VAC P5303