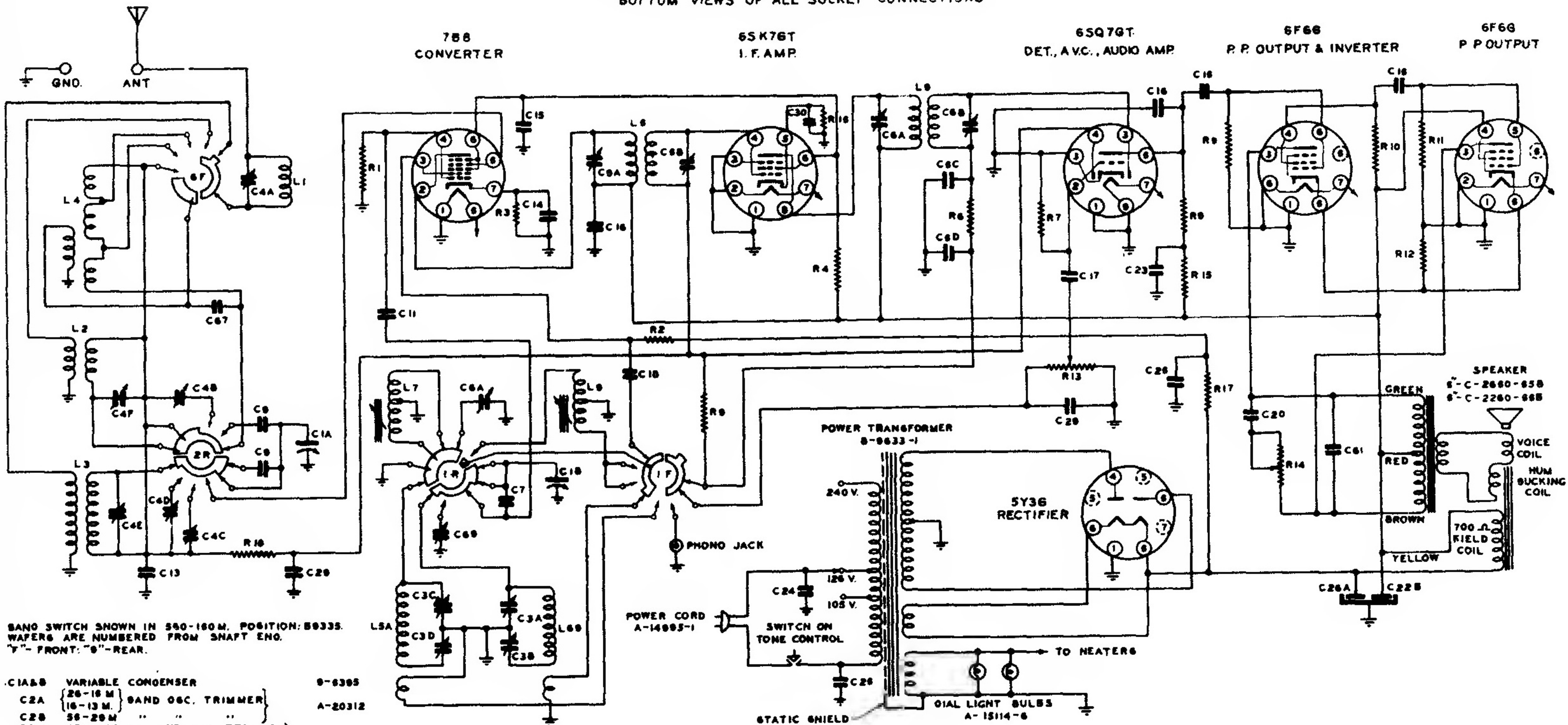


SPARTON SUPERHETERODYNE MODELS 652-X & 652-XD

INTERMEDIATE FREQUENCY 456 K.C.

BOTTOM VIEWS OF ALL SOCKET CONNECTIONS



BAND SWITCH SHOWN IN 550-150 M. POSITION: 89335.
WAFERS ARE NUMBERED FROM SHAFT END.
"Y" - FRONT; "9" - REAR.

| | | |
|---------|---|------------|
| C1A&B | VARIABLE CONDENSER | 9-6395 |
| C2A | { 26-18 M 16-13 M. } BAND OSC. TRIMMER | A-20312 |
| C2B | 55-29 M " " " " | |
| C3A | 680-150 M. BAND OSC. TRIMMER | |
| C3B | " " " " PADDER | |
| C3C | 6200-750 M. BAND OSC. TRIMMER | A-20313 |
| C3D | " " " " PADDER | |
| C4A | I.F. REJECTOR TRIMMER | |
| C4B | 18-13 M. BAND ANT. TRIMMER | |
| C4C | 26-18 M " " " " | A-20314 |
| C4D | 56-26 M " " " " | |
| C4E | 660-150 M " " " " | |
| C4F | 2200-750 M. " " " " | |
| C5A & B | NO. 1 I.F. TRIMMER | 9-7200-GH |
| C5A & D | NO. 2 I.F. TRIMMER | A-60114 |
| C5C & O | 100-100 MMF TWEET FILTER | |
| C7 | 70 MMF CERAMIC | A-60652-1 |
| C8 | 75 MMF CERAMIC | A-20656-6 |
| C9 | 2000 MMF MICA 55-60M ANT. PADDER | C-720-394 |
| C10 | 500 MMF MICA | C-720-318 |
| C11 | 50 MMF " " | C-720-315 |
| C16 | 650 MMF " " | C-720-324 |
| C13 | 05 MFD. 500 V. TUBULAR COND. | C-3206-295 |

| | | | | |
|------|------|-----|-------|---------------|
| C14 | 26 | MFD | 200 V | TUBULAR COND. |
| C15 | .1 | MFD | 500 V | " " |
| C16 | .1 | MFD | 500 V | " " |
| C17 | .02 | MFD | 500 V | " " |
| C18 | .03 | MFD | 500 V | " " |
| C19 | .01 | MFD | 500 V | " " |
| C20 | .06 | MFD | 500 V | " " |
| C21 | .008 | MFD | 500 V | " " |
| C22A | 15 | MFD | 450 V | ELECTROLYTIC |
| C22B | 30 | MFD | 450 V | |
| C23 | .1 | MFD | 500 V | TUBULAR COND. |
| C24 | .008 | MFD | 500 V | " " |
| C25 | .005 | MFD | 500 V | " " |
| C26 | .05 | MFD | 500 V | " " |
| C27 | 15 | MMF | MICA | " " |
| C28 | 16 | MFD | 400 V | ELECTROLYTIC |
| C29 | 100 | MMF | MICA | " " |
| C30 | .1 | MFD | 400 V | TUBULAR COND. |

| | | | |
|-------------|-----|---------|--------------|
| C-3206-416 | R1 | 66 K.Ω | .25W. |
| C-3206-396 | R6 | 62 K.Ω | .5 W. |
| C-3209-366 | R3 | 300 Ω | .25 W. |
| C-3209-266 | R4 | 53 K.Ω | 1 W. |
| C-3206-1366 | R5 | 56 K.Ω | .25 W. |
| C-3206-765 | R6 | 1 MEG. | .66 W. |
| C-3206-1346 | R7 | 15 MEG. | .25 W. |
| C-3206-1195 | R9 | 220 K.Ω | .5 W. |
| A-20318 | R8 | 470 K.Ω | .25 W. |
| C-3206-396 | R10 | 2700 Ω | .5 W. |
| C-3206-1246 | R11 | 470 K.Ω | .25 W. |
| C-3206-1645 | R12 | 330 Ω | 1 W. |
| C-3206-295 | R13 | 500 K.Ω | VOL. CONTROL |
| C-720-360 | R14 | 500 K.Ω | TONE CONTROL |
| A-14762-11 | R15 | 100 K.Ω | .65 W. |
| C-720-366 | R16 | 100 K.Ω | .65 W. |
| C-3204-396 | R17 | 16 K.Ω | 1 W. |
| | R18 | 300 Ω | .65 W. |

| | | |
|-------------|-----|----------------------------|
| C-6785-638 | L1 | I.F. REJECTOR |
| C-6786-76C | L2 | 2200-740 M. BAND ANT. COIL |
| C-2796-1469 | L3 | 660-180 M. " " " " |
| C-2787-1668 | L4 | { 56-26 M. " " " " |
| C-2793-938 | | { 26-18 M. " " " " |
| C-2766-969 | | { 16-13 M. " " " " |
| A-16789 | L5A | 2200-760 M. BAND OSC. COIL |
| C-2766-90C | L5B | 560-150 M. " " " " |
| C-6786-94B | L6 | { 56-69 M. " " " " |
| C-2786-166C | | { 26-18 M. " " " " |
| C-6785-94B | L7 | 16-13 M. " " " " |
| C-2797-1478 | L8 | NO. 1 I.F. COIL |
| A-15131-2 | | NO. 6 I.F. COIL |
| C-2766-869 | | |
| C-2796-868 | | |
| C-2797-1859 | | |
| C-6786-1468 | | |

| | |
|------------|--|
| A-15776-2 | |
| A-15409-1 | |
| A-14678-4 | |
| A-60322 | |
| A-14213-15 | |
| A-20360 | |
| A-60360-1 | |
| A-12064-47 | |
| A-12064-49 | |

ON 2200-750 M. & 560-150 M. BANDS, OSC. FREQ. IS ABOVE SIGNAL FREQ.
ON 56-26 M., 26-18 M. & 16-13 M. " " " " BELOW " "