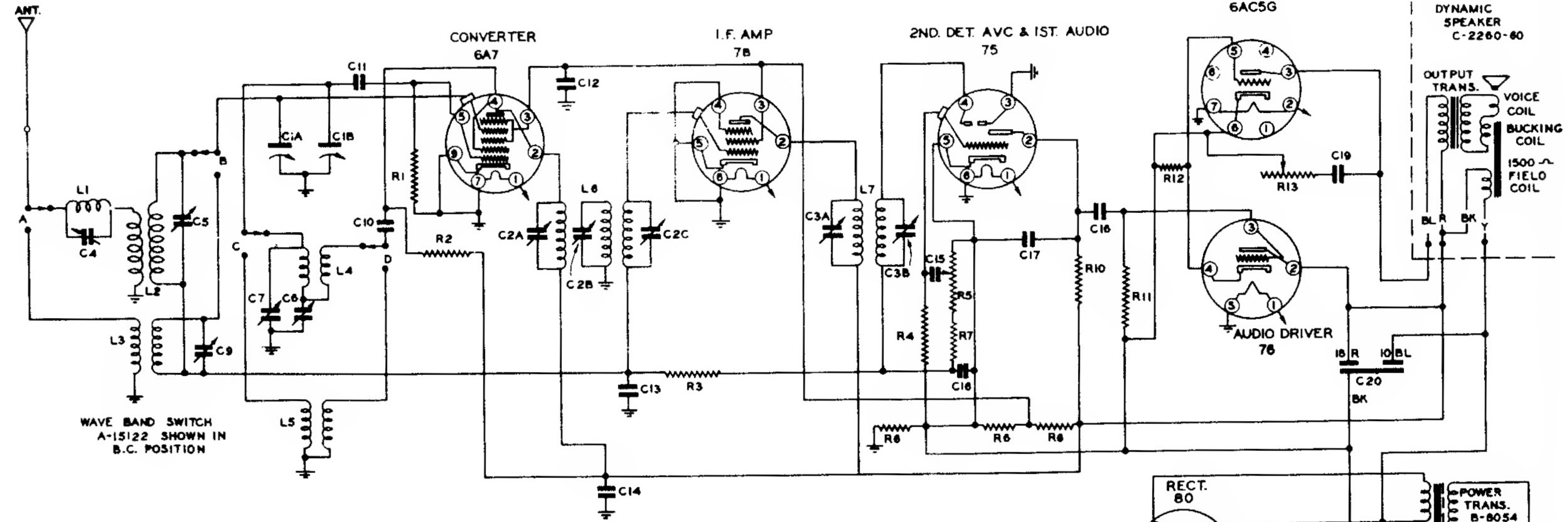


SCHEMATIC DIAGRAM SPARTON SUPERHETERODYNE MODEL 660-M INTERMEDIATE FREQUENCY 456 K.C. TOP VIEWS OF ALL SOCKET CONNECTIONS



- | | |
|-------------------------------|------------|
| C1A & B VARIABLE CONDENSER | B-8064 |
| C2A, B & C NO. 1 I.F. TRIMMER | A-14792 |
| C3A & B NO. 2 I.F. TRIMMER | B-7200-GH |
| C4 I.F. REJECTOR TRIMMER | A-14088-4 |
| C5 B.C. ANT. TRIMMER | A-14088-5 |
| C6 S.W. ANT. TRIMMER | A-14099-5 |
| C7 B.C. OSC. TRIMMER | B-7199-BY |
| C8 B.C. OSC. PADDER | |
| C10 .001 MFD. 400V. | C-3204-2C |
| C11 50 MMFD. MOLDED | C-720-320 |
| C12 .1 MFD. 200V. | C-3202-38C |

- | | |
|-----------------------|------------|
| C13 .05 MFD. 200V. | C-3202-28C |
| C14 .1 MFD. 400V. | C-3204-38C |
| C15 .02 MFD. 200V. | C-3202-22C |
| C16 250 MMFD. MOLDED | C-720-324 |
| C17 250 MMFD. MOLDED | C-720-324 |
| C18 .05 MFD. 400V. | C-3204-26C |
| C19 .03 MFD. 600V. | C-3208-80C |
| C20 18-10 MFD. ELECT. | A-14789 |

- | | |
|----------------------------------|-------------|
| R1 56,000 Ω .25W. | C-2795-83B |
| R2 22,000 Ω .5W. | C-2796-76C |
| R3 1 MEGOHM .25W. | C-2795-98B |
| R4 4.7 MEGOHM .25W. | C-2795-108B |
| R5 500,000 Ω VOL. CONTROL | A-15130-1 |
| R6 27,000 Ω .25W. | C-2785-53B |
| R7 56,000 Ω .25W. | C-2795-83B |
| R8 27,000 Ω 1W. | C-2797-79B |
| R9 33,000 Ω 3W. | C-2799-80A |
| R10 270,000 Ω .25W. | C-2795-81B |
| R11 1 MEGOHM .25W. | C-2795-98B |
| R12 27,000 Ω .25W. | C-2795-79B |
| R13 TONE CONTROL & 5W. | A-15126 |

- | | |
|-----------------------|------------|
| L1 I.F. REJECTOR COIL | A-14677 |
| L2 B.C. ANT. COIL | A-14679-1 |
| L3 S.W. ANT. COIL | A-14682-4 |
| L4 B.C. OSC. COIL | A-14213-2A |
| L5 S.W. OSC. COIL | |
| L6 NO. 1 I.F. COIL | A-14794 |
| L7 NO. 2 I.F. COIL | A-12064-17 |

- | | |
|----------------------------------|----------|
| TO FILAMENTS OF ALL TUBES BUT 80 | RECT. 80 |
| 2 DIAL LIGHTS | A-14924 |
| STATIC SHIELD | |
| SWITCH ON TONE CONTROL | |
| INPUT PLUG & CORD | A-14695 |