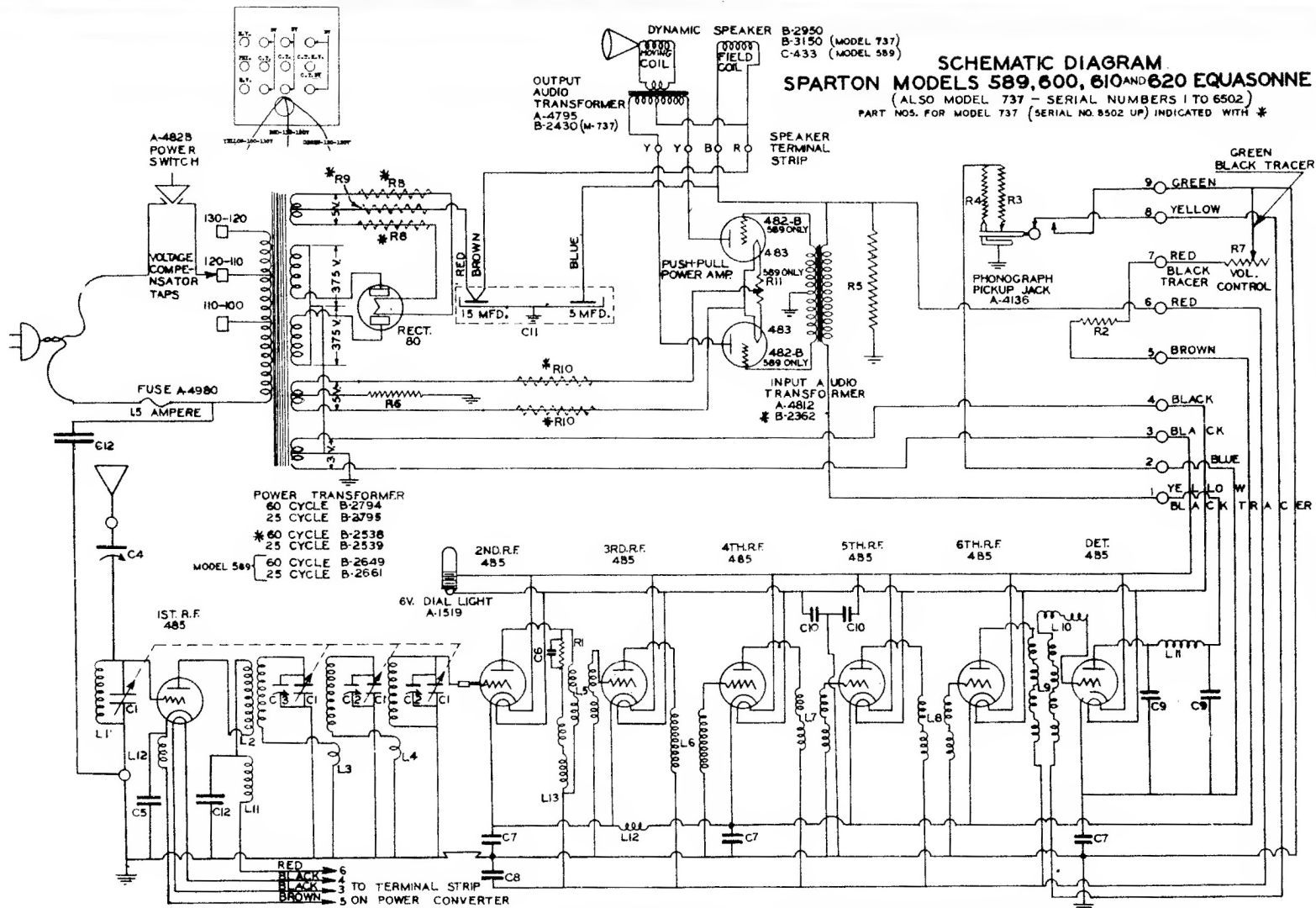


SCHEMATIC DIAGRAM SPARTON MODELS 589, 600, 610 AND 620 EQUASONNE

(ALSO MODEL 737 - SERIAL NUMBERS 1 TO 6502)
PART NOS. FOR MODEL 737 (SERIAL NO. 8502 UP) INDICATED WITH *



POWER TRANSFORMER
60 CYCLE B-2794
25 CYCLE B-2795
* 60 CYCLE B-2538
25 CYCLE B-2539
MODEL 589 * 60 CYCLE B-2649
25 CYCLE B-2661

C1 VARIABLE CONDENSER A-4713
C2 DOUBLE EQ. CONDENSER A-4712
C3 SINGLE EQ. CONDENSER A-4636
C4 ANT. COMPENSATOR A-4998
C5 2 MFD. A-4354
C6 D00023 MFD. A-5032
C7 1 MFD. A-5033
C8 .25 MFD. A-5032
C9 .002 MFD. A-3217
CID .2 MFD. A-742D

C11 FILTER CONDENSER B-2948
C12 .006 MFD. A-4434
R1 2,800 Ω 5 W. A-4353
R2 10 Ω 1 W. A-44913
R3 1,000 Ω 2 W. A-3397
R4 20,000 Ω 2 W. A-2934
R5 15,000 Ω 5 W. A-4107
R6 1250 Ω 3 W. A-4974
R7 15,000 Ω VOL CONT. A-4770

L1 1ST. TUNING COIL A-46DD
L2 2ND. TUNING COIL A-4711
L3 3RD. TUNING COIL A-4758
L4 4TH. TUNING COIL A-4759
L5 COUPLING COIL A-4826
L6 2ND. R.F. TRANS. A-2963-W
L7 3RD. R.F. TRANS. A-2965-W
L8 4TH. R.F. TRANS. A-2967-W
L9 5TH. R.F. TRANS. A-2961-W
L10 FREE GRID COIL A-3238-W

L11 DET. PLATE CHOKE A-3506
L12 CATHODE CHOKE A-3332
L13 1ST. PLATE CHOKE A-3239-W
* PARTS SHOWN DOTTED FOR MODEL 737 ONLY
R8 67 Ω 2.5 W. A-6889
R9 1,300 Ω 15 W. A-6888
R10 .54 Ω 2.5 W. A-6890
R11 .6 Ω (589 ONLY) A-4397