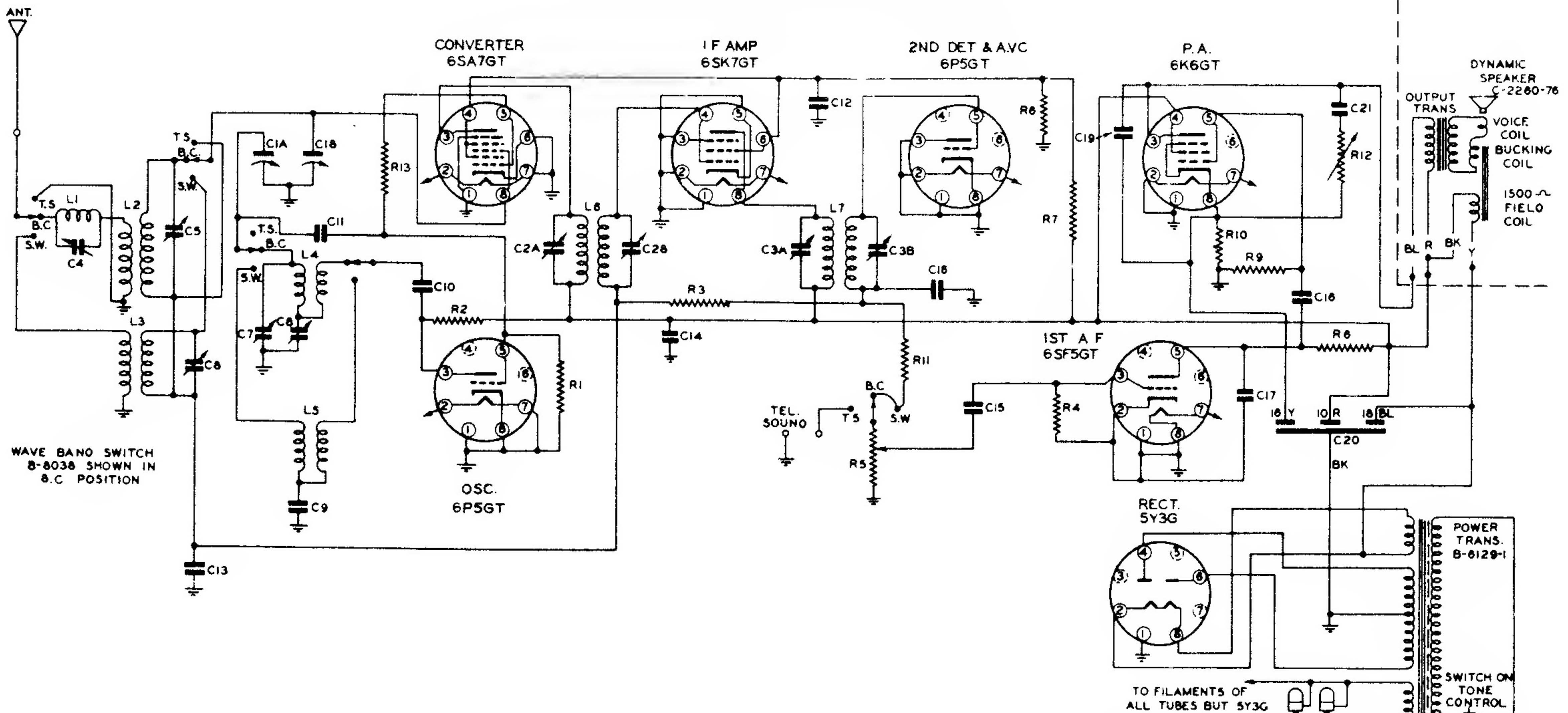


SCHEMATIC DIAGRAM SPARTON SUPERHETERODYNE MODEL 761 INTERMEDIATE FREQUENCY 456 K.C. BOTTOM VIEWS OF ALL SOCKET CONNECTIONS



WAVE BAND SWITCH
8-8038 SHOWN IN
B.C. POSITION

C1A&B	VARIABLE CONDENSER	8-7229
C2A&B	NO 1 I.F. TRIMMER	8-7200-GN
C3A&B	NO 2 I.F. TRIMMER	8-7200-GN
C4	I.F. REJECTOR TRIMMER	A-14088-4
C5	B.C. ANT. TRIMMER	A-14088-5
C6	S.W. ANT. TRIMMER	A-14088-5
C7	B.C. OSC. TRIMMER	8-7199-EY
C8	B.C. OSC. PADDER	
C9	2700 MMFO. MOLDEO	A-15451
C10	250 MMFO. MOLDEO	C-720-324
C11	50 MMFD. MOLDEO	C-720-315
C12	.1 MFO. 200V.	C-3202-38C

C13	.05 MFO. 200V.	C-3202-84C
C14	.1 MFO. 400V.	C-3204-38C
C15	.02 MFO. 200V.	C-3202-22C
C16	250 MMFO. MOLDEO	C-720-324
C17	250 MMFO. MOLDEO	C-720-324
C18	.05 MFO. 400V.	C-3204-28C
C19	.003 MFO. 800V.	C-3208-82C
C20	16-10-16 MFO. ELECT.	A-14780
C21	.03 MFO. 800V.	C-3208-80C

R1	56,000 Ω	.25W.
R2	22,000 Ω	.5W.
R3	1 MEGOHM	.25W.
R4	4.7 MEGOHM	.25W.
R5	500,000 Ω	VOL. CONT
R6	27,000 Ω	1W.
R7	33,000 Ω	3W.
R8	270,000 Ω	.25W.
R9	680,000 Ω	.25W.
R10	680 Ω	1W.
R11	56,000 Ω	.25W.
R12	TONE CONT. & SW.	
R13	560 Ω	.25W.

C-2795-83B	L1 I.F. REJECTOR COIL	A-14677
C-2796-78C	L2 B.C. ANT. COIL	A-14679-1
C-2795-98B	L3 S.W. ANT. COIL	A-14682-6
C-2795-106B	L4 B.C. OSC. COIL	A-15377-1
A-15130-2	L5 S.W. OSC. COIL	A-15233-3
C-2797-79B	L6 NO. 1 I.F. COIL	A-12084-39
C-2799-80A	L7 NO. 2 I.F. COIL	A-12084-17
C-2795-91B		
C-2795-30B		
C-2797-60B		
C-2795-83B		
A-15128-1		
C-2795-58B		

TO FILAMENTS OF
ALL TUBES BUT 5Y3G

2 DIAL LIGHTS
A-14924

STATIC SHIELD

SWITCH ON
TONE CONTROL

INPUT PLUG
& CORO