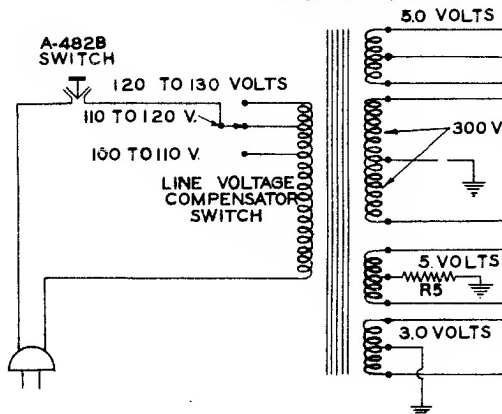
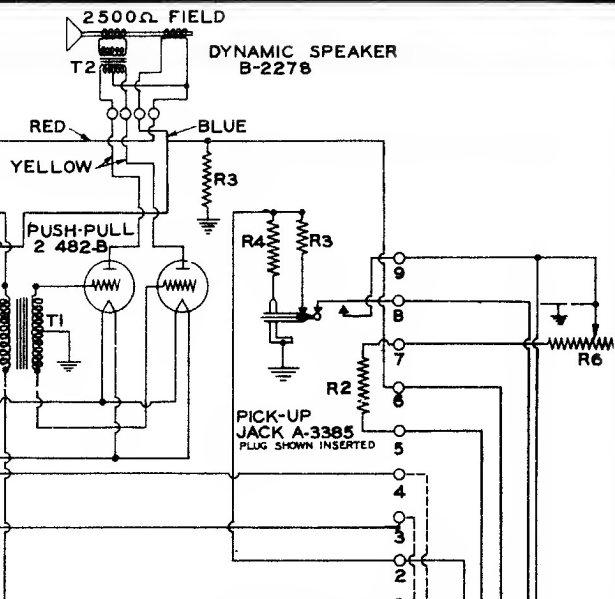


# SCHEMATIC DIAGRAM SPARTON MODEL 930 EQUASSONNE

**POWER TRANSFORMER**  
B-2249 60 CYCLE  
B-2250 25 CYCLE



**POWER CONVERTER**  
C-325 60 CYCLE  
C-324 25 CYCLE



- |                               |        |             |              |        |                             |          |                            |          |
|-------------------------------|--------|-------------|--------------|--------|-----------------------------|----------|----------------------------|----------|
| C1 VARIABLE CONDENSERS        | A-4713 | R1 2,800 Ω  | .5 W         | A-4353 | L1 FIRST R.F. COIL          | A-3772   | L12 FIFTH R.F. TRANSFORMER | A-2961-W |
| C2 DOUBLE EQUALIZING COND.    | A-4712 | R2 110 Ω    | 1 W          | A-4915 | L2 SECOND R.F. COIL         | A-3772   | L13 FREE GRID CHOKE        | A-3258-W |
| C3 SINGLE EQUALIZING COND.    | A-4712 | R3 1,000 Ω  | 2 W          | A-3397 | L3 THIRD R.F. COIL          | A-3772   | L14 DET. PLATE CHOKE       | A-3506   |
| C4 ANTENNA COMPENSATING COND. | A-3357 | R4 20,000 Ω | 2 W          | A-2934 | L4 FOURTH R.F. COIL         | A-3772   | L15 FILTER CHOKE           | A-3764   |
| C5 .0003 MFD.                 | A-3663 | R5 1,250 Ω  | 3 W          | A-3750 | L5 COUPLING COIL            | A-3756   |                            |          |
| C6 .00023 MFD.                | A-4354 | R6 50,000 Ω | VOL. CONTROL | A-3491 | L6 PLATE CHOKE              | A-3239-W |                            |          |
| C7 1 MFD.                     | A-5032 |             |              |        | L7 GRID CHOKE               | A-3240   |                            |          |
| C8 .25 MFD.                   | A-5033 |             |              |        | L8 CATHODE CHOKE            | A-3332   |                            |          |
| C9 2 MFD.                     | A-7420 |             |              |        | L9 SECOND R.F. TRANSFORMER  | A-2963-W |                            |          |
| C10 .002 MFD.                 | A-3217 |             |              |        | L10 THIRD R.F. TRANSFORMER  | A-2965-W |                            |          |
| C11 FILTER BLOCK 60 CYCLE     | B-2203 |             |              |        | L11 FOURTH R.F. TRANSFORMER | A-2967-W |                            |          |
|                               | B-2227 |             |              |        |                             |          |                            |          |

- |             |              |        |                     |          |                            |          |
|-------------|--------------|--------|---------------------|----------|----------------------------|----------|
| R1 2,800 Ω  | .5 W         | A-4353 | L1 FIRST R.F. COIL  | A-3772   | L12 FIFTH R.F. TRANSFORMER | A-2961-W |
| R2 110 Ω    | 1 W          | A-4915 | L2 SECOND R.F. COIL | A-3772   | L13 FREE GRID CHOKE        | A-3258-W |
| R3 1,000 Ω  | 2 W          | A-3397 | L3 THIRD R.F. COIL  | A-3772   | L14 DET. PLATE CHOKE       | A-3506   |
| R4 20,000 Ω | 2 W          | A-2934 | L4 FOURTH R.F. COIL | A-3772   | L15 FILTER CHOKE           | A-3764   |
| R5 1,250 Ω  | 3 W          | A-3750 | L5 COUPLING COIL    | A-3756   |                            |          |
| R6 50,000 Ω | VOL. CONTROL | A-3491 | L6 PLATE CHOKE      | A-3239-W |                            |          |

- |        |                             |          |                            |          |
|--------|-----------------------------|----------|----------------------------|----------|
| A-4353 | L1 FIRST R.F. COIL          | A-3772   | L12 FIFTH R.F. TRANSFORMER | A-2961-W |
| A-4915 | L2 SECOND R.F. COIL         | A-3772   | L13 FREE GRID CHOKE        | A-3258-W |
| A-3397 | L3 THIRD R.F. COIL          | A-3772   | L14 DET. PLATE CHOKE       | A-3506   |
| A-2934 | L4 FOURTH R.F. COIL         | A-3772   | L15 FILTER CHOKE           | A-3764   |
| A-3750 | L5 COUPLING COIL            | A-3756   |                            |          |
| A-3491 | L6 PLATE CHOKE              | A-3239-W |                            |          |
|        | L7 GRID CHOKE               | A-3240   |                            |          |
|        | L8 CATHODE CHOKE            | A-3332   |                            |          |
|        | L9 SECOND R.F. TRANSFORMER  | A-2963-W |                            |          |
|        | L10 THIRD R.F. TRANSFORMER  | A-2965-W |                            |          |
|        | L11 FOURTH R.F. TRANSFORMER | A-2967-W |                            |          |

- |          |                            |          |
|----------|----------------------------|----------|
| A-3772   | L12 FIFTH R.F. TRANSFORMER | A-2961-W |
| A-3772   | L13 FREE GRID CHOKE        | A-3258-W |
| A-3772   | L14 DET. PLATE CHOKE       | A-3506   |
| A-3756   | L15 FILTER CHOKE           | A-3764   |
| A-3239-W |                            |          |
| A-3240   |                            |          |
| A-3332   |                            |          |
| A-2963-W |                            |          |
| A-2965-W |                            |          |
| A-2967-W |                            |          |

- |          |                            |          |
|----------|----------------------------|----------|
| A-2961-W | L12 FIFTH R.F. TRANSFORMER | A-2961-W |
| A-3258-W | L13 FREE GRID CHOKE        | A-3258-W |
| A-3506   | L14 DET. PLATE CHOKE       | A-3506   |
| A-3764   | L15 FILTER CHOKE           | A-3764   |
|          |                            |          |
|          |                            |          |
|          |                            |          |
|          |                            |          |
|          |                            |          |
|          |                            |          |

**TERMINAL BLOCK**  
NO 1 NEAREST CONTROL PANEL

1ST. R.F. 485      2ND. R.F. 485      3RD. R.F. 485      4TH. R.F. 485      5TH. R.F. 485      DET. 485

