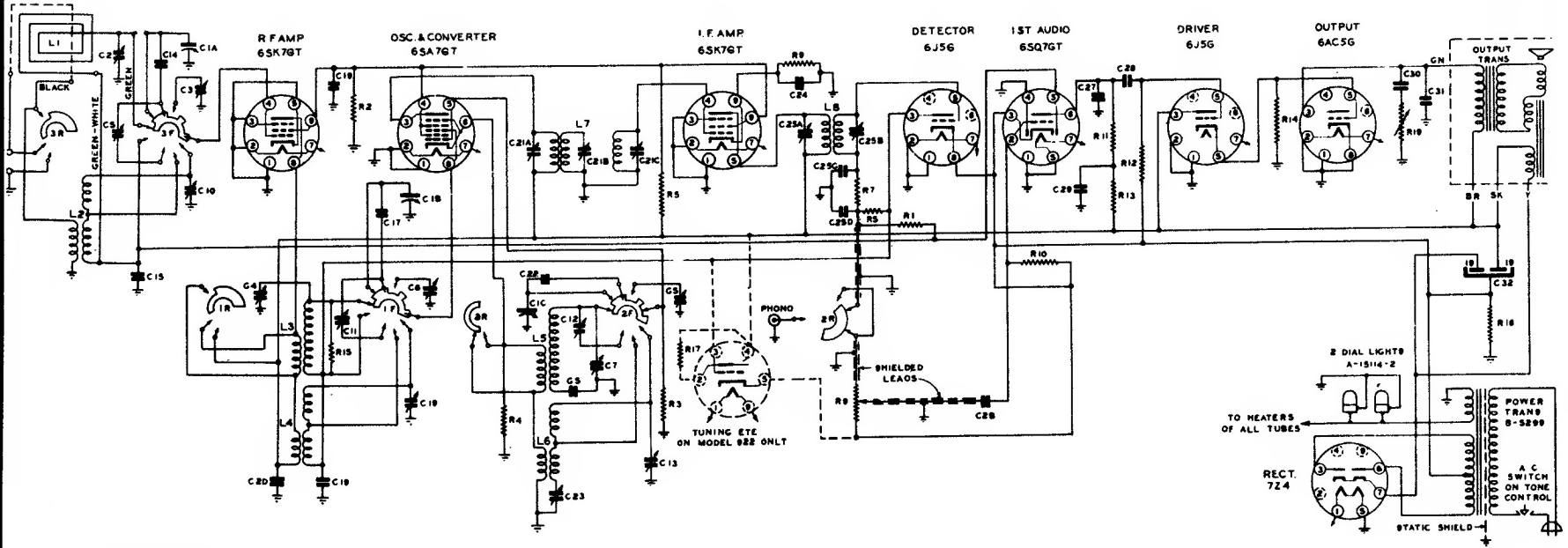


AIR CASTLE SUPERHETERODYNE MODELS 822 & 922
INTERMEDIATE FREQUENCY 456 K.C.
 BOTTOM VIEWS OF ALL SOCKET CONNECTIONS



BAND-SWITCH B-5337 SHOWN IN B.C. POSITION.
 WAFERS NUMBERED FROM 9NAFT END
 "F"-FRONT, "R"-REAR.

Spiegel, Inc. Models 822 and 922. (DP-7014)

- C1A, B & C 3-GANG VARIABLE CONDENSER
- C2 B.C. ANT. TRIMMER
- C3 5.7-7.5 7.4-10.0 MC ANT. TRIMMER
- C4 B.C. DET. TRIMMER
- C5 9.7-7.8 7.4-10.0 MC OSC. "
- C6 5.7-7.9 7.4-10.0 MC DET. "
- C7 B.C. DSC TRIMMER
- C8 " " PADDER
- C9 8.9-13.4 12.9-18.8 MC ANT. PADDER
- C10 5.9-13.4 12.9-18.9 MC " TRIMMER
- C11 9.9-13.4 12.9-18.8 MC DET. PADDER
- C12 9.9-13.4 12.9-18.9 MC OSC. "
- C13 8.9-13.4 12.9-18.8 MC " TRIMMER
- C14 5.7-7.7 & 7.4-10.0 MC ANT. PAD. 199 MMF.
- C15 1 MFD. 400 V
- C19 1 MFD. 400 V

- B-5338
- A-14058-7
- A-20343
- A-20343-1
- B-5286-5
- C-3204-38C
- C-3204-35C

- C17 9.7-7.8 7.4-10.0 MC DET. PAD. 199 MMF.
- C18 6.9-13.4 12.9-18.5 MC DET. TRIMMER
- C19 1 MFD. 400 V
- C20 1 MFD. 400 V
- C21 NO. I. F. TRIMMER
- C22 5.7-7.9 & 7.4-10.0 MC OSC. PAD. 195 MMF
- C23 5 W OSC. CIRCUIT PADDER
- C24 1 MFD. 200 V
- C25 NO. 2 I. F. TRIMMER
- C26 .02 MFD. 400 V.
- C27 280 MMF MICA
- C29 .08 MFD. 400 V
- C28 1 MFD. 400 V
- C30 .03 MFD. 800 V
- C31 .006 MFD. 600 V
- C32 19-18 MFD. ELECTROLYTIC

- B-9265-5
- A-14098-7
- C-3204-38C
- C-3204-35C
- A-14752-1
- S-5289-9
- A-15451-10
- C-3202-38C
- A-2014
- C-3204-22C
- C-720-32.4
- C-3204-140C
- C-3204-35C
- C-3209-50C
- C-3206-98C
- A-20188

- R1 2.2 MEG. 25 W
- R2 27,000 Ω .1 W
- R3 15,000 Ω .25 W
- R4 470 Ω .25 W
- R5 9,100 Ω .3 W
- R9 300 Ω .25 W
- R7 59,000 Ω .25 W
- R8 2.2 MEG. 29
- R9 VOL. CONTROL .5 MEG.
- R10 4.7 MEG. .29 W
- R11 270,000 Ω .25 W
- R12 470,000 Ω .29 W
- R13 100,000 Ω .25 W
- R14 22,000 Ω .29 W
- R15 TONE CONTROL 25 MEG
- R19 47 Ω .25 W
- R17 220,000 Ω 29 W
- (ON MODEL 922 ONLY)
- R15 22,000 Ω .25 W
- C-2799-102B
- C-2799-157B
- C-2795-151 B
- C-2795-182A
- C-2799-146B
- C-2795-83B
- C-2799-102B
- A-15130-2
- C-2795-108B
- C-2755-51B
- C-2795-94B
- C-2795-59B
- C-2799-75B
- A-15128-7
- C-2799-46B
- C-2795-50B
- C-2795-75B

- L1 LODP ANTENNA
- L2 [5.7-7.9, 7.4-10, 9.8-13.4
- L3 B.C. DET. COIL
- L4 [9.7-7.8, 7.4-10, 9.8-13.4
- L5 [5.7-7.8, 7.4-10, 9.8-13.4
- L6 [5.7-7.8, 7.4-10, 9.8-13.4
- L7 NO. 1 I F COIL
- L8 [5.7-7.8, 7.4-10, 9.8-13.4
- L9 [5.7-7.8, 7.4-10, 9.8-13.4
- L10 [5.7-7.8, 7.4-10, 9.8-13.4
- L11 [5.7-7.8, 7.4-10, 9.8-13.4
- L12 [5.7-7.8, 7.4-10, 9.8-13.4
- L13 [5.7-7.8, 7.4-10, 9.8-13.4
- L14 [5.7-7.8, 7.4-10, 9.8-13.4
- L15 [5.7-7.8, 7.4-10, 9.8-13.4
- C-3280-7 TABLE MODEL CONSOLE
- A-14950-9
- A-15539-1
- A-15537-4
- A-19394-3
- A-15233-19
- A-14794-3
- A-12064-42