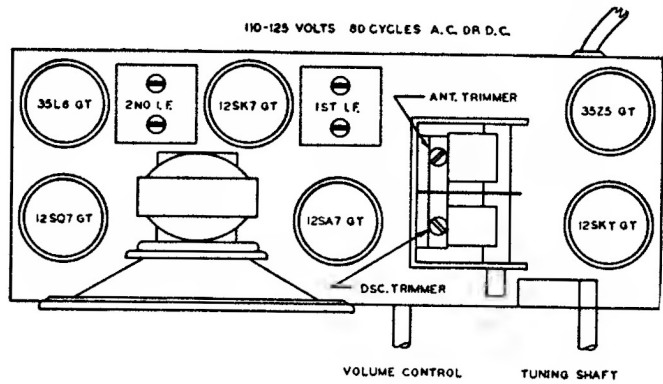
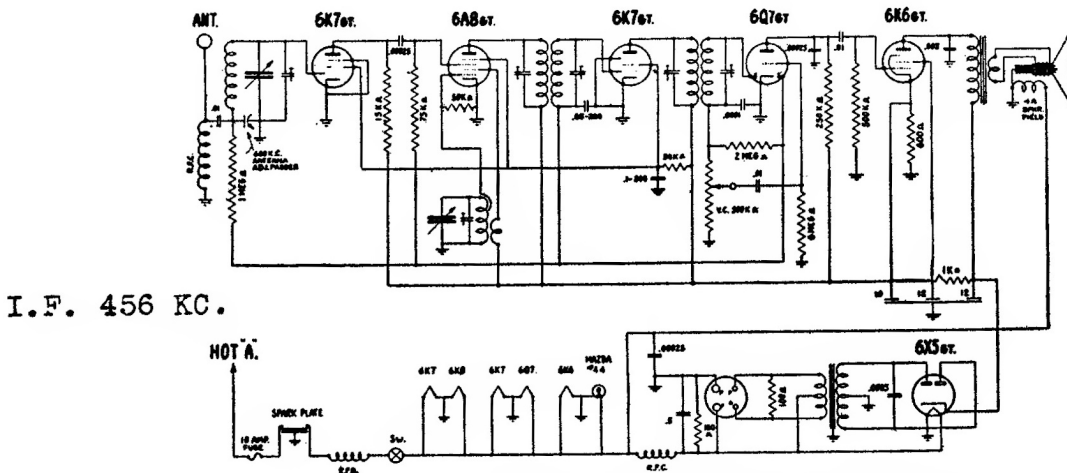


**Spiegel, Inc. Model T618. (DP-7002-3-4)**

| PART NO. | SCHEMATIC LOCATION | DESCRIPTION                           |
|----------|--------------------|---------------------------------------|
| 3-6      | R1                 | 1 MEG. 1/2 WATT 20% RESISTOR          |
| 3-38     | R2                 | 1500 Ω                                |
| 3-17     | R3                 | 100000 Ω                              |
| 3-28     | R4                 | 30000 Ω                               |
| 3-141    | R5                 | 6 MEG.                                |
| 3-4      | R6                 | 50000 Ω                               |
| 3-2      | R7                 | 2 MEG.                                |
| 3-34     | R8                 | 100 Ω                                 |
| 3-1      | R9                 | 500000 Ω                              |
| 3-313    | R10                | 50 Ω                                  |
| 5-301    | R11                | 1 MEGOHM VOLUME CONTROL               |
|          | SW                 | SWITCH                                |
| 6-14     | C1                 | .05 MFD. 400 VOLTS CONDENSER          |
| 6-30     | C2                 | .25 " 200 "                           |
| 6-6      | C3                 | .0001 " MICA                          |
| 6-3      | C4                 | .01 " 400 VOLTS                       |
| 6-10     | C5                 | .00025 " MICA                         |
| 6-305    | C6                 | .0005 " 600 VOLTS                     |
| 6-306    | C7                 | .005 " "                              |
| 6-28     | C8                 | .1 " 400 "                            |
| 7-301    | { C9<br>C10        | { 40 = 150<br>12 = 150 } ELECTROLYTIC |



**Spiegel, Inc. Model TA616. (DP-7450 and EP-2450)**



I.F. 456 KC.