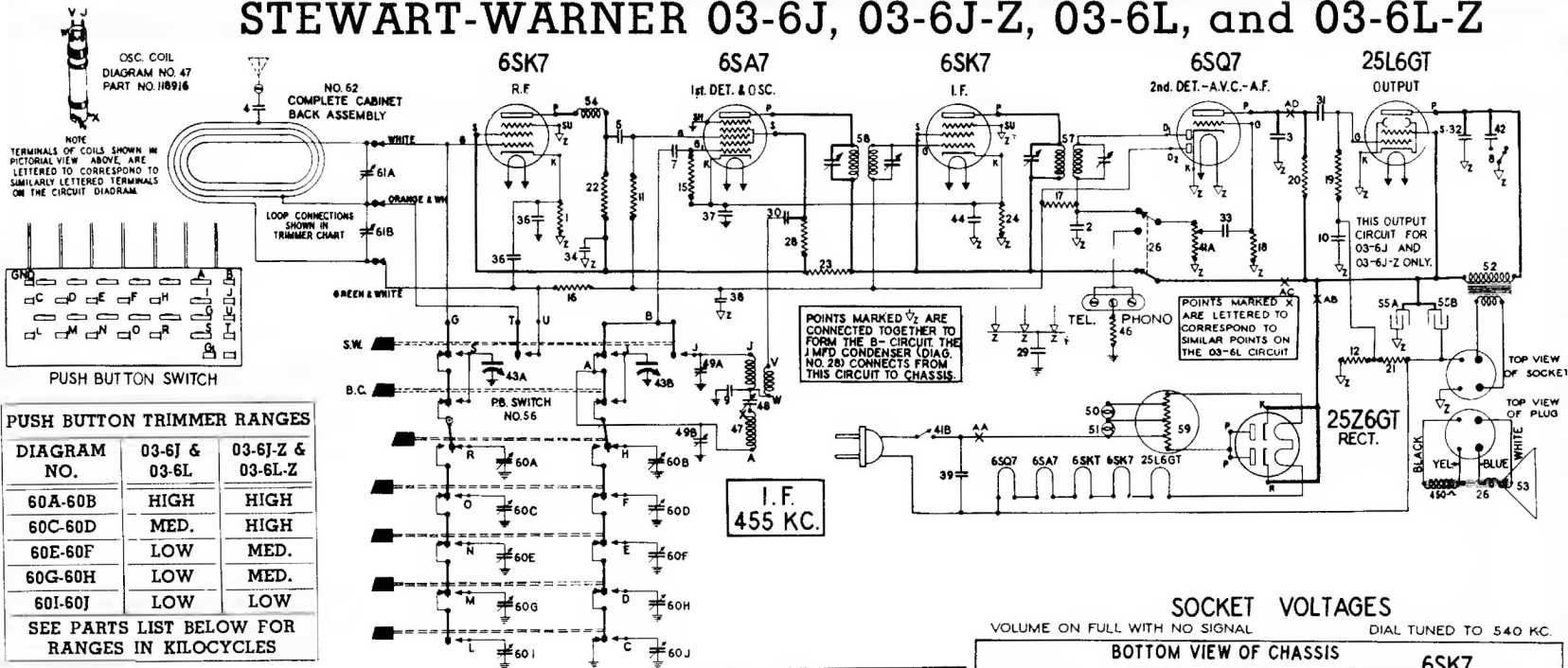
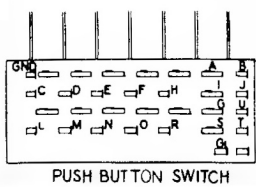


# STEWART-WARNER 03-6J, 03-6J-Z, 03-6L, and 03-6L-Z



OSC. COIL  
DIAGRAM NO. 47  
PART NO. 118916

NOTE  
TERMINALS OF COILS SHOWN IN PICTORIAL VIEW ABOVE ARE LETTERED TO CORRESPOND TO SIMILARLY LETTERED TERMINALS ON THE CIRCUIT DIAGRAM



**PUSH BUTTON TRIMMER RANGES**

DIAGRAM NO.	03-6J & 03-6L	03-6J-Z & 03-6L-Z
60A-60B	HIGH	HIGH
60C-60D	MED.	HIGH
60E-60F	LOW	MED.
60G-60H	LOW	MED.
60I-60J	LOW	LOW

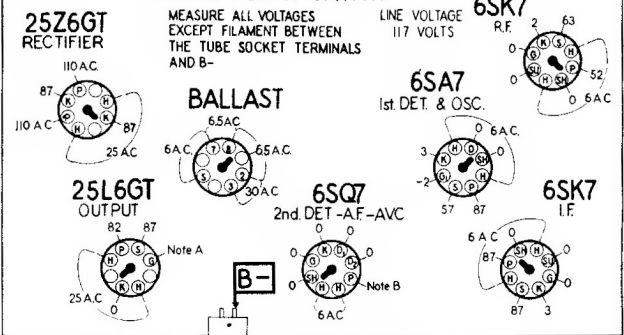
SEE PARTS LIST BELOW FOR RANGES IN KILOCYCLES

I.F.  
455 KC.

## SOCKET VOLTAGES

VOLUME ON FULL WITH NO SIGNAL DIAL TUNED TO 540 KC.

### BOTTOM VIEW OF CHASSIS

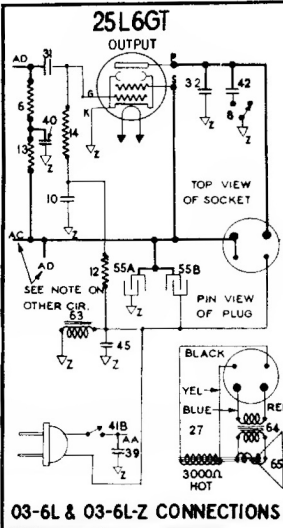


### REAR OF CHASSIS

These readings taken using a voltmeter of 1000 ohms per volt.

**NOTE A:** The bias on the 25L6GT grid is: on 03-6J chassis: —4 volts measured across resistor No. 12; on 03-6L chassis: —5 volts measured across choke No. 63.

**NOTE B:** Due to the high resistance of resistors No. 20, 6, and 13, only a small voltage will be read at the plate of the 6SQ7 when using a voltmeter having a resistance of 1000 ohms per volt.



03-6L & 03-6L-Z CONNECTIONS

- 1 Resistor—carbon 400 ohms 1/4 watt.
- 2,3 Condenser—mica 260 mmd.
- 4,5 Condenser—mica 110 mmd.
- 6 Resistor—carbon 470,000 ohms 1/4 watt
- 7 Condenser—mica 51 mmd.
- 8 Switch—tone
- 9 Condenser—mica .002 mfd.
- 10 Condenser—10 mfd. 35 volt (03-6L & 03-6L-Z only)
- 11 Resistor—carbon 47,000 ohms 1/4 watt.
- 12 Resistor—carbon 220,000 ohms 1/4 watt
- 13-14 Resistor—carbon 220,000 ohms 1/4 watt (03-6L & 03-6L-Z only)
- 15 Resistor—carbon 100,000 ohms 1/4 watt
- 16 Resistor—carbon 470,000 ohms 1/4 watt
- 17-18 Resistor—carbon 3.3 meg. 1/4 watt (03-6J & 03-6L-Z only)
- 19 Resistor—carbon 330,000 ohms 1/4 watt (03-6J & 03-6L-Z only)
- 20-21 Resistor—carbon 680,000 ohms 1/4 watt (03-6J & 03-6L-Z only)
- 22 Resistor—carbon 3,300 ohms 1/4 watt
- 23 Resistor—carbon 1,500 ohms 1/4 watt
- 24 Resistor—carbon 220 ohms 1/4 watt
- 25 Switch—D.P.D.T.
- 26 Speaker—dynamic (S\*) (03-6J & 03-6L-Z only)
- 27 Speaker—dynamic (8") (03-6L7 & 03-6L17-Z)
- 28 Resistor—carbon 680 ohms 1/4 watt
- 29 Condenser—1 mfd. 600 volt.
- 30-31-32 Condenser—.01 mfd. 600 volt.
- 33 Condenser—.004 mfd. 600 volt.
- 34 Condenser—2 mfd. 600 volt.
- 35 to 39 Condenser—.05 mfd. 600 volt.
- 40 Condenser—.05 mfd. 600 volt (03-6L & 03-6L-Z only)
- 41-41B Volume control—1 megohm (with switch).
- 42 Condenser—.04 mfd. 600 volts
- 43-43B Condenser—tuning (with drum)
- 44 Condenser—.25 mfd. 600 volts
- 45 Condenser—.25 mfd. 150 volts (03-6L & 03-6L-Z only)
- 46 Resistor—220,000 ohms 1/4 watt (on Under-Cath.)
- 47 Cathode resistor (approved sets)
- 48 Cathode resistor (padding)
- 49A-49B Transformer—1/2 section
- 50-51 Lamp—did 8.3 volts .25 amps.