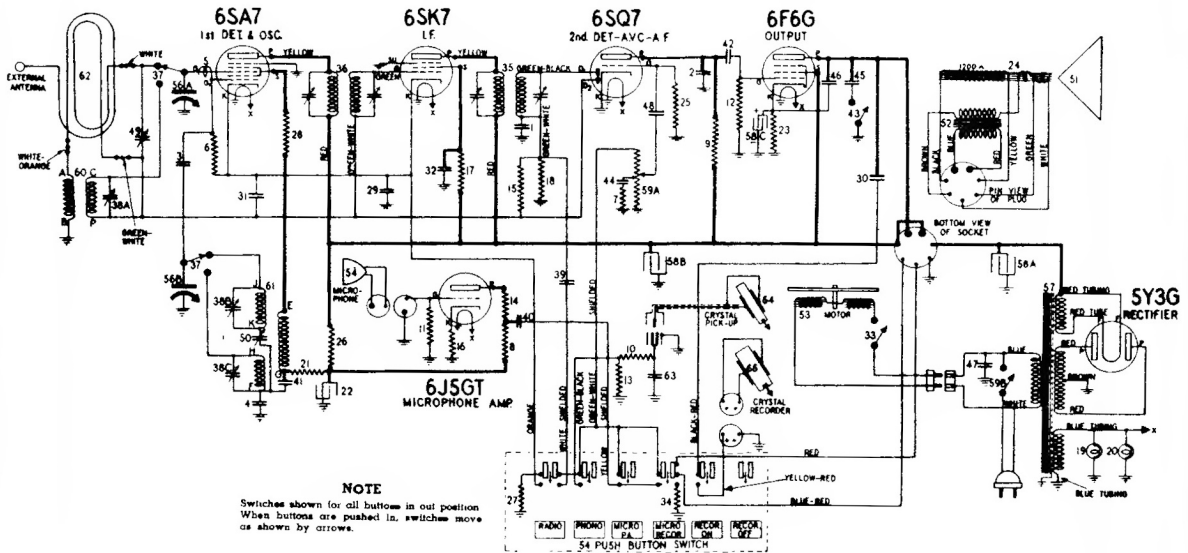


STEWART-WARNER 11-6T and 11-6T-S CHASSIS

(Receiver Models 11-6T1 to 11-6T9 and 11-6T1-S to 11-6T9-S)



NOTE
Switches shown for all buttons in out position. When buttons are pushed in, switches move as shown by arrows.

ELECTRICAL PARTS

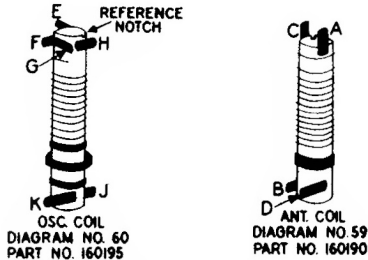
Diagram Number	Part Number	Description	List Price
1-2	83539	Condenser—mica 250 m.mfd.	50.20
3	98173	Condenser—mica 50 m.mfd.	30
4	98587	Condenser—mica 0042 mfd.	35
5	110510	Condenser—wire 3 m.mfd.	12
6-7-8	110552	Resistor—carbon 47,000 ohms 1/4 watt.	12
9-10	110553	Resistor—carbon 220,000 ohms 1/4 watt.	12
11	110554	Resistor—carbon 1 megohm 1/4 watt.	12
12	110555	Resistor—carbon 470,000 ohms 1/4 watt.	12
13	110564	Resistor—carbon 100,000 ohms 1/4 watt.	12
14	110565	Resistor—carbon 22,000 ohms 1/4 watt.	12
15	110570	Resistor—carbon 2.2 meg. 1/4 watt.	15
16	110573	Resistor—carbon 2,200 ohms 1/4 watt.	12
17	110578	Resistor—carbon 68,600 ohms 1/4 watt.	12
18	110584	Resistor—carbon 330,000 ohms 1/4 watt.	12
19-20	110829	Dial light—6.3 volt.	10
21	112952	Resistor—carbon 3,300 ohms 1/4 watt.	10
22	114009	Condenser—electrolytic 4 mfd. 350 volt.	72
23	114325	Resistor—wire wound 430 ohms 2 watts.	20
24	U 115107	Speaker—dynamic 6"	6.10
25	116050	Resistor—insulated 10 meg. 1/2 watt.	12
26	116055	Resistor—carbon 22,000 ohms 1/4 watt.	12
27-28	116082	Resistor—150 ohms 1/4 watt.	12
29-30	116825	Condenser—1 mfd. 600 volt.	25
31-32	116819	Condenser—.05 mfd. 600 volt.	30
33	116964	Switch—on-off for phono motor with section.	32
34	118819	Resistor—5 ohms 1 watt wire wound.	14
35	118024	Transformer—2nd I.F.	1.15
36	118042	Transformer—1st I.F.	1.10
37	118055	Range switch.	50

Diagram Number	Part Number	Description	List Price
38A to 38C	119174	Condenser—trimmer—3 section.	45
39-40-41-42	119183	Condenser—.01 mfd. 600 volt.	15
43	119214	Switch—tone control.	15
44-45	119414	Condenser—.02 mfd. 600 volt.	15
46	119416	Condenser—.008 mfd. 600 volt.	15
47	119757	Condenser—control (dial) 01 mfd. 600 volt.	20
48	119817	Condenser—.004 mfd. 600 volt.	15
48	119845	Condenser—trimmer (on loop).	16
49	119934	Condenser—padder.	36
51	U 160028	Cone & voice coil for U 115107 speaker.	1.60
52	U 160029	Transformer—output for U 115107 speaker.	1.55
53	160036	Motor (less turntable).	6.00
54	160038	Microphone.	12.50
55	160111	Push button switch.	2.30
56A 56B	160170	Condenser—variable tuning.	2.40
57	160172	Transformer—power (50-60 cycles).	4.20
58A to 58C	160174	Condenser—electrolytic Section A—20 mfd. 400 volt. Section B—15 mfd. 400 volt. Section C—10 mfd. 25 volt.	1.30
58A 58B	160175	Volume control—1 meg. (with switch).	1.40
60	160180	Coil—antenna (S.W.).	.44
61	160195	Coil—selective.	.75
62	160279	Loop antenna & cabinet back (complete) (Model 11-6T9).	14.00
63	160763	Loop antenna & cabinet back (with trimmer) (Model 11-6T9).	1.40
64	160430	Condenser—.001 mfd. 600 volt.	.15
64	161298	Crystal Pickup Cartridge.	5.00
65	161298	Crystal Recorder Cartridge.	9.50

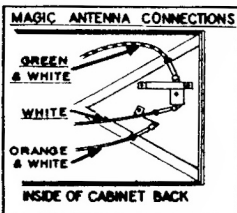
DIAL AND MISCELLANEOUS PARTS

Part Number	Description	List Price
117117	Cable—motor	\$0.36
114855	Clamp—for dial cord	.01
113019	Clip—dial scale retaining	.01
117057	Cord—drive (supplied in 3 ft. lengths)	.15
160200	Dial scale	.28
113208	Excitecon—dial	.80
119167	Knob	.10
119166	Knob—push button	.09
117769	Name Plate (S.W.) (Model 11-6T8).	.07
117779	Name Plate (O.H.Vol.) (Model 11-6T8).	.05
117780	Name Plate (Tuning) (Model 11-6T8).	.05
161206	Name Plate (Tone) (Model 11-6T8).	.08
161207	Name Plate (F.B.) (Model 11-6T8).	.06
160033	Needle cup	.98
160137	Phonograph needles	Envelope of 10 .10
116883	Pointer	.16
81145	Retaining ring for drive shaft.	Per C 50
118218	Screw—excitecon mounting	.02
119204	Shalt—tuning	.10
111006	Socket—dial lamp	.12
160037	Socket—2 prong	.10
160171	Socket—4 prong	.12
160038	Socket—7 prong for speaker.	.14
118791	Socket—8 prong	.12
114876	Socket—octal	.15
160039	Socket for pick up.	.08
113177	Spring—dial cord tension	.38
161245	Tobe & windows for recorder push buttons	.10
111456	Washer—spring washer	Per C 50

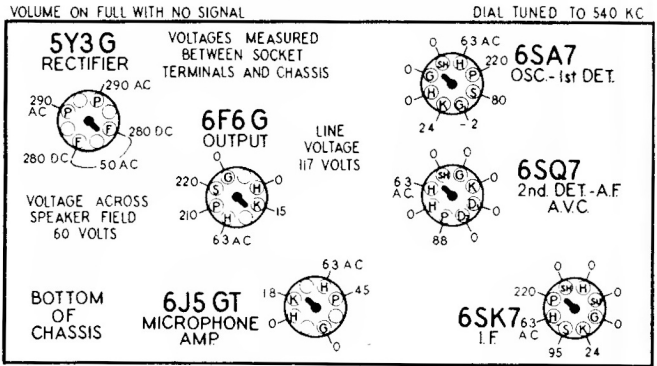
PRICES SUBJECT TO CHANGE WITHOUT NOTICE.



The terminals of the coils illustrated above are lettered to correspond to similarly lettered terminals on the circuit diagram.



SOCKET VOLTAGES



REAR OF CHASSIS

Use a high resistance voltmeter of 1000 ohms per volt.