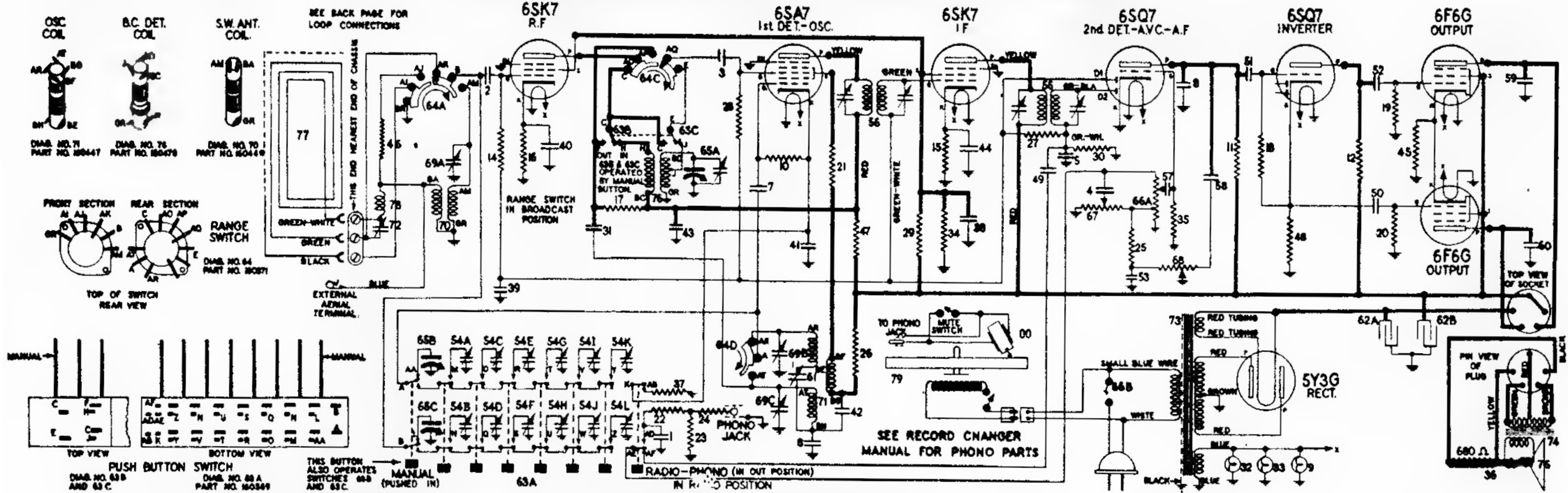


# STEWART-WARNER 11-8D and 11-8D-Z CHASSIS

RECEIVER MODELS 11-8D1 TO 11-8D9 & 11-8D1-Z TO 11-8D9-Z



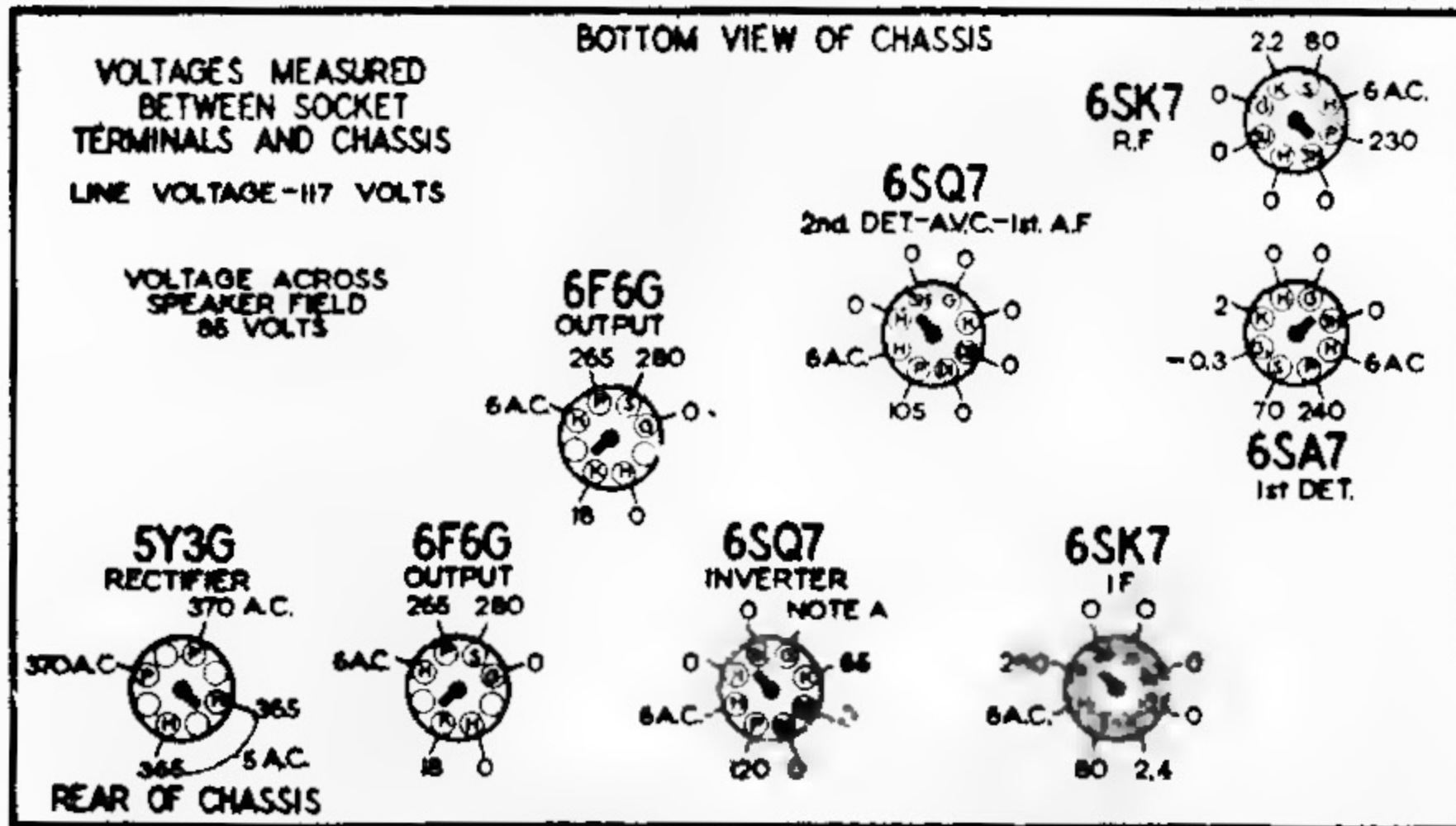
### PUSH BUTTON TRIMMER RANGES

TRIMMER COMPONENTS	11-8D RANGE	11-8D-Z RANGE
54K & 54L	540 KC. to 1000 KC.	540 KC. to 1000 KC.
54I & 54J	540 KC. to 1000 KC.	540 KC. to 1000 KC.
54G & 54H	540 KC. to 1000 KC.	750 KC. to 1375 KC.
54E & 54F	750 KC. to 1375 KC.	750 KC. to 1375 KC.
54C & 54D	750 KC. to 1375 KC.	880 KC. to 1550 KC.
54A & 54B	880 KC. to 1550 KC.	880 KC. to 1550 KC.

### SOCKET VOLTAGES

RANGE SWITCH IN BROADCAST POSITION  
VOLUME ON FULL WITH NO SIGNAL

MANUAL BUTTON PUSHED IN  
DIAL TUNED TO 540 KC



USE A HIGH RESISTANCE VOLTMETER OF 1000 OHMS PER VOLT

NOTE A: The voltage between chassis and the grid of the 6SQ7 Phase Inverter is 65 volts. This voltage cannot be measured with a meter of 1000 ohms per volt because of the high resistance of resistor No. 18.

SERVICE DATA FOR THE RECORD CHANGER  
IS IN SEPARATE BOOKLET FORM J-22200.

### ELECTRICAL PARTS

Diagram Number	Part Number	Description	List Price
1	81155	Condenser—500 mmfd. mica	.25
2 to 4	83539	Condenser—mica, 250 mmfd.	.20
5-6	83783	Condenser—mica, 110 mmfd.	.20
7	85563	Condenser—mica 28 mmfd.	.15
6	88587	Condenser—mica .0042 mfd.	.35
9	85298	Lamp—Turntable light, 6 to 6 volt (Mazda 51)	.18
10	110552	Resistor—carbon 47,000 ohms 1/4 watt	.12
11 to 13	110553	Resistor—carbon 220,000 ohms 1/4 watt	.12
14	110554	Resistor—carbon 1 megohm 1/4 watt	.12
15-16	110556	Resistor—carbon 330 ohms 1/4 watt	.12
17	110557	Resistor—carbon 4700 ohms 1/4 watt	.12
18 to 20	110559	Resistor—carbon 470,000 ohms 1/4 watt	.12
21	110560	Resistor—carbon 100 ohms 1/4 watt	.12
22 to 24	110564	Resistor—carbon 100,000 ohms 1/4 watt	.12
25	110566	Resistor—carbon 33,000 ohms 1/4 watt	.12
26	110567	Resistor—carbon 15,000 ohms 1/4 watt	.15
27	118570	Resistor—carbon 2.2 meg. 1/4 watt	.15
28	110578	Resistor—carbon 88,000 ohms 1/4 watt	.12
29	110581	Resistor—carbon 18,000 ohms 2 watt	.30
30	110584	Resistor—carbon 330,000 ohms 1/4 watt	.12
31	161315	Condenser—5 mmfd. (twisted wire)	.16
32-33	112636	Lamp—dial (frosted) 6-8 volt	.25
34	112954	Resistor—carbon 10,000 ohms 1 watt	.16
35	112975	Resistor—carbon 10 meg. 1/4 watt	.12
36	M-115110	Speaker—12 inch	12.00
37	116077	Resistor—carbon 150 ohms 1/4 watt	.12
38	118825	Condenser—.1 mfd. 600 volt	.25
39 to 44	118616	Condenser—.05 mfd. 600 volt	.28
45	117570	Resistor—wire wound 260 ohms 2 watt	.24
46	118804	Resistor—carbon 400 ohms 1/4 watt	.10
47	118824	Resistor—carbon 1500 ohms 1/2 watt	.12
48	118825	Resistor—carbon 180,000 ohms 1/4 watt	.12
49 to 52	119189	Condenser—.01 mfd. 600 volt	.15
53	117571	Condenser—.008 mfd. 600 volt	.15
54A to 54L	119662, 119663, 119664	Condenser—P. B. Trimmer (low freq.), (med. freq.), (high freq.)	.24, .24, .24
55	119024	Transformer—2nd I. F.	1.15
56	119042	Transformer—1st I. F.	1.10
57-58	118817	Condenser—.004 mfd. 600 volt	.15
59-60	119875	Condenser—.002 mfd. 600 volt	.15
81	119934	Condenser—padding	.38
62A-62B	160008	Condenser—electrolytic { A-30 mfd. 450 volts } { B-15 mfd. 450 volts }	1.50
63A to 63C	160368	Push button switch	3.00
64A to 64D	180371	Range switch	1.00
65A to 85C	160373	Condenses—variable tuning	3.20
66A-66B	160412	Volume control—2 meg. (with switch)	1.40
67	160413	Tone control (5 meg.) treble	.85
68	160414	Tone control (1 meg.) base	.85
69A to 69C	160415	Condenser—trimmer 3 section	.48
70	160444	Coil—short wave antenna	.54
71	160447	Coil—oscillator	.90
72	160449	Condenser—trimmer for loop	.18
73	160450	Transformer—power (50-60 cycle)	8.35
74	M-160464	Transformer—output for M-115110 speaker	1.80
75	M-160485	Cone & voice coil for M-115110 speaker	1.80
76	160478	B. F. coil (interstage B.C.)	.80
77	160572	Loop antenna complete	3.80
78	161228	Coil—loop compensating	.25
79	180086	Motor (60 cycle)	8.85
88	181299	Crystal cartridge	5.00