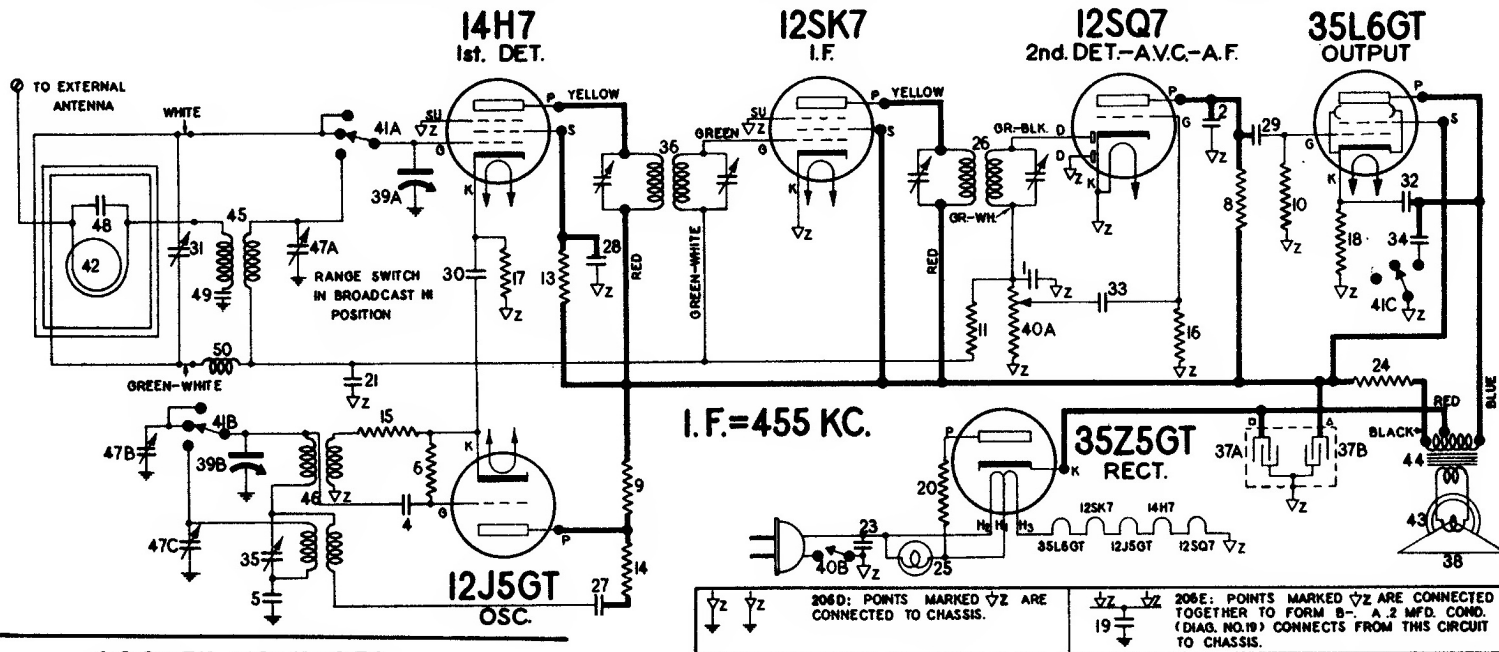


# STEWART-WARNER 206D & 206E CHASSIS

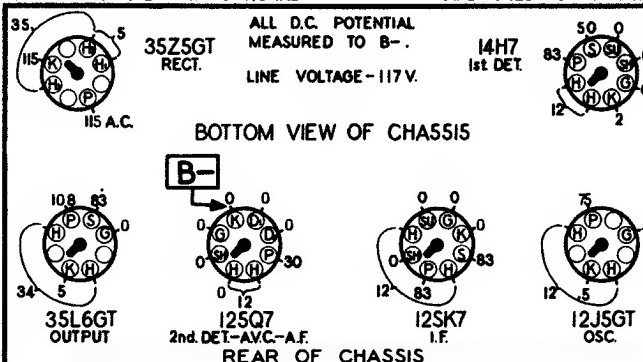
RECEIVER MODELS 206DA to 206DZ and 206EA to 206EZ

THIS MANUAL APPLIES ONLY TO RECEIVERS WITH P.M. SPEAKERS



## SOCKET VOLTAGES

VOLUME ON FULL WITH NO SIGNAL DIAL TUNED TO 540 KC.



USE A VOLTMETER OF 1000 OHMS PER VOLT

Diagram

Diagram No.	Part No.	Description
1-2	83539	Condenser, Mica 260 Mmfd.
4	83783	Condenser, Mica 110 Mmfd.
5	88587	Condenser, Mica .0042 Mfd.
6	110552	Resistor, Carbon—47,000 Ohms 1/4 Watt.
8	110553	Resistor, Carbon—220,000 Ohms 1/4 Watt.
9	110557	Resistor, Carbon—4,700 Ohms 1/4 Watt.
10	110559	Resistor, Carbon—470,000 Ohms 1/4 Watt.
11	110570	Resistor, Carbon—2.2 Meg. 1/4 Watt.
13	110578	Resistor, Carbon—68,000 Ohms 1/4 Watt.
14-15	110590	Resistor, Carbon—180 Ohms 1/4 Watt.
16	110580	Resistor, Carbon—3.3 Meg. 1/4 Watt.
17	116079	Resistor, Insulated 1200 Ohms 1/4 Watt.
18	116092	Resistor, 140 Ohms 1 Watt—W.W.
19	116706	Condenser, .2 Mfd. 600 Volt (206E only).
20	116752	Resistor, 33 Ohms, 1 Watt—W.W.
21 to 23	116819	Condenser, .05 Mfd. 600 Volt.
24	118824	Resistor, Carbon—1,500 Ohms 1/2 Watt.
25	118921	Lamp, Dial (Mazda No. 47).
26	119024	Transformer, 2nd I.F.
27 to 30	119193	Condenser, .01 Mfd. 600 Volt.
31	119345	Condenser, Trimmer (Loop).
32	119414	Condenser, .02 Mfd. 600 Volt.
33	119817	Condenser, .004 Mfd. 600 Volt.

34	Condenser, .04 Mfd. 600 Volt.
35	Condenser, Padder
36	Transformer, 1st I.F.
	{ Condenser, A—40 Mfd. 150 Volt
37A-37B	{ Electrolytic B—20 Mfd. 150 Volt

SWITCH POSITION	BAND	STONE
EXTREME COUNTER-CLOCKWISE	BROADCAST	LOW
MIDDLE POSITION Shown on Circuit Diagram	BROADCAST	HIGH
EXTREME CLOCKWISE	FOREIGN	HIGH