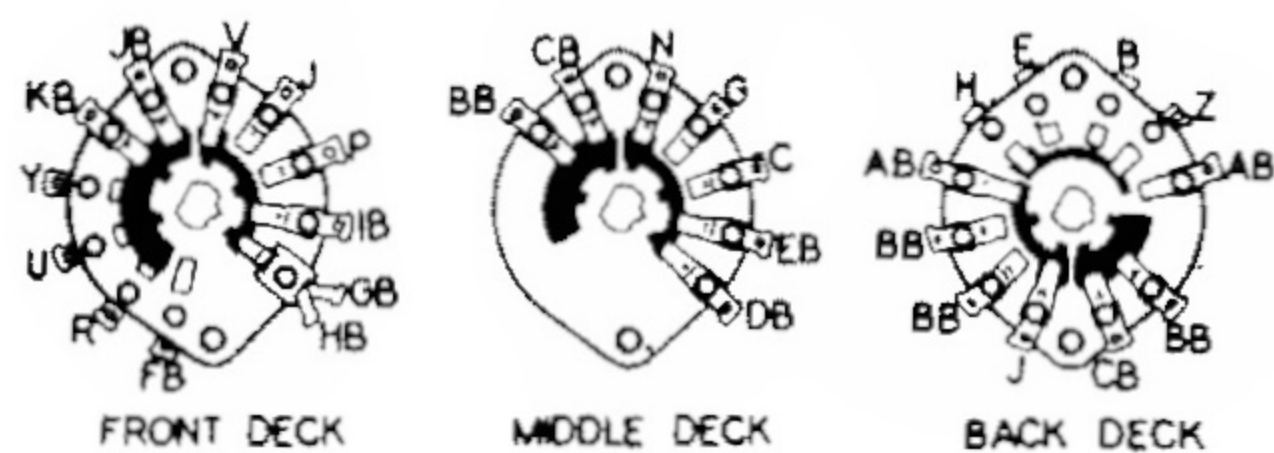
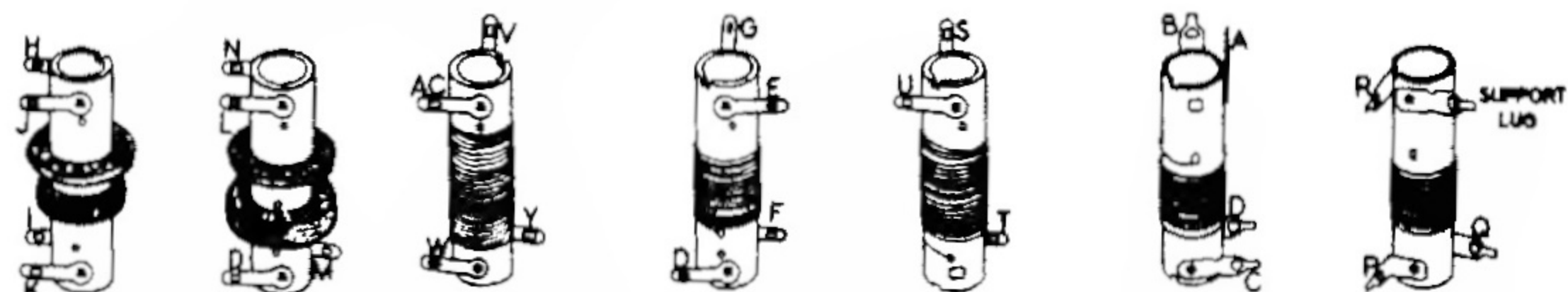
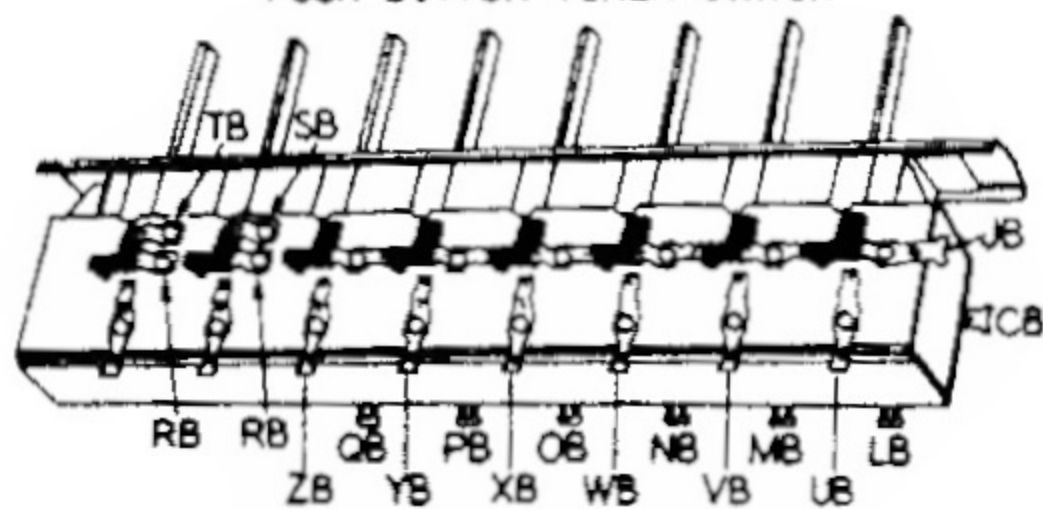


STEWART-WARNER MODELS 91-81, 98-81 AND 910-81 CHASSIS

FRONT VIEW OF RANGE SWITCH DECKS



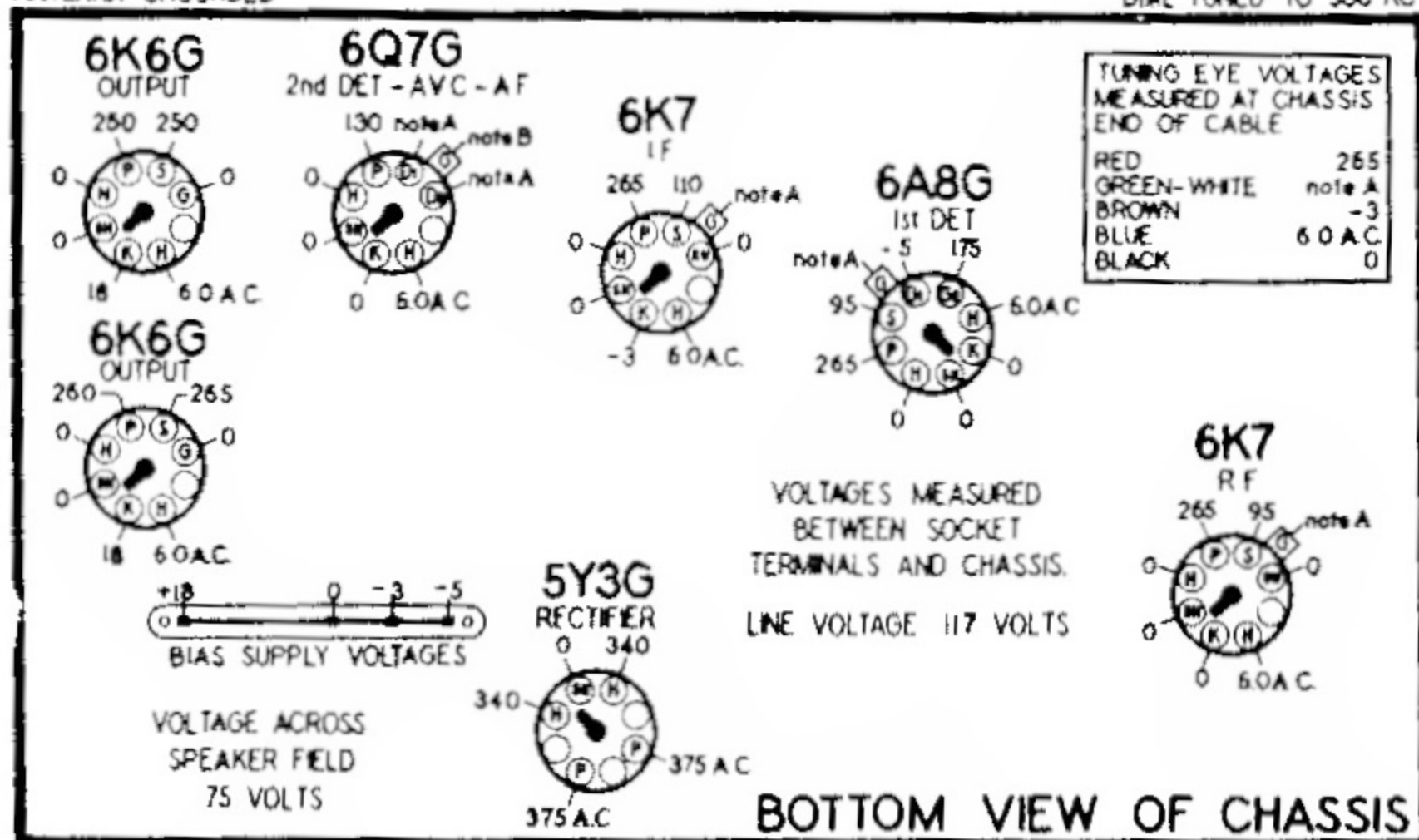
PUSH-BUTTON TUNER SWITCH



BROADCAST ANTENNA COIL 113295
 BROADCAST R.F. COIL 113296
 BROADCAST OSCILLATOR COIL 113297
 INTERMEDIATE ANTENNA COIL 113298
 INTERMEDIATE OSCILLATOR COIL 113299
 FOREIGN ANTENNA COIL 113301
 FOREIGN OSCILLATOR COIL 113302

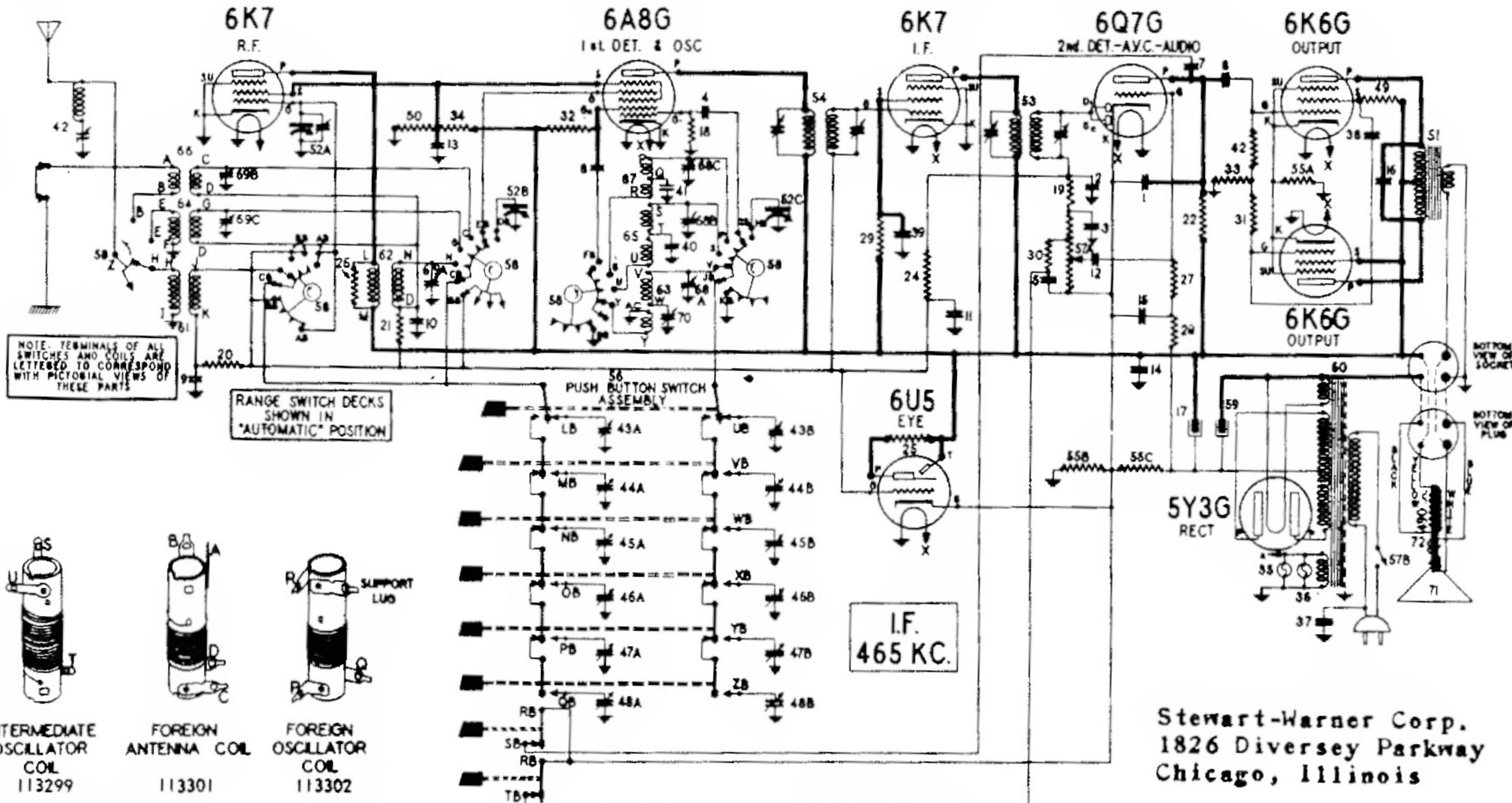
SOCKET VOLTAGES

ANTENNA GROUND DIAL TUNED TO 530 KC



REAR OF CHASSIS

Use a high resistance voltmeter of at least 1000 ohms per volt.
 NOTE A: The bias for the control grid of the 6A8-G, 6K7 R.F., 6K7 I.F., 6U5 and the diode plate of the 6Q7-G tube is -3 volts measured across resistor 55B.
 NOTE B: The bias for the control grid of the triode section of the 6Q7-G tube is -5 volts measured across resistors 55B and 55C.



Stewart-Warner Corp.
 1826 Diversy Parkway
 Chicago, Illinois

PARTS LIST

ELECTRICAL PARTS

Diagram Number	Part Number	Description	List Price
1	65539	Condenser—mica 260 mmfd.	0.20
2-3	83783	Condenser—mica 110 mmfd.	.20
4	85001	Condenser—mica 51 mmfd.	.15
5, 6	88028	Condenser—paper .02 mfd. 400 volt.	.25
7	00029	Condenser—paper .01 mfd. 400 volt.	.25
8	88180	Condenser—paper .05 mfd. 200 volt.	.25
9-10-11-12	88682	Condenser—paper .1 mfd. 400 volt.	.25
13-14	89421	Condenser—paper .1 mfd. 200 volt.	.25
15	88826	Condenser—paper .004 mfd. 750 volt.	.24
17	88937	Condenser—elect. 30 mfd. 450 volt.	1.80
18-19	110552	Resistor—carb. 47,000 ohms 1/4 watt	.12
20-21-22-23	110553	Resistor—carb. 220,000 ohms 1/4 watt	.12
24, 25	110554	Resistor—carb. 1 meg. 1/4 watt	.12
26	110557	Resistor—carb. 4700 ohm 1/4 watt	.12
27-28	110559	Resistor—carb. 470,000 ohm 1/4 watt	.12
29	110564	Resistor—carb. 100,000 ohm 1/4 watt	.12
30-31	110565	Resistor—carb. 22,000 ohm 1/4 watt	.12
32	110566	Resistor—carb. 15,000 ohm 1/4 watt	.12
33	110578	Resistor—carb. 68,000 ohm 1/4 watt	.12
34	110598	Resistor—carb. 15,000 ohm 3 watt	.25
35-36	110629	Lamp—6.3 volt—25 emps.	.15
37	111214	Condenser—paper .01 mfd. 600 volt.	.24
38-39	112352	Condenser—paper .05 mfd. 400 volt.	.13
40	112426	Condenser—mica 1650 mmfd. (3%)	.30
41	112427	Condenser—mica 4050 mmfd. (3%)	.40
42	112796	Coil—wave trap (with trimmer)	.50
43A-43B	112942	Condenser—Dual Push Button trimmer (1100 KC to 1700 KC)	.36
44A-44B	112943	Condenser—Dual Push Button trimmer (770 KC to 1350 KC)	.45
45A-45B	112944	Condenser—Dual Push Button Trimmer (550 KC to 1000 KC)	.50
46A-46B	112952	Resistor—carb. 3300 ohm 1/4 watt	.10
47A-47B	112954	Resistor—carb. 10,000 ohm 1/4 watt	.16
48A-48B	113192	Transformer—output (for model 910-81)	2.40
49	113216	Condenser—gang	6.50
50	113229	Transformer—2nd I.F.	1.64
51	113237	Transformer—1st I.F.	1.20

Diagram Number	Part Number	Description	List Price
55A to 55C	113251	Resistor—wire wd. (Sec. A, 240 ohms; Sec. B, 26 ohms; Sec. C, 18 ohms)	\$0.42
56	113253	Push Button Switch Assem.	3.80
57A-57B	113254	Volume Control—250,000 ohms (with switch)	.94
58	113253	Switch—range	2.10
59	113261	Condenser—elect. 30 mfd. 450 volt.	1.40
60	113271	Transformer—power 117 V 60 cycle	6.00
60	113662	Transformer—power 117 V 25 cycle	10.50
60	113670	Transformer—power 100-240 V, 50-133 cycles	12.00
61	113295	Coil—antenna (B.C.)	1.20
62	115206	Coil—R.F. (B.C.)	1.30
63	113297	Coil—oscillator (B.C.)	.48
64	113298	Coil—antenna (police)	.50
65	113299	Coil—oscillator (police)	.44
66	113301	Coil—antenna (S.W.)	.52
67	113302	Coil—oscillator (S.W.)	.55
68A to 68C	113310	Condenser—trimmer—3 section	.54
68A to 69C	113320	Condenser—trimmer—3 section	.54
70	113348	Condenser—padding	.38
71	R 113482	Coil—voice coil for R-115016 spkt	2.10
72	113662	Transformer—power 117 volt 25 cycle	10.50
72	113667	Transformer—output (for model 910-81)	2.40
72	113670	Transformer—power 100-240 volt 50-133 cycles	12.00
72	R-115016	Speaker—dynamic 12 inch	10.00

DIAL AND MISCELLANEOUS PARTS

Part No.	Description	List Price
67568	Washer—embossed (for mtg. electrolytic)	\$0.05
85066	Terminal Strip—C.D.A.	.20
85321	Connector—Ground	.01
85427	Socket—octal base (standard)	.15
85627	Sat Screw—8/32 square head	.02
88348	Eyelet—for dial cord	Per doz. .05
80746	Washer—(paper) for back of knobs	.005
110496	Plug—speaker (4 prong)	.12
110501	Socket—4 prong (for speaker)	.16
114026	Washer—flat steel for mtg. chassis	00.01
111085	Sleeve—fell for tuning eye	.63
111302	Cord—dial drive 6 or 30 ft. length	Per ft. .63
111855	Shield Base—for tube shields	.02
112874	Screw—No. 10 x 1 1/2 chassis mtg.	.01
112876	Screw—P. B. escutcheon mtg. No. 3 x 1/2	.01
112879	Screw—eye escutcheon mtg. No. 2 x 3/4	.03
113019	Clip—dial scale retaining	.01
113025	Socket—octal base (with special ground)	.01
113040	Light Shield—cardboard (between button holes and dial frame)	.10
113041	Knob—push on	.13
113077	Shield—tube	.08
113102	Push Button—only (See 113717 for Tone Button)	.08
113135	Escutcheon—for eye	.25
113177	Spring—dial cord tension	Per doz. .09
113189	Tab—celluloid—for push button	.12
113205	Thrust Plate—for tuning shaft	.02
113206	Pulley—on auxiliary range switch shaft	.40
113207	Gear—pinion on auxiliary range switch shaft	.25
113208	Dial End Cup—right side	.14
113240	Pointer—dial	.14
113281	Shaft—tuning	.12
113282	Cable and Plug—for tuning eye	.66
113284	Shaft—auxiliary, for range switch	.12
113500	Dial Scale—(celluloid roll)	1.45
113321	Tab—station call letters (4 sheets) (brown) Per set	.40
113323	Tab—trimmer range (550 to 1000)	Per doz. .09
113324	Tab—trimmer range (770 to 1350)	.01
113325	Tab—trimmer range (1100 to 1700)	.01
113338	Drum—dial drive	.34
113340	Socket—dial lamp	.22
113347	Gear—on range switch shaft	.20
113348	Bracket—dial (R.H.)	.40
113349	Bracket—dial (L.H.)	.32
113352	Pulley—Right End of Roller Dial Shaft	.20
113353	Dial End Cup—left side	.18
113354	Escutcheon—dial	2.50
113355	Escutcheon—ground push-button	1.00
113442	Bracket—for tuning eye	.16
113463	Rubber Bushing—chassis mtg.	.03
113717	Tone Control Push Button (with nick)	.10
113718	Celluloid Window (for escutcheon)	.85