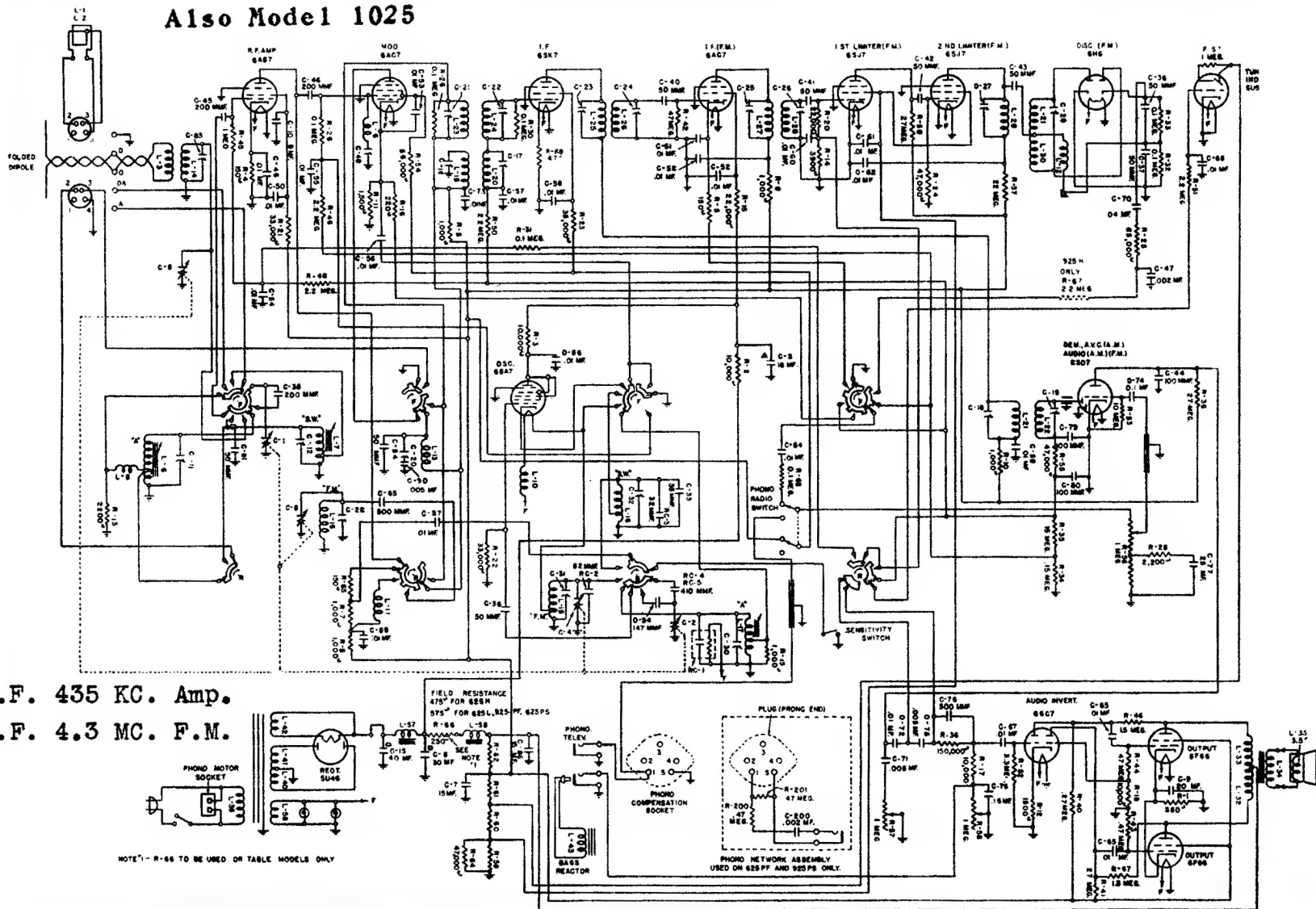


STROMBERG-CARLSON NO. 925 RADIO RECEIVERS

STROMBERG-CARLSON TELEPHONE MANUFACTURING COMPANY
ROCHESTER, NEW YORK

Also Model 1025



I.F. 435 KC. Amp.

I.F. 4.3 MC. F.M.

NOTE 1 - R-66 TO BE USED ON TABLE MODELS ONLY

Stromberg-Carlson Models 925 and 1025

CONTINUITY TEST

NOTE: These receivers use either a 6AC7 or 7V7 tube in the modulator stage. (See wiring diagram)

to electrolytic capacitors in the circuit. When this is the case, be sure to reverse the test leads and read the highest resistance.

Remove all tubes and disconnect all plugs from the chassis before checking continuity.

Read from indicated terminals to chassis base unless otherwise specified.

Use a good meter capable of measuring accurately up to several megohms.

The resistances given are often approximate, owing

TERMINALS OF SOCKETS									
Tube	Circuit	1	2	3	4	5	6	7	8
6AB7	R. F. Amplifier	S	S	S	A	150 Ω	50000 Ω	S	21000 Ω
6AC7 or 7V7	Modulator	S	S	S	B	C	80000 Ω	S	18000 Ω
		S	18000 Ω	80000 Ω	S	S	S	C	S
6SA7	Oscillator	S	S	35000 Ω	35000 Ω	30000 Ω	S	S	35000 Ω
6SK7	I. F. Amplifier	S	S	S	2M	S	70000 Ω	S	18000 Ω
6AC7	2nd I. F. Amplifier (F. M.)	S	S	S	450000 Ω	D	45000 Ω	S	18000 Ω
6SJ7	1st Limiter (F. M.)	S	S	S	22000 Ω	S	3500 Ω	S	280000
6SJ7	2nd Limiter (F. M.)	S	S	S	40000 Ω	S	4000 Ω	S	240000
6H6	Discriminator (F. M.)	S	S	100000	S	100000 Ω	100000 Ω	S	180000
6SQ7	Demod., A. V. C. (A. M.), Audio Amplifier	S	10M	S	E	S	250000	S	S
6SC7	Audio Amp. and Inverter	S	220000	9000 Ω	3M	200000 Ω	1200 Ω	S	S
6F6G	Output	S	S	17000 Ω	17000 Ω	400000 Ω	O	S	290 Ω
6F6G	Output	S	S	17000 Ω	170000 Ω	400000 Ω	O	S	290 Ω
5U4G	Rectifier	O	20000 Ω	O	50 Ω	O	60 Ω	O	20000 Ω
6U5	Tuning Indicator	S	1M	2M	14000 Ω	S	S	—	—

Symbols shown on chart are as follows: Ω —ohms; M—megohms; S—short; O—open.

NORMAL VOLTAGE READINGS

TERMINALS OF SOCKETS									
Tube	Circuit	1	2	3	4	5	6	7	8
6AB7	R. F. Amplifier	0	0	0	0	+2.4	+182	6.3	+275
6AC7		0	0	0	0	+6	+218	6.3	+300
6AC7 or 7V7	Modulator	0	+300	+218	0	0	0	+6	6.3
6SA7	Oscillator	0	0	+120	+120	-5	0	6.3	+120
6SK7	I. F. Amplifier	0	0	0	0	0	+110	6.3	+290
6AC7	2nd I. F. Amplifier (F. M.)	0	0	0	0	+8	+265	6.3	+300
6SJ7	1st Limiter (F. M.)	0	0	0	0	0	+54	6.3	+2
6SJ7	2nd Limiter (F. M.)	0	0	0	0	0	+54	6.3	+3
6H6	Discriminator (F. M.)	0	0	0	0	0	0	6.3	0
6SQ7	Demod., A. V. C. (A. M.), Audio Amplifier	0	0	0	0	0	+100*	0	6.3
6SC7	Audio Amp. and Inverter	0	+140*	0	0	+130*	+2	6.3	0
6F6G	Output	0	0	+340	+300	0	0	6.3	+22
6F6G	Output	0	0	+340	+300	0	0	6.3	+22
5U4G	Rectifier	0	+450	0	415	0	415	0	+450
6U5	Tuning Indicator	6.3	+80	0	+250	0	0	—	—

*Read on 1000 volt scale of voltmeter.

Between terminals 2 and 8 of rectifier socket—5 volts A. C.