

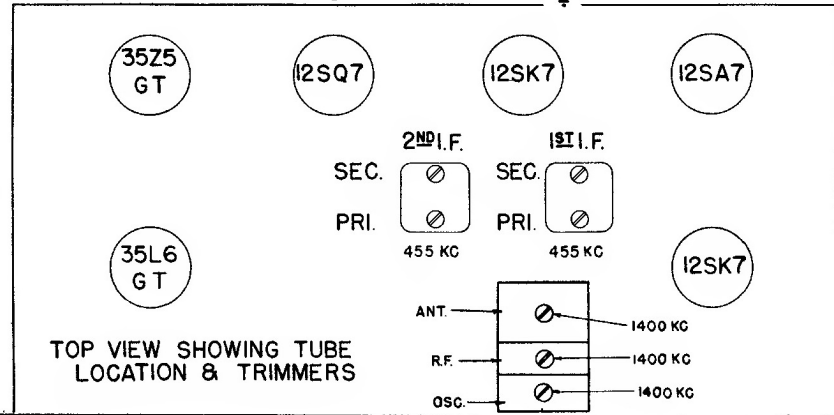
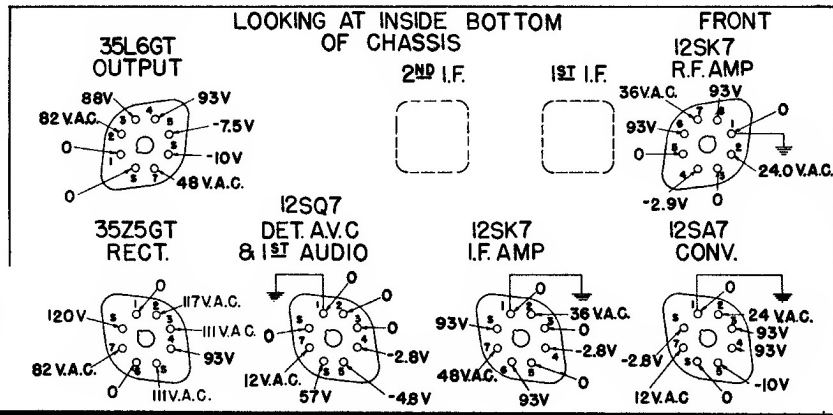
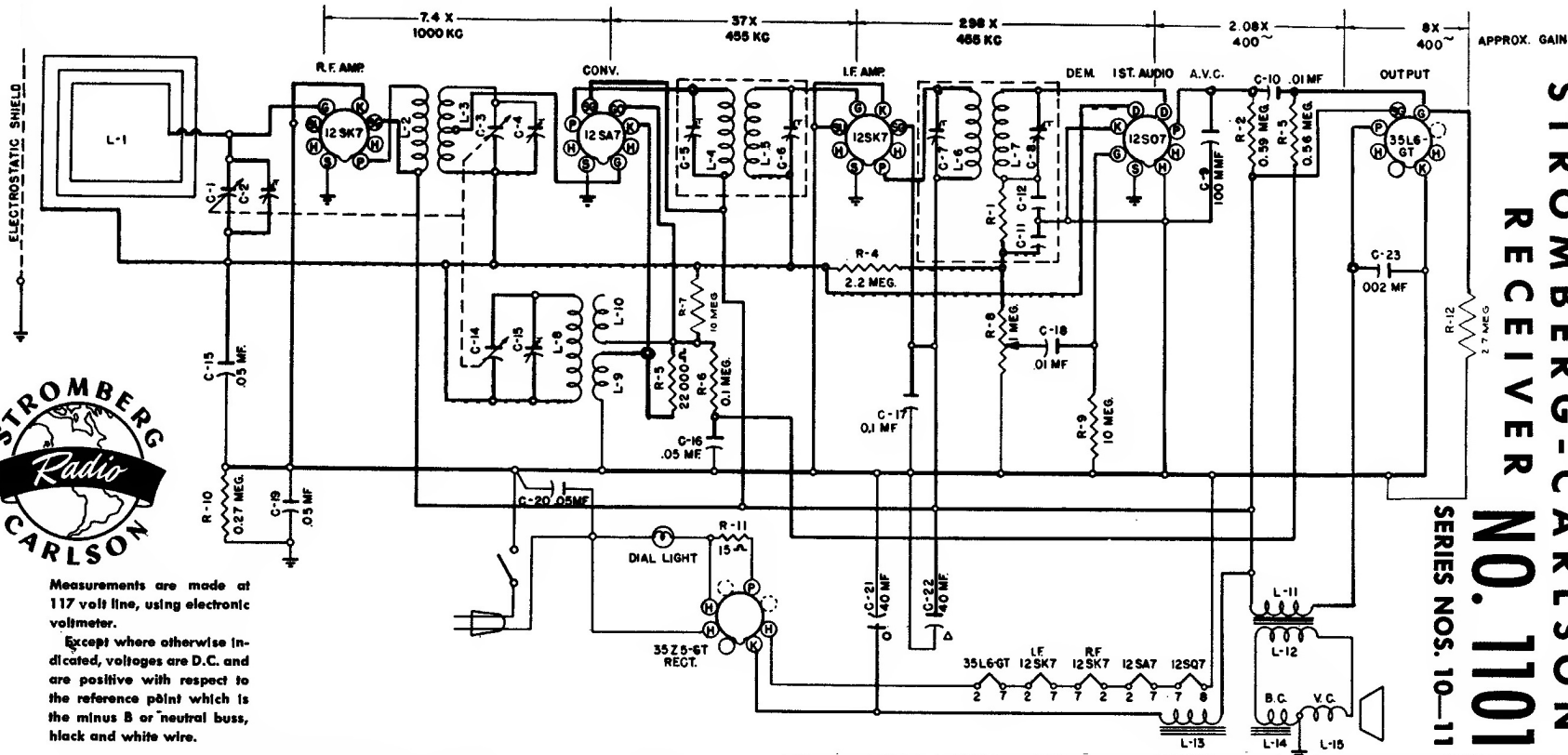


Measurements are made at 117 volt line, using electronic voltmeter.

Except where otherwise indicated, voltages are D.C. and are positive with respect to the reference point which is the minus B or neutral buss, black and white wire.

# STROMBERG-CARLSON RECEIVER NO. 1101

SERIES NOS. 10-11



STROMBERG-CARLSON CO., ROCHESTER 3, N. Y.

Model No. 1101, Series Nos. 10-11

