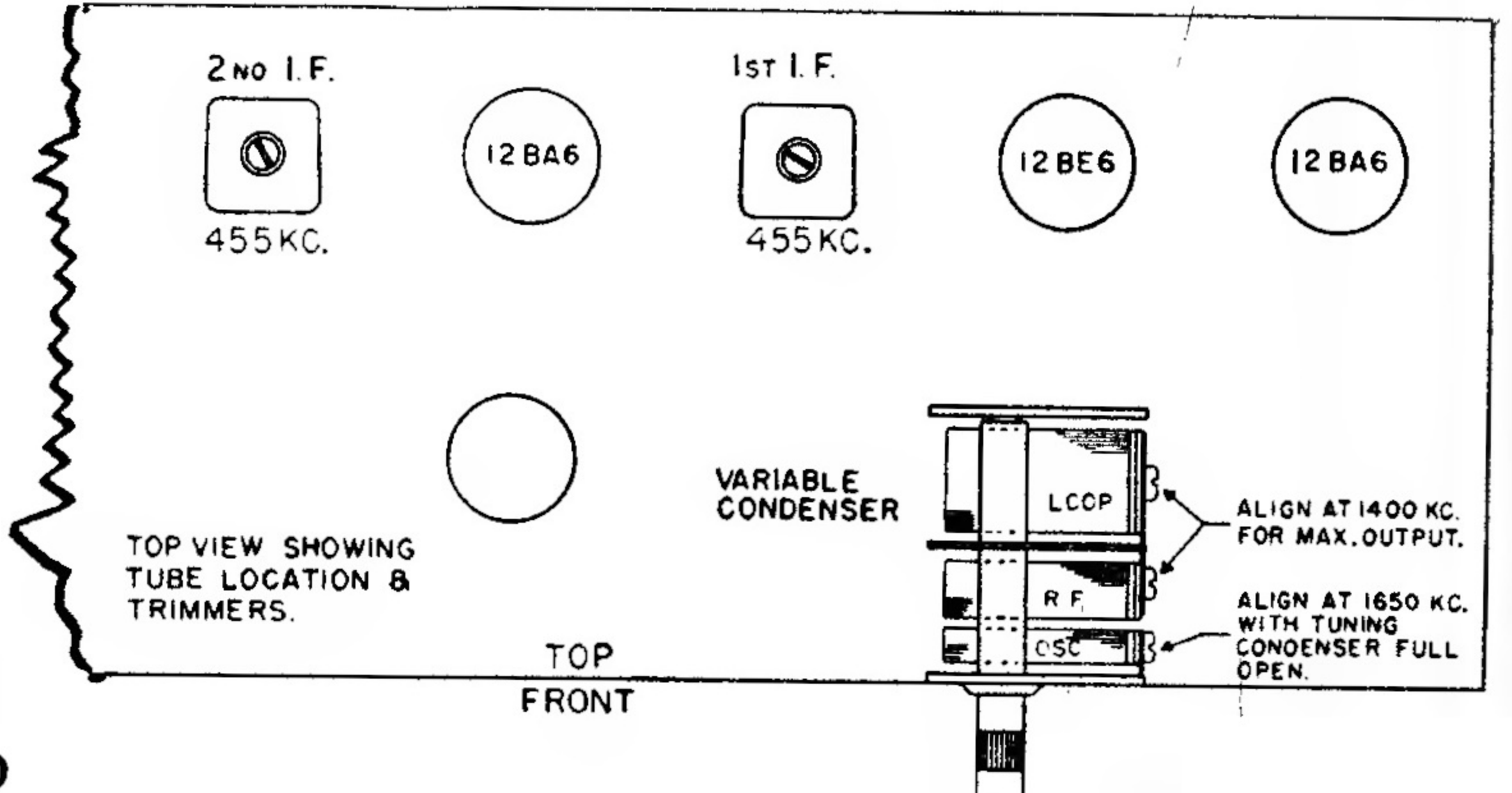
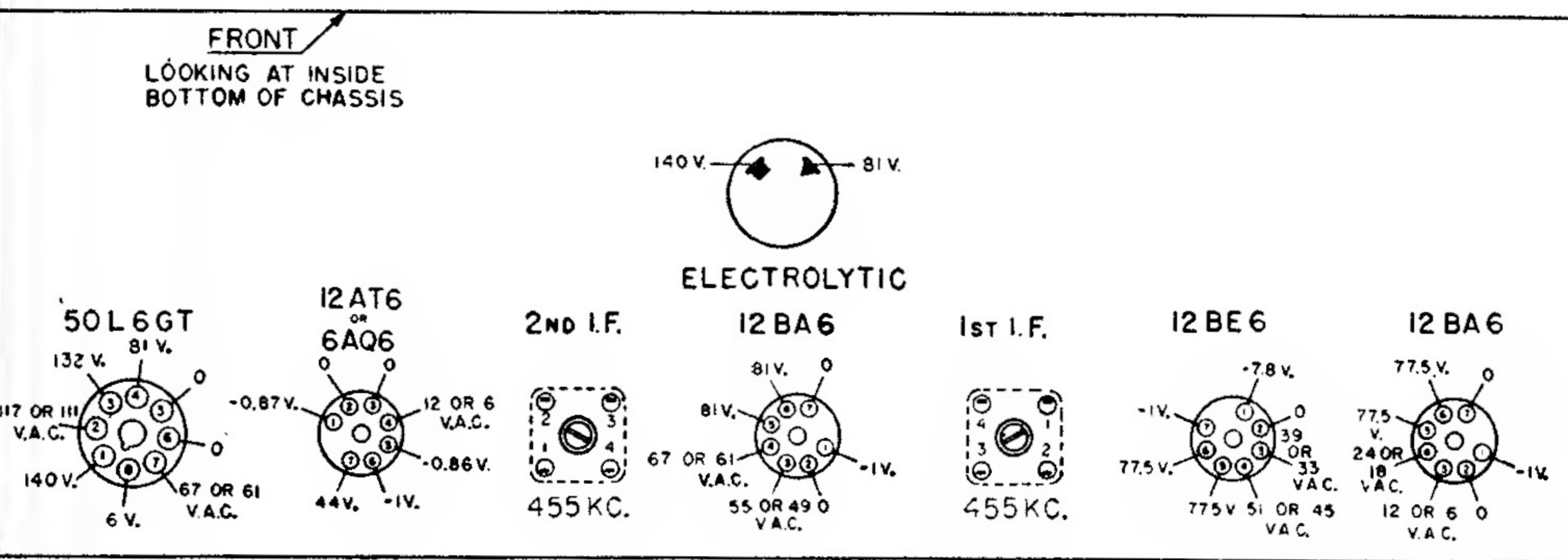
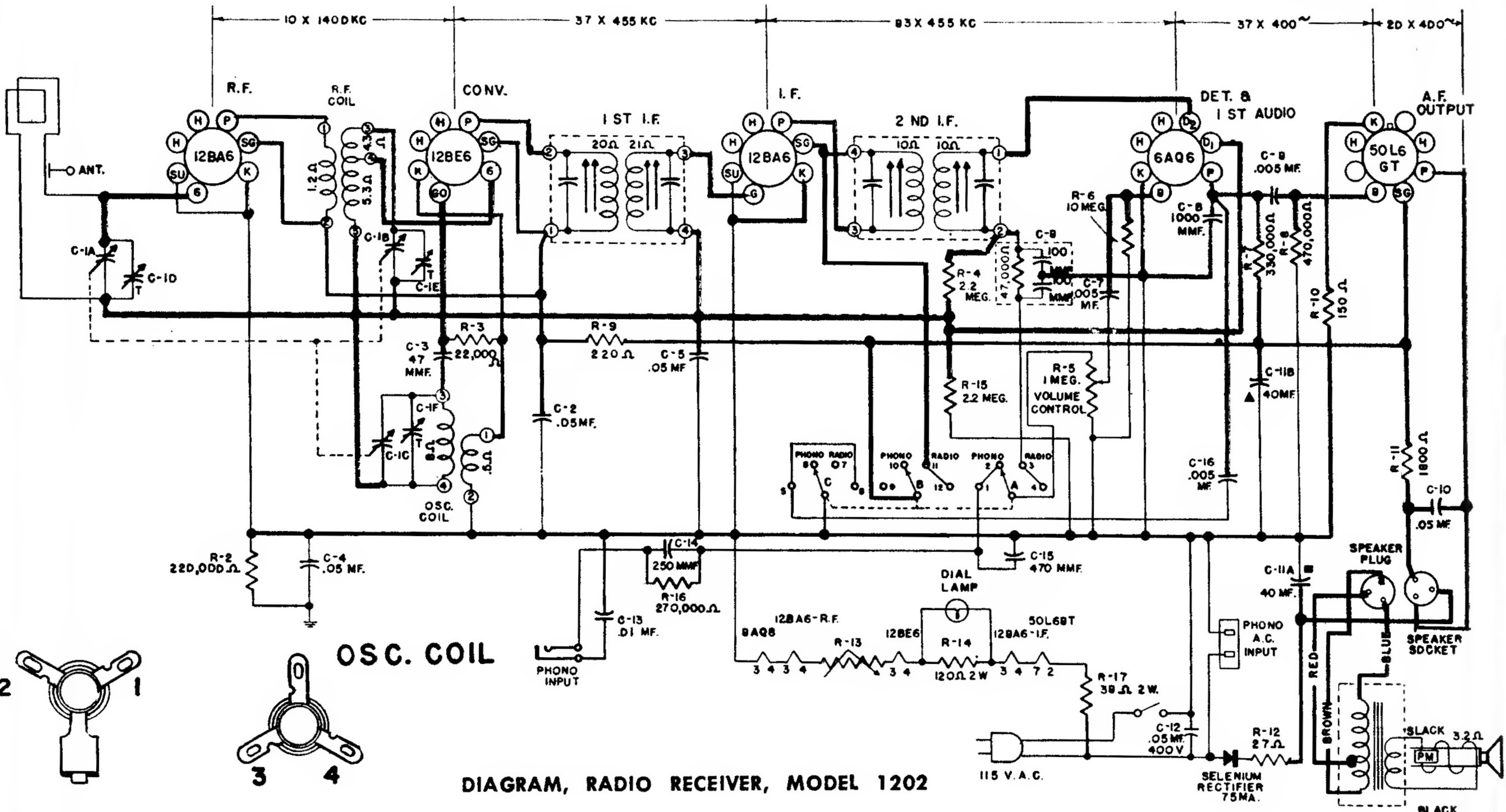
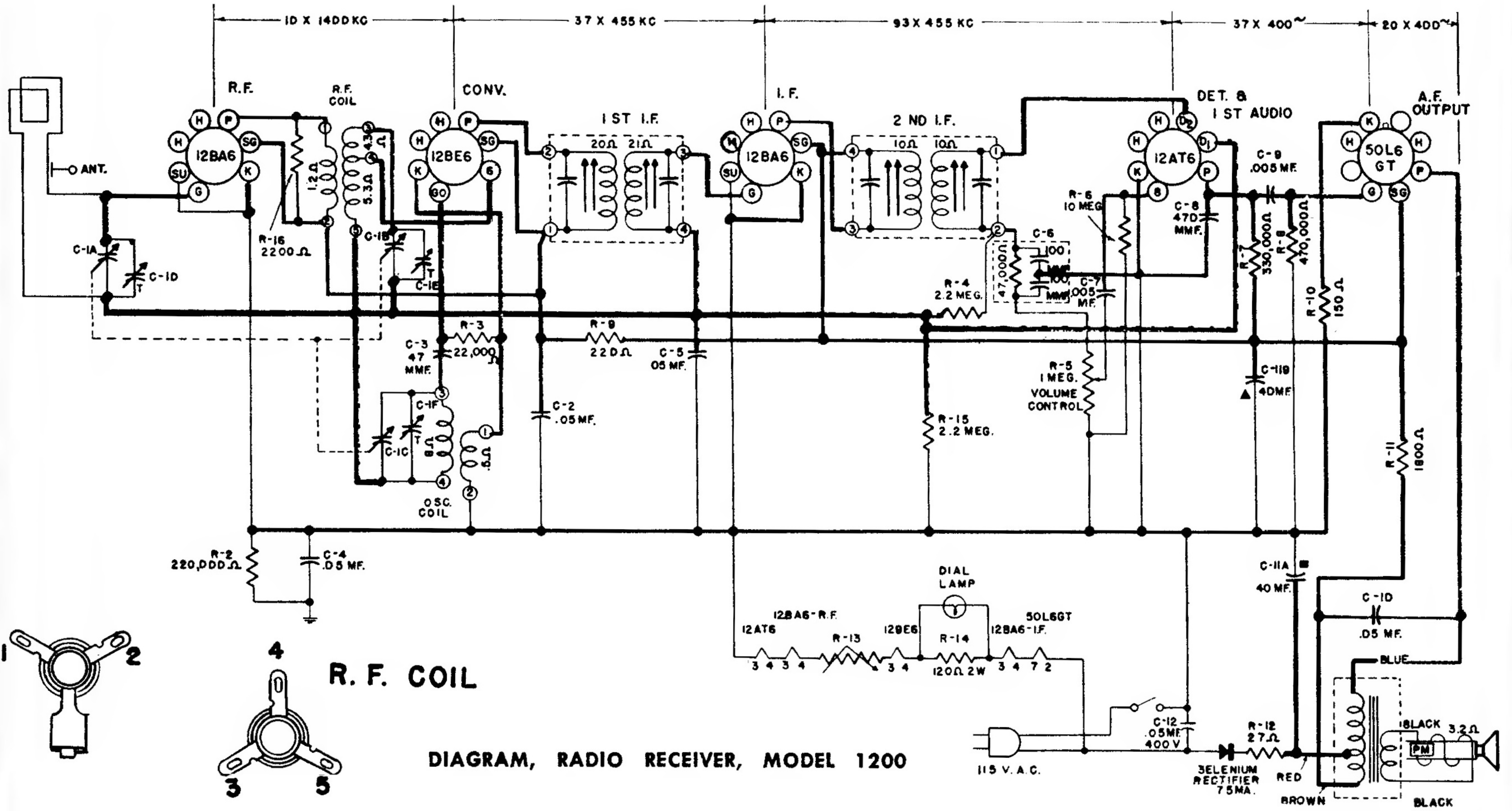


STROMBERG - CARLSON



*Where two tube types or voltage values are shown, the first is for the 1200 chassis, the second is for the 1202 chassis