

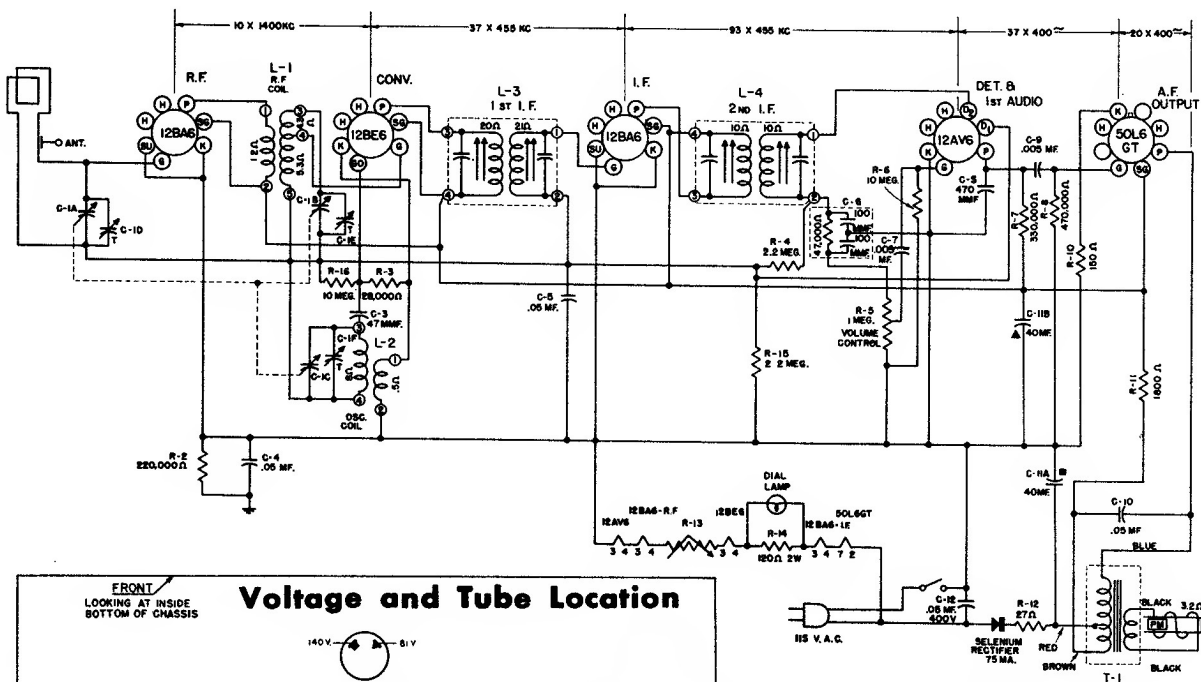
STROMBERG-CARLSON SERVICE NOTES

RADIO RECEIVER — MODEL 1500

ALIGNMENT PROCEDURE

CAUTION: As this is a transformless Receiver, observe all usual precautions. The Black-White (B-) lead is common to one side of the 117 Volt Power Line Cord.

Pointer Setting	Generator Setting	Input and Dummy	VTVM and Scope Connection and Scale	Adj. and Notes
I. F. ADJUSTMENT				
(1) Low frequency end of dial	455 kc. 400 cy. mod.	Pin #7, 12BE6 tube 0.01 mfd. dummy	-3V DC Scale Green-White (AVC) lead and Black-White (B-) lead.	Adj. top and bottom cores of each I. F. transformer with non-metallic screwdriver for maximum voltage.
(2) " "	455 kc. Swept 15 kc.	" "	Scope to Junction C-6 and Volume Control	Adj. same cores as above for best over-lapping curve on scope.
R. F. ADJUSTMENT				
(1) 1650 kc. Condenser plates all way out	1650 kc. 400 cy. mod.	Ant. terminal 0.01 mfd. dummy	" "	Adj. Osc. (front) trimmer on variable condenser for maximum voltage.
(2) 1400 kc.	1400 kc. 400 cy. mod.	" "	" "	Adj. R. F. and Loop trimmers on variable condenser for maximum voltage.



TUBE COMPLEMENT

- 2 12BA6 Miniature RF and IF Amplifier
- 1 12BE6 Miniature Converter
- 1 12AV6 Miniature Detector, AVC and Audio Driver
- 1 50L6GT Power Output

Measurements are made at 117V line, using electronic Voltmeter. Except where otherwise indicated, volages are D.C. and are positive with respect to the reference point which is the common Black-White lead.