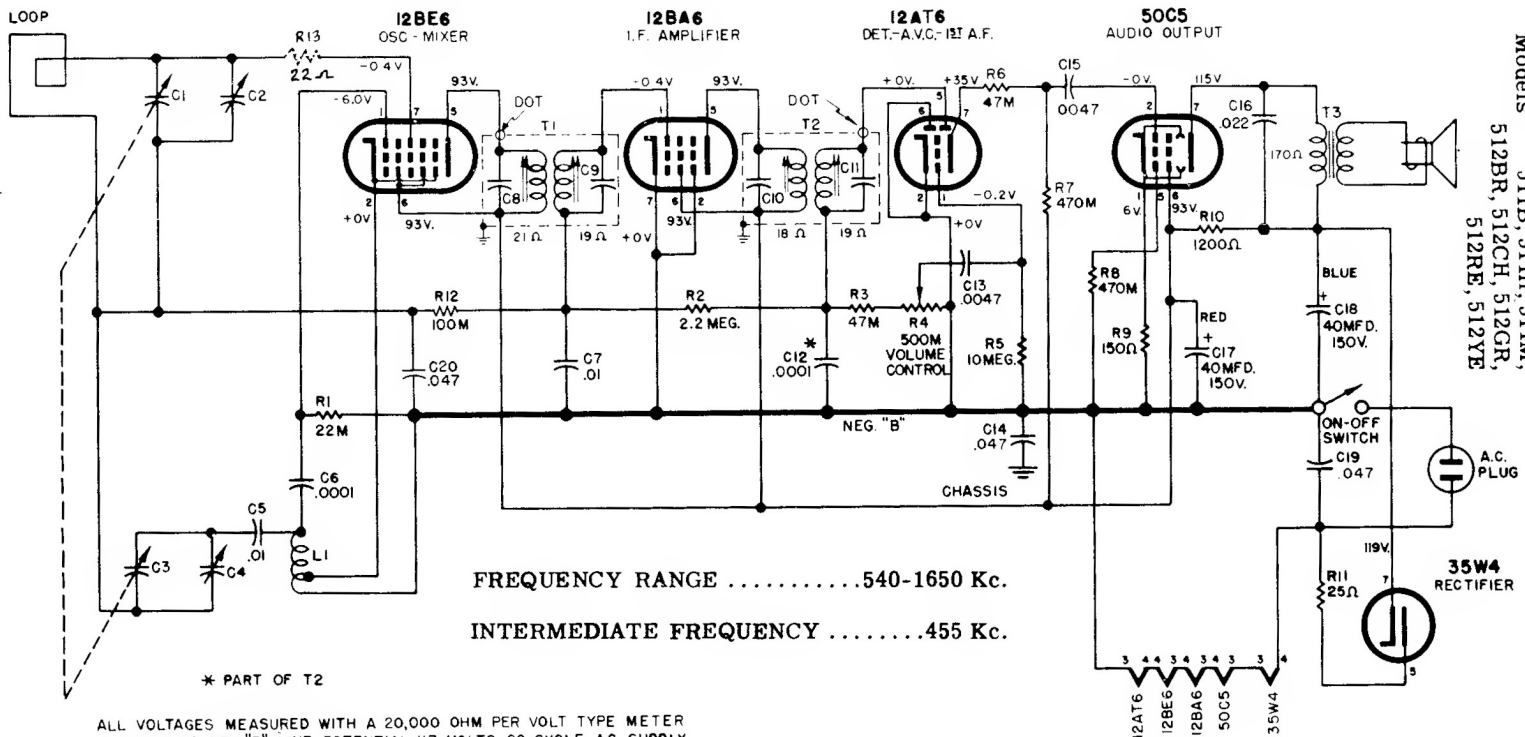


SYLVANIA

Chassis 1-601-1
 Models 511B, 511H, 511M,
 512BR, 512CH, 512GR,
 512RE, 512YE

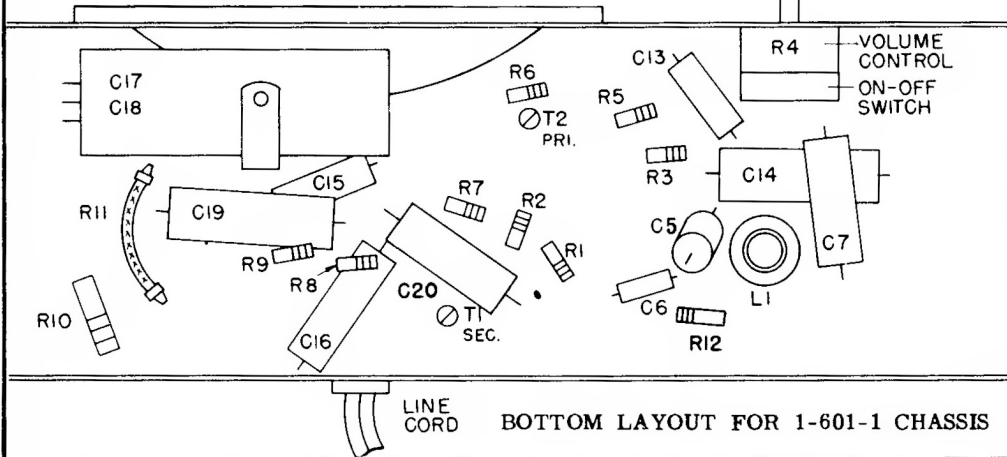


FREQUENCY RANGE 540-1650 Kc.
 INTERMEDIATE FREQUENCY 455 Kc.

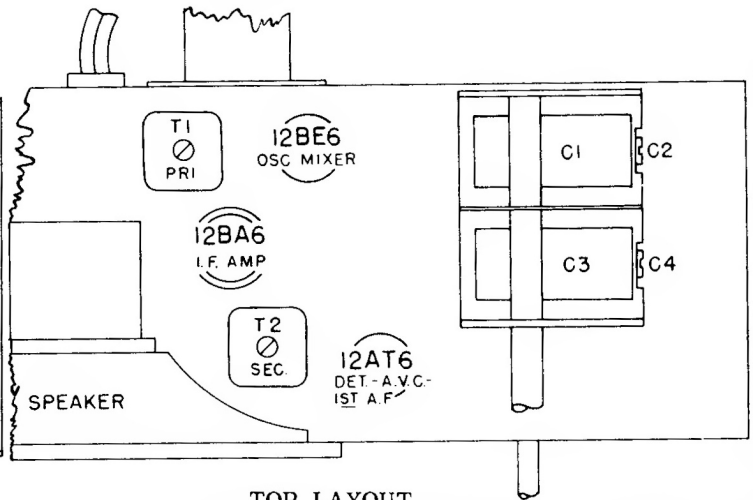
* PART OF T2

ALL VOLTAGES MEASURED WITH A 20,000 OHM PER VOLT TYPE METER AND ARE TO NEG. "B" LINE POTENTIAL 117 VOLTS 60 CYCLE AC SUPPLY. MEASUREMENTS TAKEN WITH NO SIGNAL INPUT INTERMEDIATE FREQUENCY 455 KC

COIL RESISTANCES ARE APPROXIMATE



BOTTOM LAYOUT FOR 1-601-1 CHASSIS



TOP LAYOUT