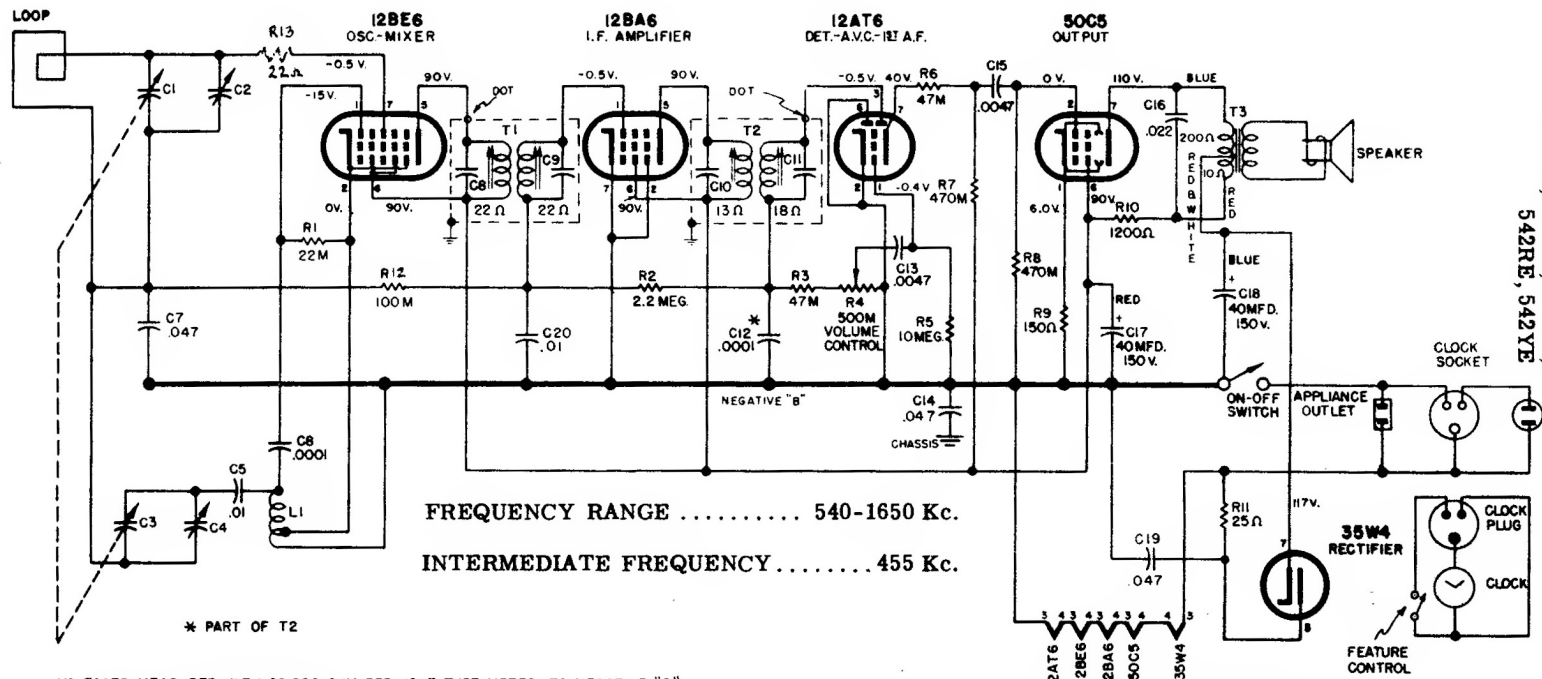


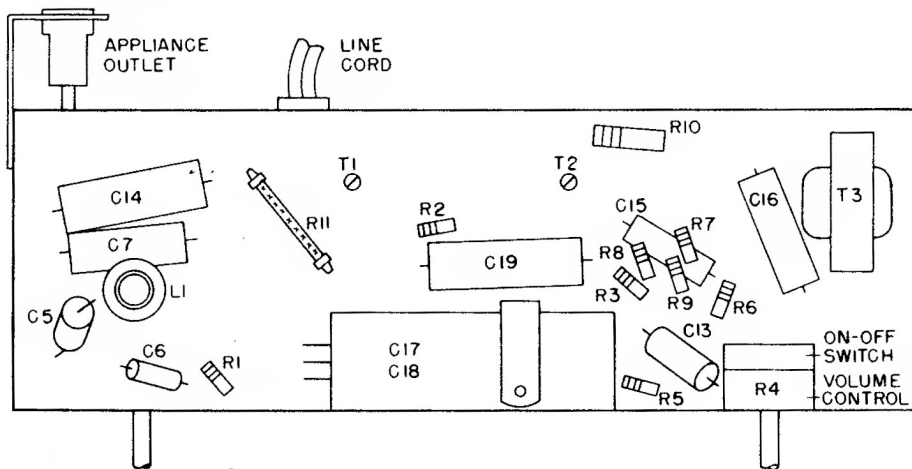
SYLVANIA

Chassis 1-602-1
 Models 541B, 541H, 541M,
 542BR, 542CH, 542GR,
 542RE, 542YE

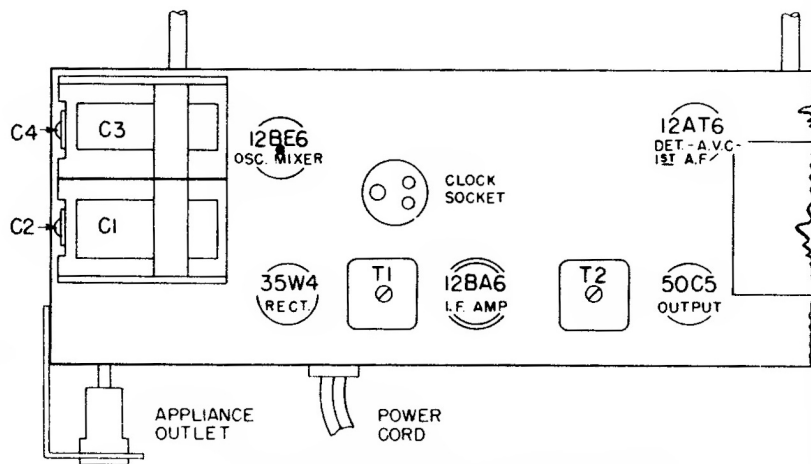


VOLTAGES MEASURED WITH 20,000 OHM PER VOLT TYPE METER, TO NEGATIVE "B".
 LINE POTENTIAL 117 VOLTS 60 CYCLE, NO SIGNAL INPUT.
 COIL RESISTANCES ARE AVERAGE VALUES.
 INTERMEDIATE FREQUENCY 455KC.

EARLIER SETS OMIT C20, AND HAVE C19
 CONNECT TO OTHER SIDE OF R11.



BOTTOM LAYOUT FOR 1-602-1 CHASSIS



TOP LAYOUT FOR 1-602-1 CHASSIS