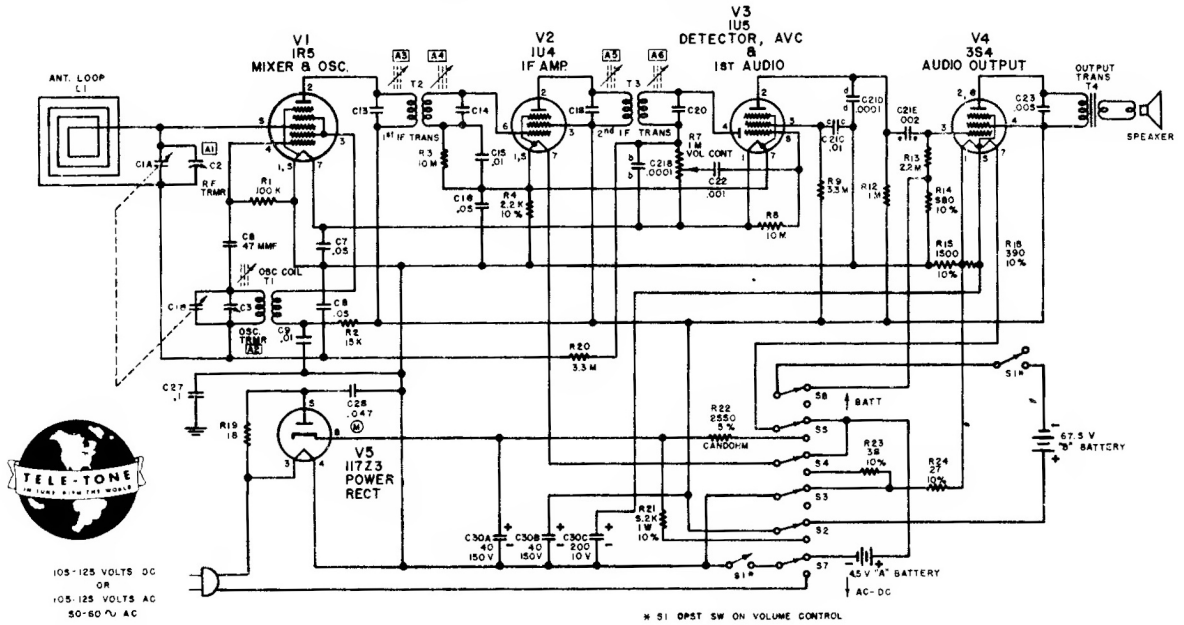


TELE-TONE RADIO CORPORATION

Chassis BL, used in Model 228

Except for mechanical differences, Chassis AH and AZ, used in Models 185, 190, 200, and 214, are similar to the chassis described on this page.



105-125 VOLTS DC
OR
105-125 VOLTS AC
50-60 ~ AC

* S1 DPST SW ON VOLUME CONTROL

SCHEMATIC LOCATION	PART NO.	DESCRIPTION
RESISTORS		
R 1	RC 104-1	100,000 Ohms 1/2 Watt 20%
R 2	RC 153-1	15,000 Ohms 1/2 Watt 20%
R 3	RC 106-1	10 Megohms 1/2 Watt 20%
R 4	RC 222-2	2,200 Ohms 1/2 Watt 10%
R 7	VC 20	1 Megohm - Volume Control with DPST Switch
R 8	RC 106-1	10 Megohms 1/2 Watt 20%
R 9	RC 335-1	3.3 Megohms 1/2 Watt 20%
R 12	RC 105-1	1 Megohm 1/2 Watt 20%
R 13	RC 225-1	2.2 Megohms 1/2 Watt 10%
R 14	RC 681-2	680 Ohms 1/2 Watt 10%
R 15	RC 152-2	1,500 Ohms 1/2 Watt 10%
R 16	RC 391-2	390 Ohms 1/2 Watt 10%
R 19	RC 180-1	18 Ohms 1/2 Watt 10%
R 20	RC 335-1	3.3 Megohms 1/2 Watt 20%
R 21	RC 622-5	6,200 Ohms 1 Watt 10%
R 22	RP 5	2,550 Ohms 5% Candohm Resistor
R 23	RC 390-2	39 Ohms 1/2 Watt 10%
R 24	RC 270-2	27 Ohms 1/2 Watt 10%
CONDENSERS		
C 1A, 1B	CV 15	Variable Condenser
C 2		RF Trimmer (Part of C 1A)
C 3		Oscillator Trimmer (Part of C 1B)
C 6	CM 470-1	47 Mmfd Mica
C 7	CP 503-2	.05 Mfd 150 Volts Paper
C 8	CP 503-2	.05 Mfd 150 Volts Paper
C 9	CP 103-2	.01 Mfd 150 Volts Paper
C 13, 14		(Part of T 2)
C 15	CP 103-2	.01 Mfd 150 Volts Paper
C 16	CP 503-2	.05 Mfd 150 Volts Paper
C 19, 20		(Part of T 3)
C 21B		.0001 Mfd
C 21C		.01 Mfd
C 21D	CC 5-2	.0001 Mfd } Ceramic Condenser Block
C 21E		.002 Mfd }
C 22	CP 102-3	.001 Mfd 200 Volts Paper
C 23	CP 502-2	.005 Mfd 400 Volts Paper
C 27	CP 104-1	.1 Mfd 200 Volts Paper
C 28	CPM 503-1	.047 Mfd 400 Volts Molded Paper
C 30A		40 Mfd 150 Volts } Electrolytic Condenser
C 30B	CE 17	40 Mfd 150 Volts }
C 30C		200 Mfd 10 Volts }

NOTE:
ON SOME SETS, SECTIONS OF OR THE ENTIRE CERAMIC BLOCK MAY BE REPLACED BY INDIVIDUAL CONDENSERS

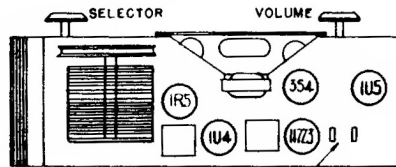
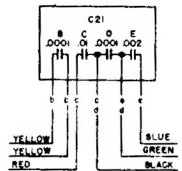
UNLESS OTHERWISE NOTED, RESISTORS ARE CARBON 1/2 WATT, 20%; ALL CAPACITANCE VALUES LESS THAN 1 ARE 'IN U', ABOVE IN U.T.

Ⓜ - MOLDED PAPER

* - 1,000

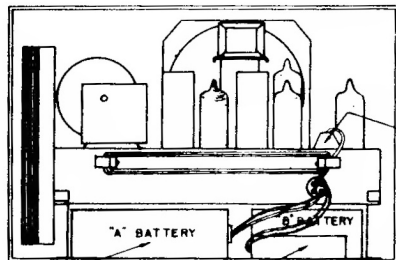
M - 1,000,000

Ⓜ - ALIGNMENT ADJUSTMENTS



ALIGNMENT DATA
FREQ. RANGE 532.5 TO 1620 KC
ALIGN. RF TRIMMER C2 AT 1400 KC
ALIGN. OSC. TRIMMER C3 AT 1820 KC
IF - 455 KC
TRACK AT 600 KC

INSERT LINE CORD PLUG HERE FOR BATTERY OPERATION



Line cord plug shown in position for battery operation, with line cord wrapped around line cord retainers.

For A.C.-D.C. operation remove plug from chassis, unwrap cord and bring out of notch in side of cover.

Insert two-prong plug into "A" BATTERY. Make sure large pin engages large contact in battery. Excessive force is not required to push plug into battery.

Place "B" BATTERY so that contacts are toward bottom. Snap fasteners onto battery.