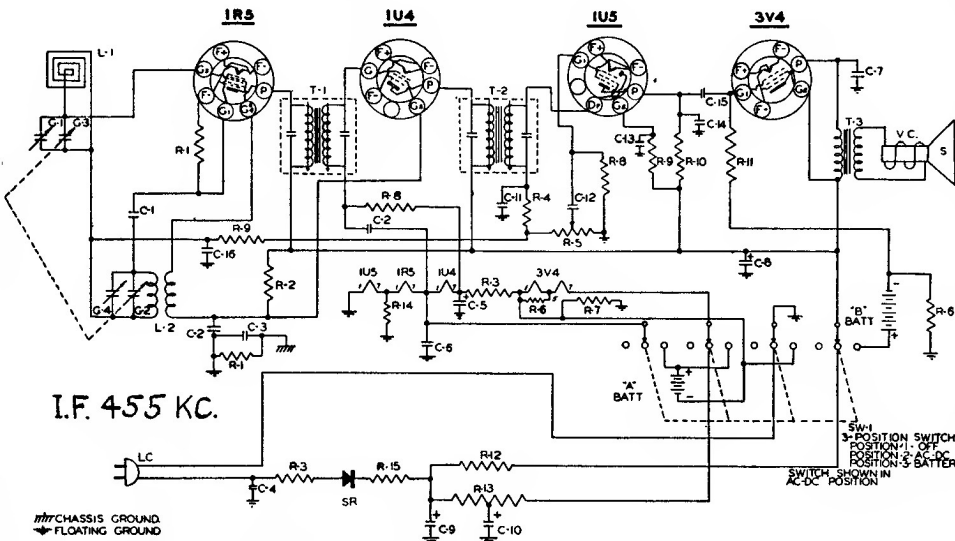
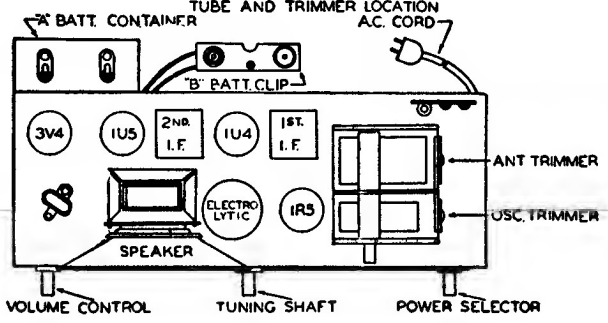
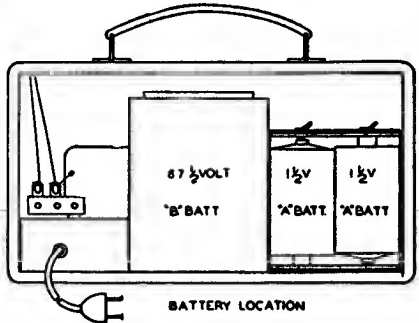


TRAV-LER RADIO CORP.

MODEL 5022

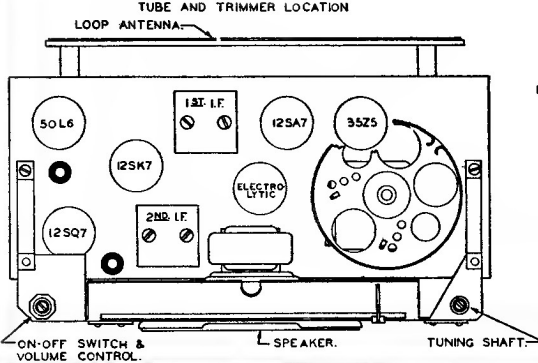
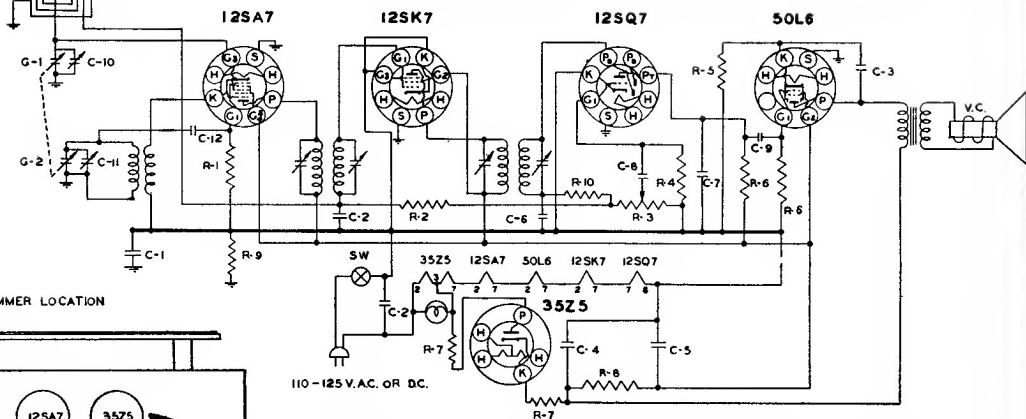


PART NO.	DESCRIPTION
R-20	220M Ω RESISTOR 1/2W 20%
1R-27	504 Ω RESISTOR 1/2W 20%
1R-31	33 Ω RESISTOR 1/2W 20%
1R-31	82M Ω RESISTOR 1/2W 10%
1R-31	1MEG. VOLUME CONTROL
1R-33	100K Ω RESISTOR 1/2W 10%
1R-33	620 Ω RESISTOR 1/2W 5%
1R-33	100K Ω RESISTOR 1/2W 20%
1R-33	33MEG. RESISTOR 1/2W 20%
1R-35	2.2MEG. RESISTOR 1/2W 20%
1R-35	3300 Ω RESISTOR 1/2W 10%
1R-35	1100 Ω RESISTOR 1/2W 20%
1R-35	470 Ω RESISTOR 1/2W 20%
1R-41	47 Ω RESISTOR 1W 10%
MC-9	100MMFD. MICA CONDENSER
PC-1	10MFD. CONDENSER 400V.W.
PC-8	1MFD. CONDENSER 400V.W.
PC-5	0.5MFD. CONDENSER 400V.W.
EC-6	70MFD. 10WV. ELECTROLYTIC
PC-3	1MFD. CONDENSER 200V.W.
PC-8	0.05MFD. CONDENSER 800V.W.
EC-14	40MFD. 15C.V. ELECTROLYTIC
CC-9	20MFD.
CC-10	150MMFD.
MC-7	100MFD.
CC-11	100MFD.
CC-12	100MFD.
PC-2	100MFD. CONDENSER 200V.W.
CC-1	ANT. TRIMMER
GC-6	GANG CONDENSER
LL-23	LOOP ANTENNA
LC-9	OSC. COIL
SR-2	SELENIUM RECTIFIER
CO-1	LINE COIL
SW-1	4 P.O.L.E. 3 POSITION SWITCH
SW-2	2 "D" SIZE FLASHLITE CELLS, 1 1/2 VOLTS
B BATT	117.6 VOLT BATTERY
U-5	INPUT IF TRANSFORMER
U-3	OUTPUT IF TRANSFORMER
U-1	SPEAKER OUTPUT TRANSFORMER
SPK-16	3 1/2" M. SPEAKER
C-4	OSC. TRIMMER
TU-39	1R5-1U4-1U5-3V4



TRAV-LER MODELS-5060-5061

I.F. 455 KC.



PART NO.	DESCRIPTION	PART NO.	DESCRIPTION
1R-9	R-1 22000 Ω RESISTOR 1/2W 20%	EC-12	C-4 40MFD. 150V. ELECTROLYTIC
1R-23	R-2 3.3MEG. RESISTOR 1/2W 20%	C-5	20MFD.
VC-3	R-3 1MEG. VOLUME CONTROL	C-6	220MMFD.
1R-13	R-4 2.2MEG. RESISTOR 1/2W 20%	C-7	220MMFD.
1R-14	R-5 150 Ω RESISTOR 1/2W 20%	C-8	0.02MFD.
1R-11	R-6 470 M Ω RESISTOR 1/2W 20%	C-9	0.05MFD.
1R-17	R-7 33 Ω RESISTOR 1/2W 20%	C-10	ANT. TRIMMER.
1R-25	R-8 2200 Ω RESISTOR 1/2W 20%	C-11	OSC. TRIMMER
1R-20	R-9 220M Ω RESISTOR 1/2W 20%	C-12	50MMFD. MICA CONDENSER
1R-10	R-10 47000 Ω RESISTOR 1/2W 20%	GC-6 A	GANG CONDENSER
PC-8	C-1 .1MFD. CONDENSER 400V.		
PC-5	C-2 .05MFD. CONDENSER 400V.		
PC-7	C-3 .01MFD. CONDENSER 400V.		