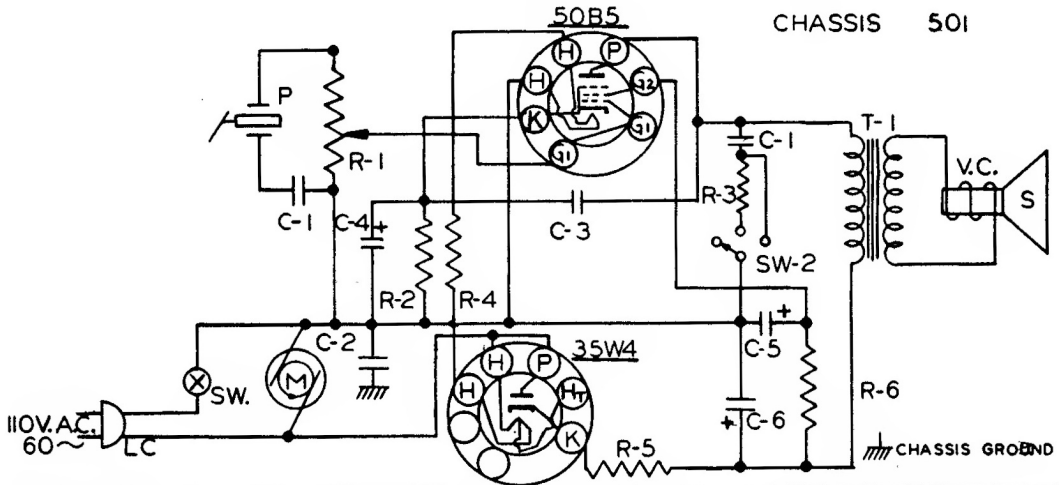


Trav-ler Radio Corp. Electric Phonograph Model 7004

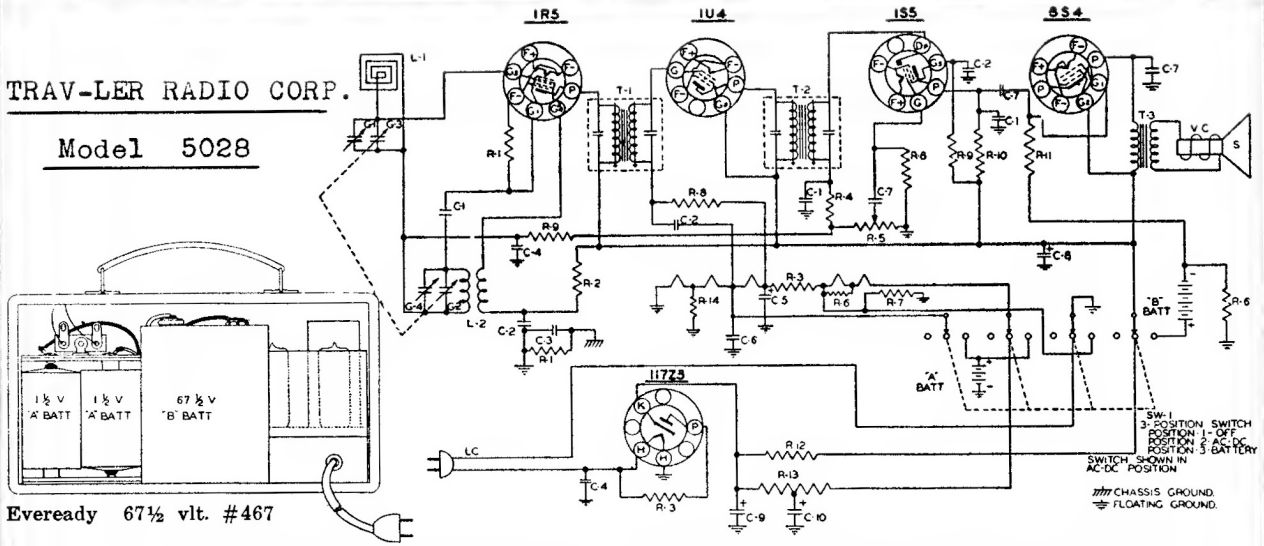


PART NO.	DESCRIPTION	PART NO.	DESCRIPTION
VC-6	R-1 1/2MEG. VOLUME CONTROL.	M-1	MOTOR 110V. 60~
IR-14	R-2 150~ RESISTOR. 1/2W. 20%	CO-2	LC POWER CORD.
IR-7	R-3 2200~ RESISTOR. 1/2W. 5%	SW-2	A.C. SW. ON VOLUME CONTR
WR-1	R-4 210~ RESISTOR. 5W. 5% WIREW.	SW-2	tone SWITCH
IR-17	R-5 39~ RESISTOR. 1/2W. 20%	T-1	OUTPUT TRANSFORMER
IR-18	R-6 4700~ RESISTOR. 1/2W. 20%	VC	VOICE COIL
PC-5	C-1 .05 MFD. CONDENSER. 400V.	S	PM SPEAKER
PC-8	C-2 .1 MFD. CONDENSER. 400V.	TU-22	50B5 - 35W4
PC-9	C-3 .01 MFD. CONDENSER. 400V.	PU-2	CRYSTAL CARTRIDGE
EC-5	C-4 10MFD. 25V. ELECTROLYTIC		L-72
	C-5 12MFD. 150V.		
	C-6 8DMFD. 150V		

Trav-ler Radio Corp. Phonograph Models 7014 and 7015 are similar to Model 7000 described on page 154 of Volume 6, 1946 Diagram Manual.

TRAV-LER RADIO CORP.

Model 5028



Eveready 67½ vlt. #467

Burgess 67½ vlt. #XX45

General 67½ vlt. #W45A

Ray-O-Vac 67½ vlt. #4367

PART NO.	DESCRIPTION	PART NO.	DESCRIPTION	PART NO.	DESCRIPTION
IR-20	R-1 220M~ RESISTOR 1/2W 20%	PC-3	C-6 1 MFD. CONDENSER 200 WV	LI-5	T-1 INPUT IF TRANSFORMER
IR-31	R-2 150~ RESISTOR 1/2W 20%	PC-6	C-7 .005MFD CONDENSER 600 WV	T-2	OUTPUT IF TRANSFORMER
IR-33	R-3 2200~ RESISTOR 1/2W 5%	C-8	C-8 40 MFD 150 WV ELECTROLYTIC	T-3	SPEAKER OUTPUT TRANSFORMER
VC-11	R-4 210~ RESISTOR 5W 5% WIREW.	EC-14	C-9 40 MFD 150 WV ELECTROLYTIC	VC-3	VOICE COIL
IR-33	R-5 39~ RESISTOR 1/2W 20%	C-10	C-10 20MFD	S	3 1/2 PM SPEAKER
IR-39	R-6 4700~ RESISTOR 1/2W 20%	G-1	G-1 ANT TRIMMER	TU-31	117Z5-1U4-1S5-354
IR-39	R-7 39~ RESISTOR 1/2W 20%	G-2	G-2 GANG CONDENSER		
IR-39	R-8 150~ RESISTOR 1/2W 20%	G-3	G-3 JSC TRIMMER	X BATT	2" D SIZE 1 1/2 VOLT FLASHLITE CELLS
IR-39	R-9 150~ RESISTOR 1/2W 20%			B BATT	1-67 1/2 VOLT BATTERY
IR-39	R-10 150~ RESISTOR 1/2W 20%				
IR-39	R-11 150~ RESISTOR 1/2W 20%				
IR-39	R-12 150~ RESISTOR 1/2W 20%				
IR-39	R-13 150~ RESISTOR 1/2W 20%				
IR-39	R-14 150~ RESISTOR 1/2W 20%				
IR-39	R-15 150~ RESISTOR 1/2W 20%				
WR-7	R-16 470~ RESISTOR 1/2W 5% WIREW.				
PC-2	C-1 .001MFD MICA CONDENSER	LL-14	L-1 LOOP ANTENNA		
PC-7	C-2 .01MFD CONDENSER 400 WV	LO B	L-2 OSC COIL		
PC-8	C-3 .05MFD CONDENSER 400 WV	CO-1	LC LINE CORD		
PC-9	C-4 .1MFD CONDENSER 400 WV	SW-8	SW-1 4 POLE-3 POSITION SWITCH		
EC-6	C-5 10MFD. 25V. ELECTROLYTIC				

I.F. 455 KC.