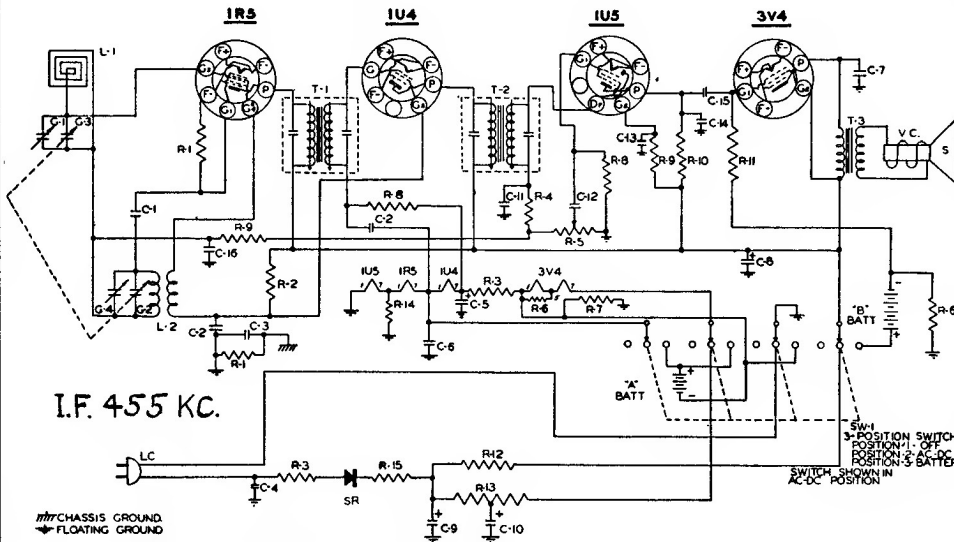


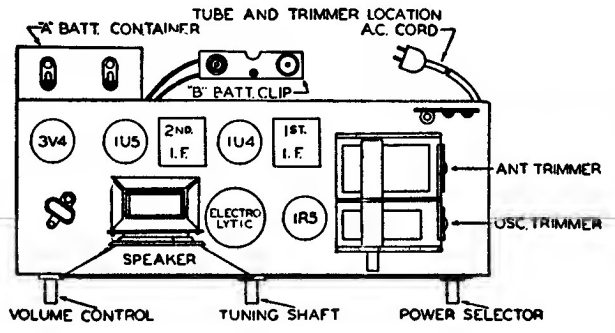
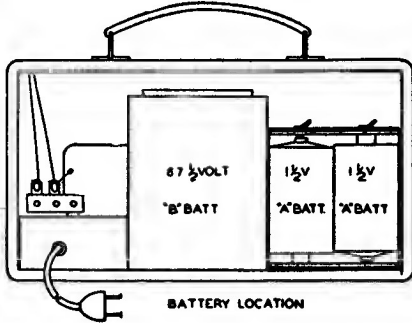
TRAV-LER RADIO CORP.

MODEL 5022



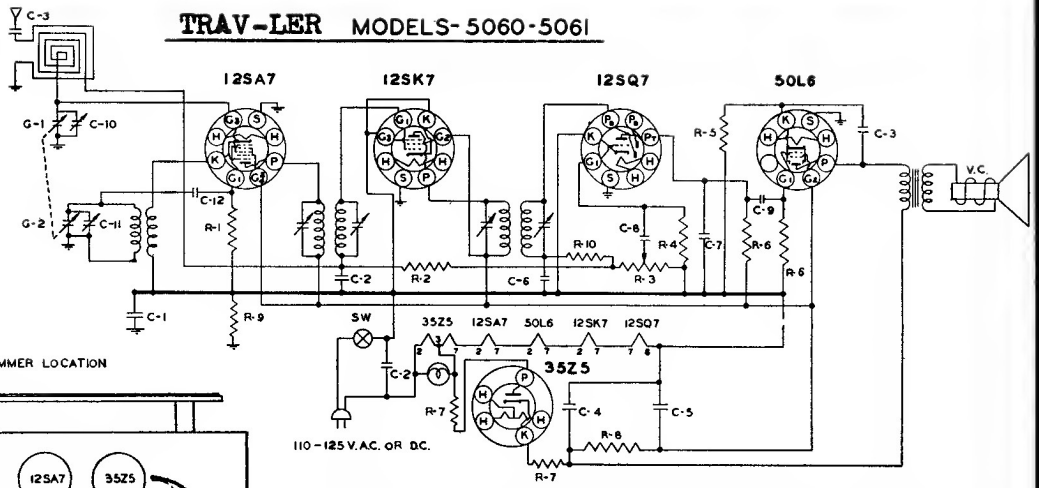
PART NO.	DESCRIPTION
1R-20	220M Ω RESISTOR 1/2W 20%
1R-17	10M Ω RESISTOR 1/2W 20%
1R-31	100K Ω RESISTOR 1/2W 20%
1R-31	25M Ω RESISTOR 1/2W 20%
1R-33	270 Ω RESISTOR 1/2W 10%
1R-39	620 Ω RESISTOR 1/2W 5%
1R-3	1M Ω RESISTOR 1/2W 20%
1R-13	3.3MEG. RESISTOR 1/2W 20%
1R-13	2.2MEG. RESISTOR 1/2W 20%
1R-13	150 Ω RESISTOR 1/2W 10%
1R-13	1800 Ω 500 CATHODIUM RESISTOR 5W 5%
1R-1	470 Ω RESISTOR 1/2W 20%
1R-41	470 Ω RESISTOR 1/2W 10%
MC-2	100MMFD. MICA CONDENSER 400 W.V.
PC-7	20MFD. 150 V. ELECTROLYTIC
PC-8	1MFD. CONDENSER 400 W.V.
PC-3	105 MFD CONDENSER 400 W.V.
EC-4	70MFD 10WV ELECTROLYTIC
PC-3	1 MFD. CONDENSER 200 W.V.
PC-8	005MFD. CONDENSER 800 W.V.
EC-14	40 MFD. 15C W.V. ELECTROLYTIC
EC-10	100MFD.
EC-10	100MFD.
MC-7	002MFD.
MC-7	005MFD.
MC-7	100 MFD.
MC-7	05MFD. CONDENSER 200 W.V.
PC-2	ANT TRIMMER
CC-6	10MFD. CONDENSER
LL-23	LOOP ANTENNA
LO-8	OSC. COIL
SR-2	SELENIUM RECTIFIER
SW-1	2 D'SIZE FLASHLITE CELLS, 1 1/2 VOLTS
SW-8	4 POLE 3 POSITION SWITCH
B BATT	1-67 VOLT BATTERY
T-1	INPUT IF TRANSFORMER
T-2	OUTPUT IF TRANSFORMER
SPK-15	3 1/2" SPEAKER
S	OSC. TRIMMER
TU-39	1R5-1U4-1U5-3V4

CHASSIS GROUND
 → FLOATING GROUND

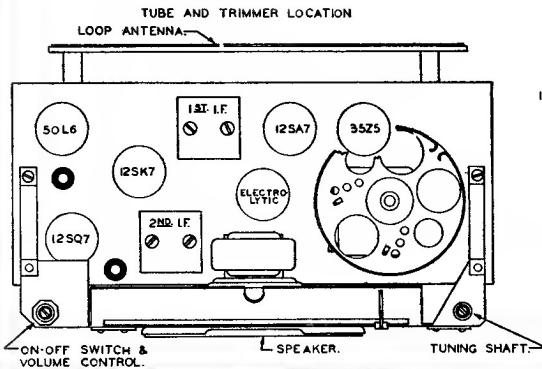


TRAV-LER MODELS-5060-5061

I.F. 455 KC.



CHASSIS GROUND ⊥



PART NO.	DESCRIPTION	PART NO.	DESCRIPTION
1R-9	R-1 22000 Ω RESISTOR 1/2W 20%	EC-12	C-4 40MFD. 150 V. ELECTROLYTIC
1R-23	R-2 3.3MEG. RESISTOR 1/2W 20%	C-5	20MFD.
R-3	R-3 1MEG. VOLUME CONTROL	C-6	220MMFD.
1R-13	R-4 2.2MEG. RESISTOR 1/2W 20%	MC-8	220MMFD.
1R-14	R-5 150 Ω RESISTOR 1/2W 20%	C-8	002 MFD
1R-11	R-6 470M Ω RESISTOR 1/2W 20%	C-9	005MFD.
1R-17	R-7 33 Ω RESISTOR 1/2W 20%	C-10	ANT TRIMMER.
1R-25	R-8 2200 Ω RESISTOR 1 W 10%	C-11	OSC. TRIMMER
1R-20	R-9 220M Ω RESISTOR 1/2W 20%	C-12	50MMFD. MICA CONDENSER
1R-10	R-10 47000 Ω RESISTOR 1/2W 20%	GC-1	C-1
PC-8	C-1 .1MFD. CONDENSER 400 V.	GC-6A	C-2
PC-5	C-2 .05MFD. CONDENSER 400 V.		
PC-7	C-3 .01 MFD. CONDENSER 400 V.		