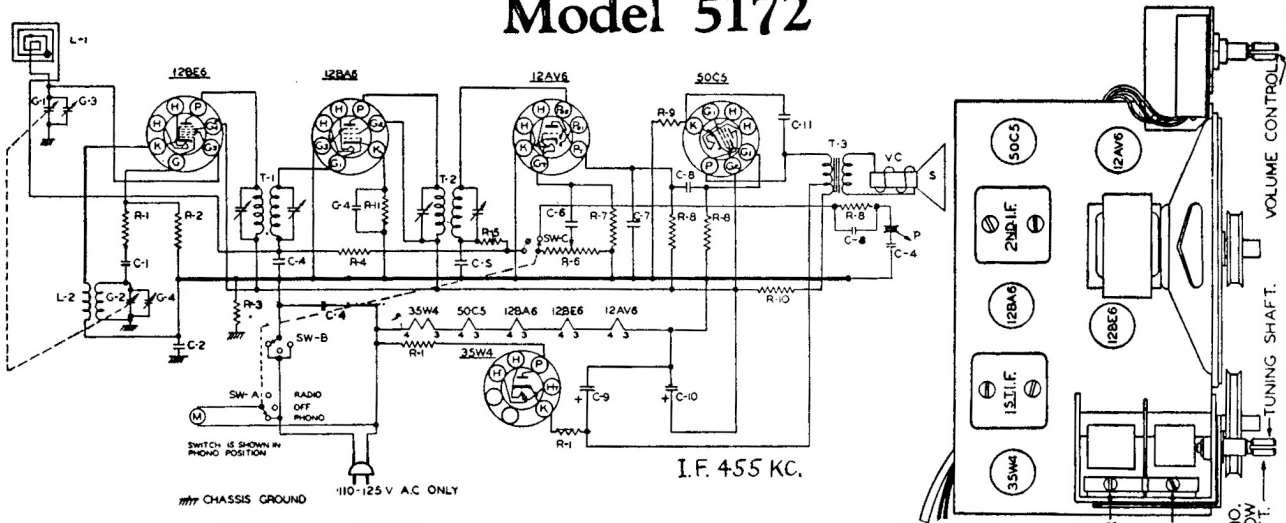


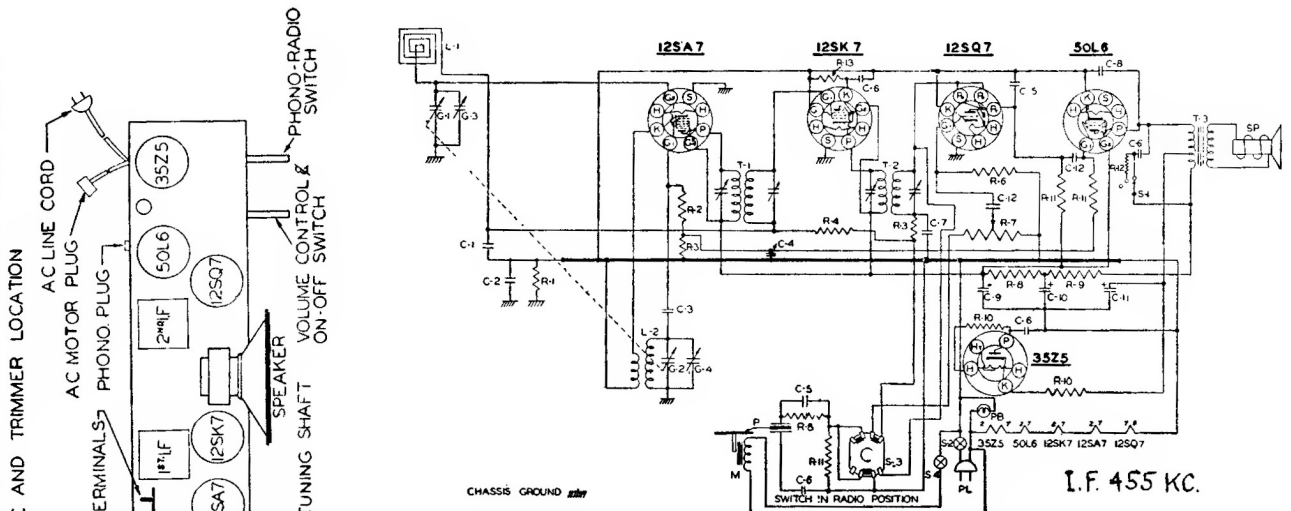
# TRAV-LER RADIO CORPORATION

## Model 5172



PART NO.	DESCRIPTION	PART NO.	DESCRIPTION	PART NO.	DESCRIPTION
IR-17	R-1 33 $\Omega$ RESISTOR 1/2W 20%	MC-4	C-1 50MMFD MICA CONDENSER	S	4" PM SPEAKER
IR-9	R-2 22M $\Omega$ RESISTOR 1/2W 20%	PC-2	C-2 1MFD CONDENSER 400 V.	V-C	VOICE COIL
IR-20	R-3 220M $\Omega$ RESISTOR 1/2W 20%	MC-7	C-3 470MMFD MICA CONDENSER	T-3	OUTPUT TRANSFORMER
IR-23	R-4 33MEG. RESISTOR 1/2W 20%	PC-5	C-4 .05MFD. CONDENSER 400 V.	L-17	LOOP ANT.
IR-10	R-5 47M $\Omega$ RESISTOR 1/2W 20%	C-5	C-5 220MMFD.	L-2	OSC. COIL
VC-37	R-6 1 MEG VOLUME CONTROL	MC-8	C-6 .002MFD.	M-9	M PHONO MOTOR
IR-13	R-7 2.2 MEG. RESISTOR 1/2W 20%	C-7	C-7 220MMFD.	SW-A	RADIO-OFF-PHONO SWITCH
IR-11	R-8 470M $\Omega$ RESISTOR 1/2W 20%	C-8	C-8 .003MFD.	SW-B	3 POS. SPOL. RADIO-OFF-PHONO SWITCH
IR-14	R-9 150 $\Omega$ RESISTOR 1/2W 20%	EC-24	C-9 50 MFD. ELECTROLYTIC 150 V.D.C.	SW-C	SWITCH TYPE "D-AG" CARTRIDGE
IR-42	R-10 1000 $\Omega$ RESISTOR 1W 10%	CC-3	C-11 .005MFD.	PU-12	PICKUP ARM, ASTATIC TYPE "D-AG" CARTRIDGE
LI-6	T-1 INPUT I.F. TRANSFORMER	GC-5B	C-1 TUNING CONDENSER		
LI-7	T-2 OUTPUT I.F. TRANSFORMER				

# Model 5210



PART NO.	DESCRIPTION	PART NO.	DESCRIPTION	PART NO.	DESCRIPTION
PC-2	C-1 .05MFD CONDENSER 200V	IR-1	R-6 470 $\Omega$ RESISTOR 1/2W 20%	SW-2	S-1 TONE SWITCH
PC-8	C-2 1MFD CONDENSER 400V	IR-42	R-9 1000 $\Omega$ RESISTOR 1W 10%	SW-1	S-2 SWITCH ON VOLUME CONTROL
MC-4	C-3 .0005MFD. MICA	IR-17	R-10 33 $\Omega$ RESISTOR 1/2W 20%	S-3	S-3 PHONO-RADIO SWITCH
PC-4	C-4 .25MFD. CONDENSER 200V	IR-11	R-11 470M $\Omega$ RESISTOR 1/2W 20%	S-4	S-4 SWITCH ON RECORD CHANGER
MC-5	C-5 .0005MFD. MICA	IR-15	R-12 2200 $\Omega$ RESISTOR 1/2W 20%	AC-M-7	M RECORD CHANGER MOTOR
PC-5	C-6 .05MFD. CONDENSER 400V	IR-21	R-13 330 $\Omega$ RESISTOR 1/2W 20%	AC-PU-7	P CRYSTAL PICKUP ARM CARTRIDGE S-1
MC-2	C-7 .000MFD. MICA	GC-5	C-8 GANG CONDENSER	PB-2	PB 110 V 7 1/2 W PILOT BULB
PC-7	C-8 .01MFD. CONDENSER 400V	G-3	G-3 ANT TRIMMER	PL	PL LINE CORD
EC-14	C-9 .40MFD. 150VW ELECTROLYTIC	G-4	G-4 OSC TRIMMER		
PC-11	C-10 .005MFD. CONDENSER 500 V.	LI-6	T-1 INPUT I.F. TRANSFORMER		
IR-20	R-1 320M $\Omega$ RESISTOR 1/2W 20%	LI-7	T-2 OUTPUT I.F. TRANSFORMER		
IR-9	R-2 22M $\Omega$ RESISTOR 1/2W 20%	T-3	T-3 OUTPUT TRANSFORMER		
IR-10	R-3 47M $\Omega$ RESISTOR 1/2W 20%	LL-17	L-1 LOOP ANT		
IR-23	R-4 33MEG. RESISTOR 1/2W 20%	LC-4	L-2 OSC. COIL		
IR-12	R-5 1MEG. RESISTOR 1/2W 20%	SP-12	S-1 5" PM SPEAKER		
IR-13	R-6 23MEG. RESISTOR 1/2W 20%				
VC-4	R-7 1MEG. VOLUME CONTROL				