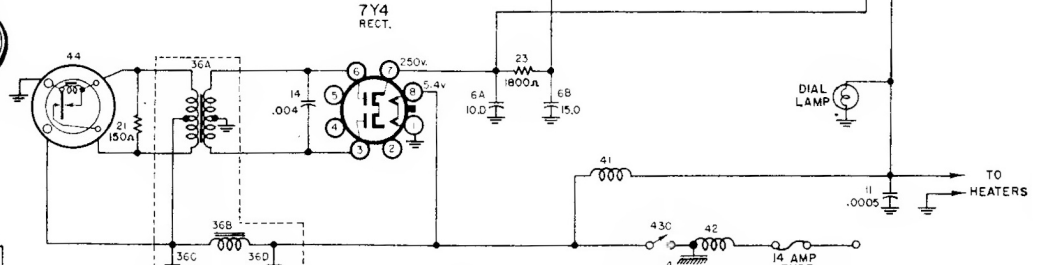
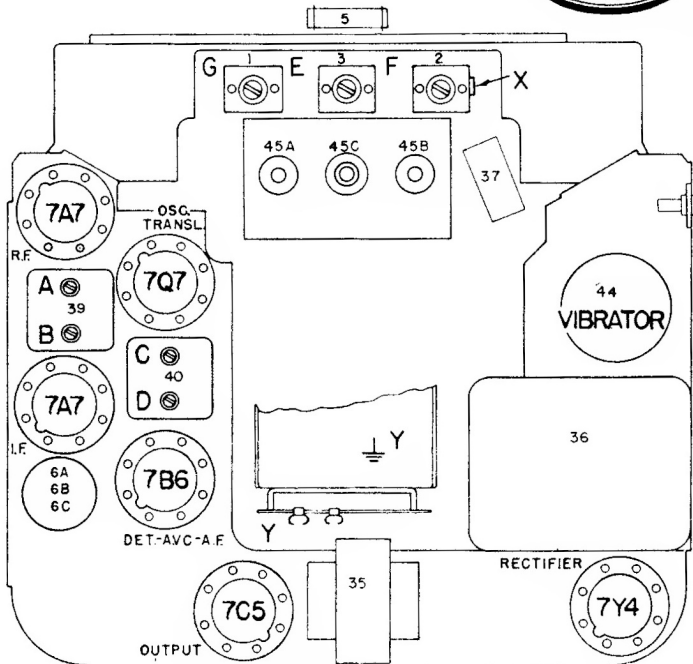
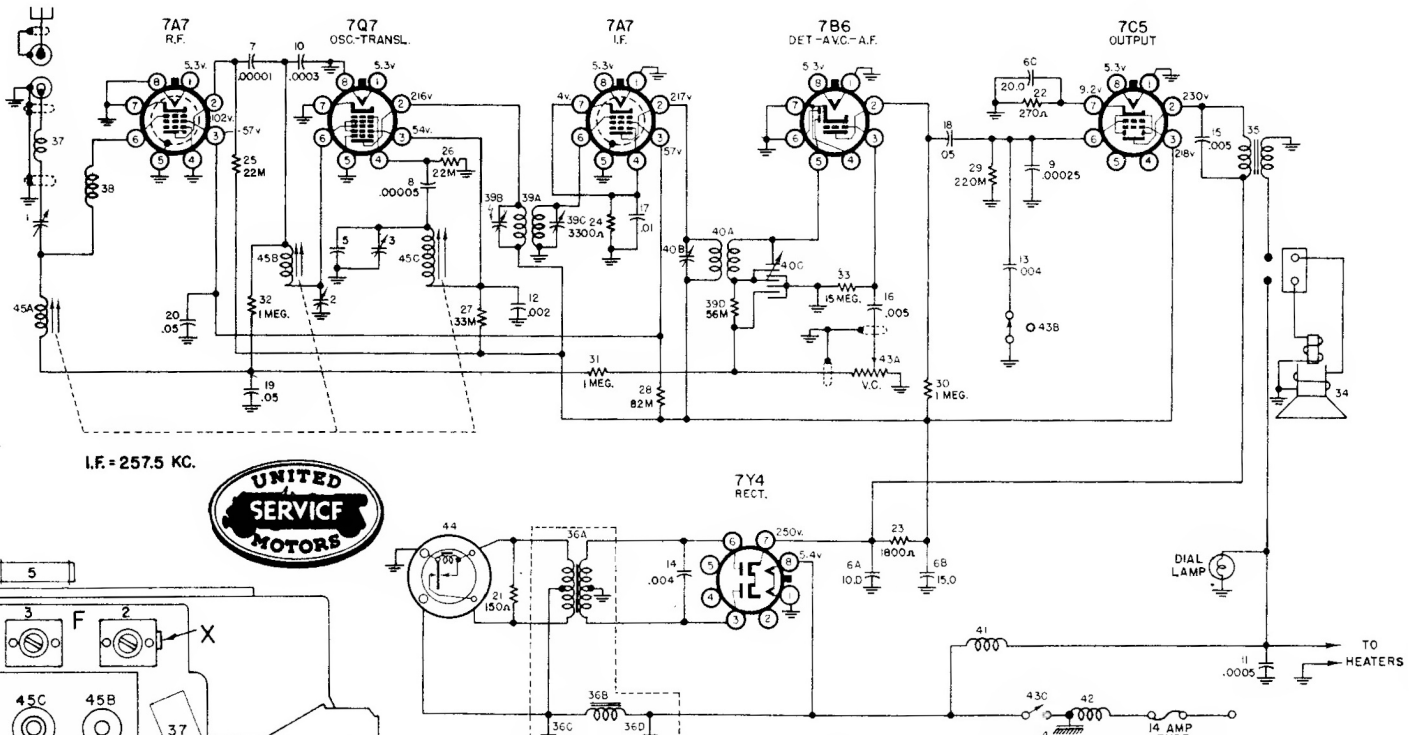
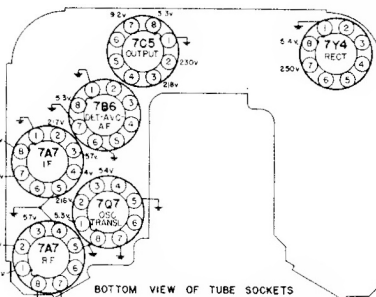


Pontiac 984247

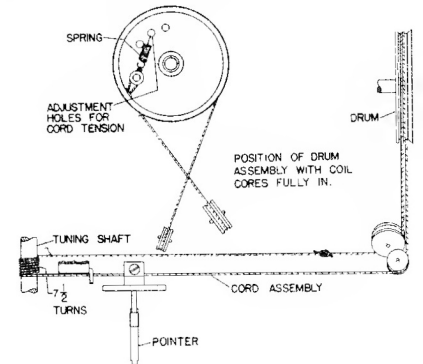
UNITED MOTORS SERVICE
DIVISION OF GENERAL MOTORS CORPORATION



READINGS TAKEN FROM TUBE SOCKET CONTACTS TO GROUND WITH A 1000 OHMS PER VOLT D.C. VOLTMETER. "A" BATTERY - 6.0 VOLTS
CURRENT DRAIN - 7.2 AMPERES. "B" SUPPLY DRAIN - APPROX. 48 MA.



SOCKET VOLTAGES



DIAL CORD HOOKUP