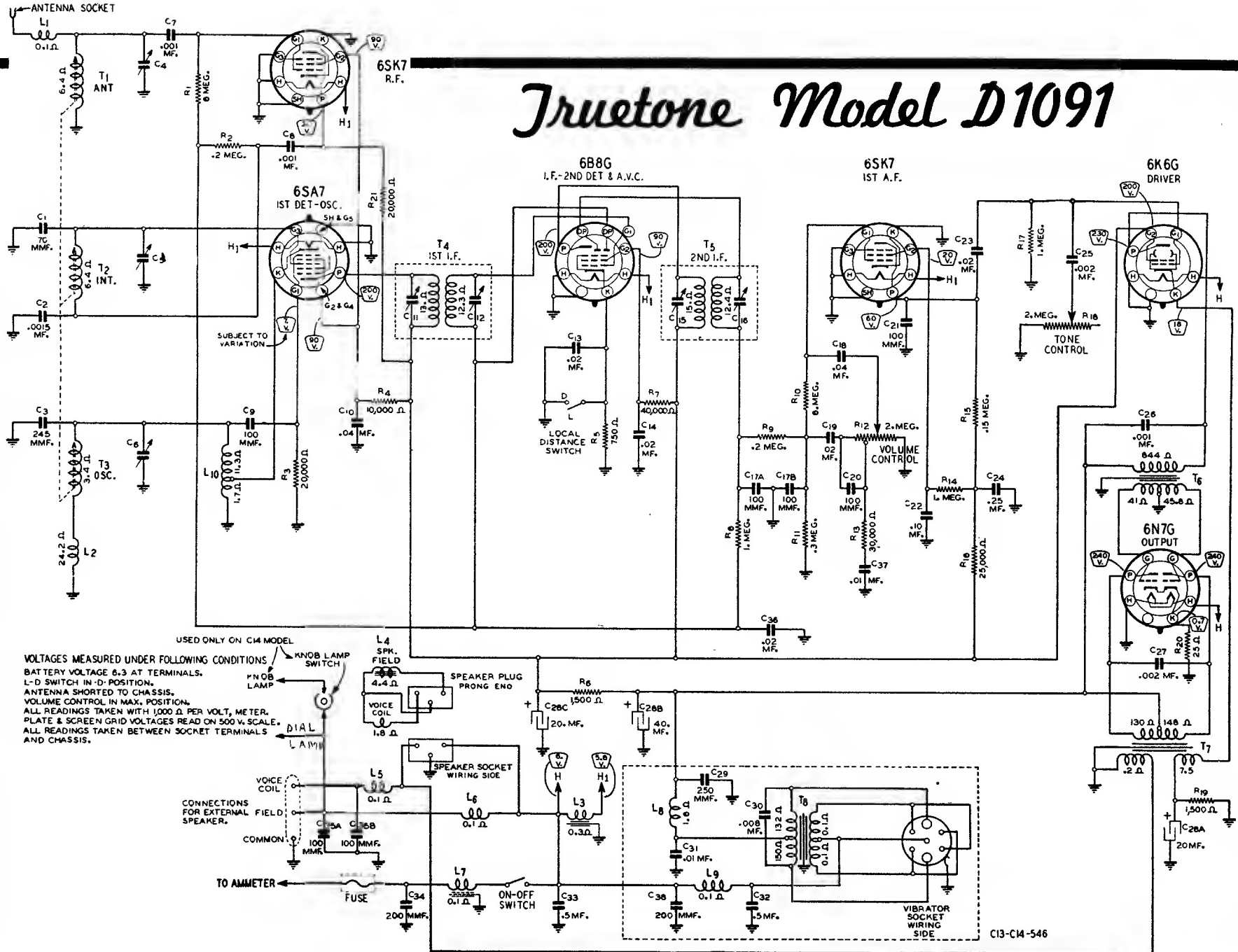


Truetone Model D1091



USED ONLY ON C14 MODEL

VOLTAGES MEASURED UNDER FOLLOWING CONDITIONS:
 BATTERY VOLTAGE 6.3 AT TERMINALS.
 L-D SWITCH IN D- POSITION.
 ANTENNA SHORTED TO CHASSIS.
 VOLUME CONTROL IN MAX. POSITION.
 ALL READINGS TAKEN WITH 1000 Ω PER VOLT, METER.
 PLATE & SCREEN GRID VOLTAGES READ ON 500% SCALE.
 ALL READINGS TAKEN BETWEEN SOCKET TERMINALS
 AND CHASSIS.

KNOB LAMP SWITCH
 P/N OB LAMP
 DIAL LAMP

CONNECTIONS FOR EXTERNAL SPEAKER.
 VOICE COIL
 COMMON

TO AMMETER

VIBRATOR SOCKET WIRING SIDE

C13-C14-546