

12SK7
R. F. AMP

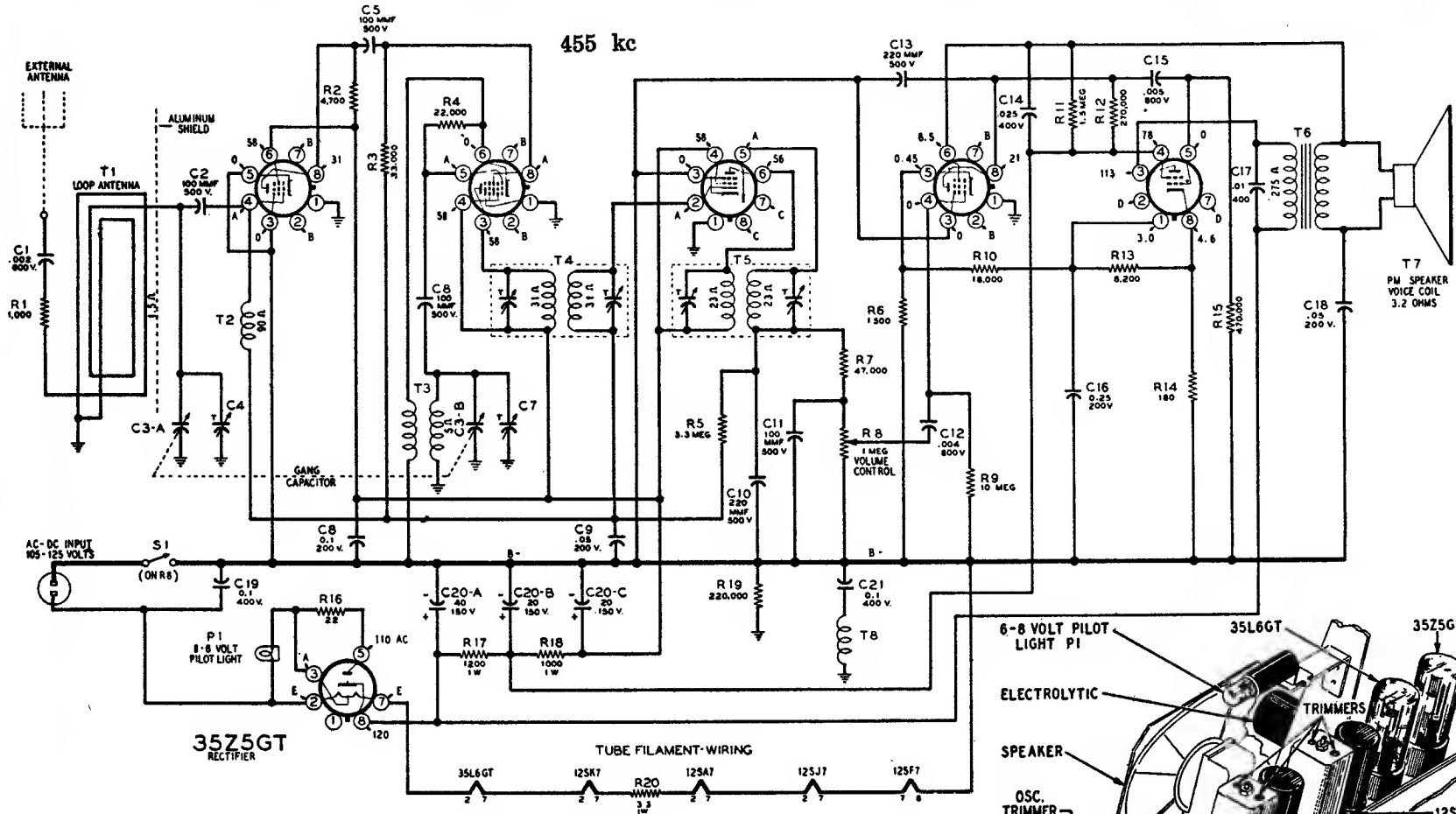
12SA7
CONVERTER

12SF7
I. F. AMP. &
2ND DET. AVC.

12SJ7
1ST AUDIO

35L6GT
POWER
OUTPUT

455 kc



WESTERN AUTO SUPPLY COMPANY

MODEL D2616
Factory Model 6D117

NOTES
- TUBE SOCKET VOLTAGES MEASURED WITH
5000-OHMS PER-VOLT DC VOLTMETER
BETWEEN B- AND DESIGNATED PINS.
A CANNOT BE MEASURED WITH 5000-OHMS
PER-VOLT DC VOLTMETER.
B 12 VOLTS AC BETWEEN PINS 2 AND 7.
C 12 VOLTS AC BETWEEN PINS 7 AND 8.
D 35 VOLTS AC BETWEEN PINS 2 AND 7.
E 34 VOLTS AC BETWEEN PINS 2 AND 7.

RESISTOR VALUES ARE $\frac{1}{2}$ WATT UNLESS
OTHERWISE SHOWN
CAPACITOR VALUES SHOWN IN "MF" UNLESS
OTHERWISE INDICATED.

