

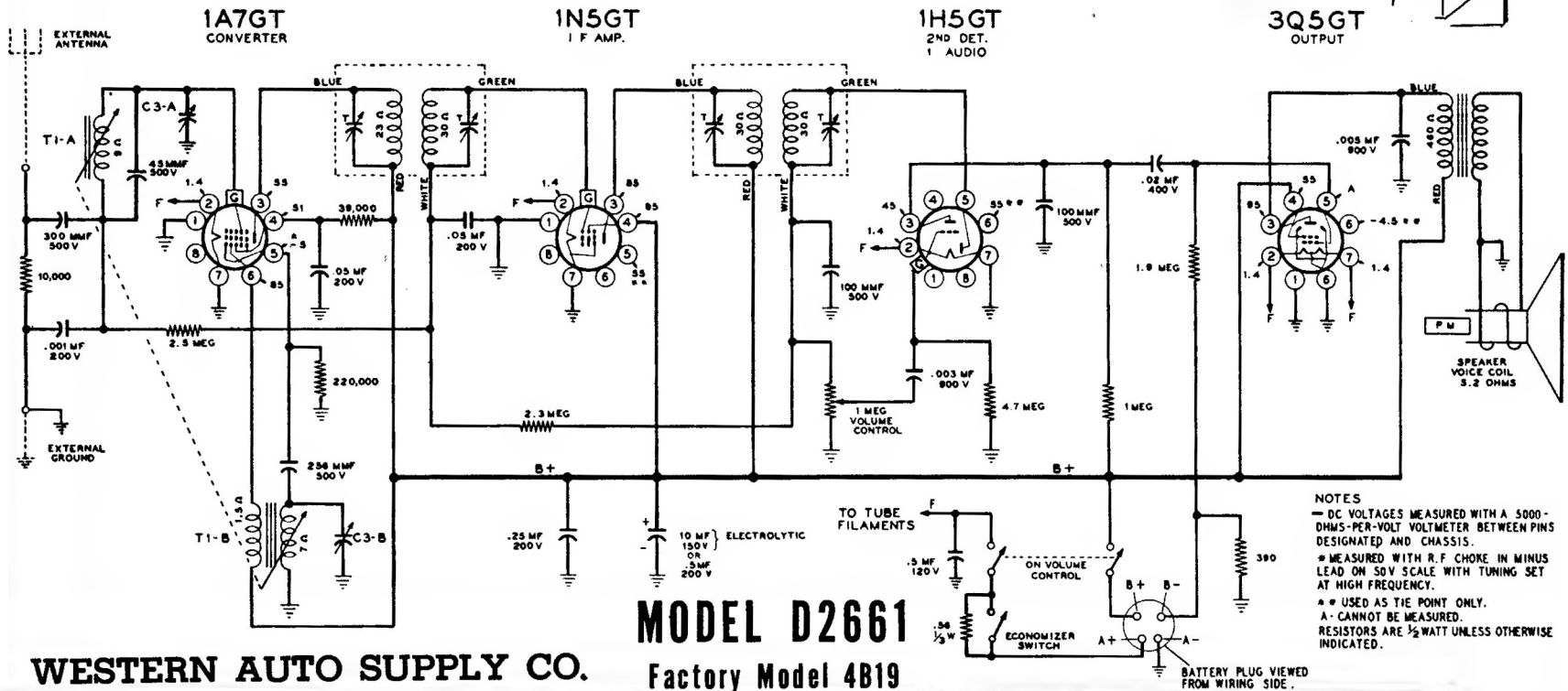
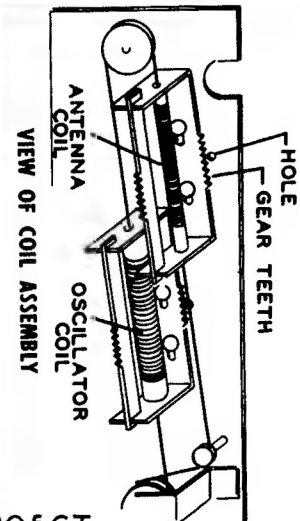
- Output meter across 3.2-ohm output load.
- Align for maximum output. Reduce input as needed to keep output near 0.4 volts.

- Volume control at maximum for all adjustments.
- Connect ground post of signal generator to radio chassis.

SIGNAL GENERATOR

Frequency	Dummy Antenna	Connection to Radio	TUNER SETTING	ADJUST FOR MAXIMUM OUTPUT (in order shown)
455 kc	.1 mf	Grid (top cap) of 1A7GT	Iron cores all the way out	Trimmers on output and input I.F. cans
1700 kc	.1 mf	Grid (top cap) of 1A7GT	Iron cores all the way out	Oscillator trimmer C3-B
1700 kc	200 mmf	Antenna lead	Iron cores all the way out	Antenna trimmer C3-A
1400 kc	200 mmf	Antenna lead	Turn dial to 1400 kc	Adjust position of antenna coil (see coil view)*

*This adjustment and the previous adjustment are interlocking; therefore repeat the two adjustments alternately for best results.



WESTERN AUTO SUPPLY CO.

MODEL D2661

Factory Model 4B19