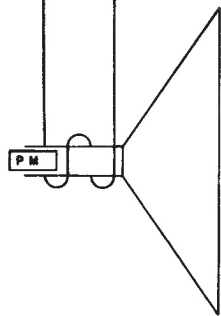
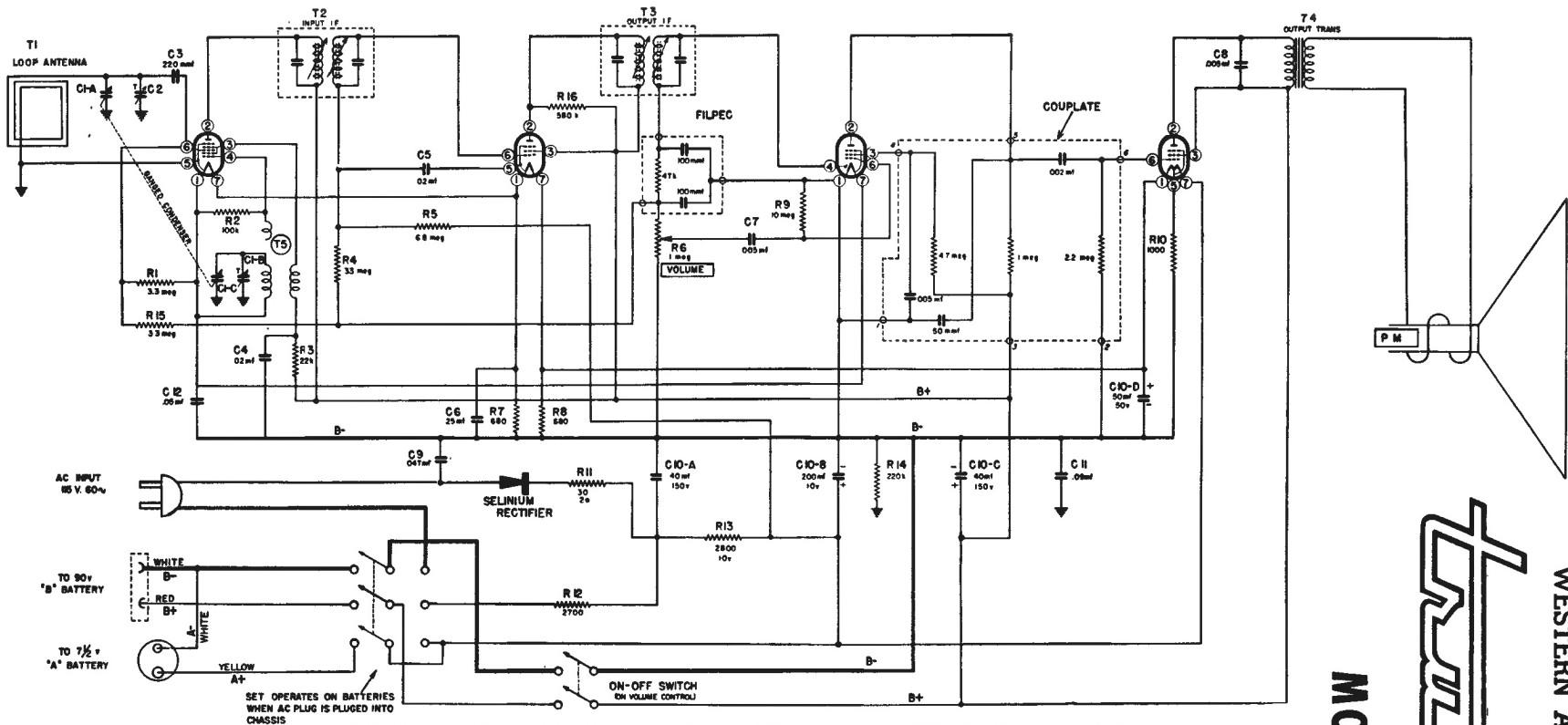


**IR5**  
CONVERTER

**IU4**  
I F AMP

**IU5**  
DET.-A V.C.-A.F.

**3V4**  
AUDIO OUTPUT



**Western**

WESTERN AUTO SUPPLY COMPANY

**MODEL D-3120A**

Factory Model 4P11

4 Tube A.C. - D.C.  
Battery Portable  
Built-In Antenna  
Selenium Rectifier

FREQUENCY	COUPLING CAPACITOR	DIAL SETTING	CONNECTION TO RADIO	GROUND CONNECTION	ADJUST	INPUT FOR 50 MILLIWATTS OUTPUT
455 kc.	.1 mfd.	1000 kc.	Pin No. 6 of 1R5	B- (shell of lytic)	I.F. slugs	100 microvolts
1620 kc.	.1 mfd.	1600 kc.	Pin No. 6 of 1R5	B- (shell of lytic)	C1-B Osc. Trim. on gang	—
1400 kc.	Radiation Loop	1400 kc.	Radiation loop	None	C-2 Antenna Trim. on gang	250 microvolts
400 cycles	.05 mfd.	—	Pin No. 6 of 1U5	B- (shell of lytic)	—	.040 volts
400 cycles	.05 mfd.	—	Pin No. 6 of 3V4	B- (shell of lytic)	—	3 volts