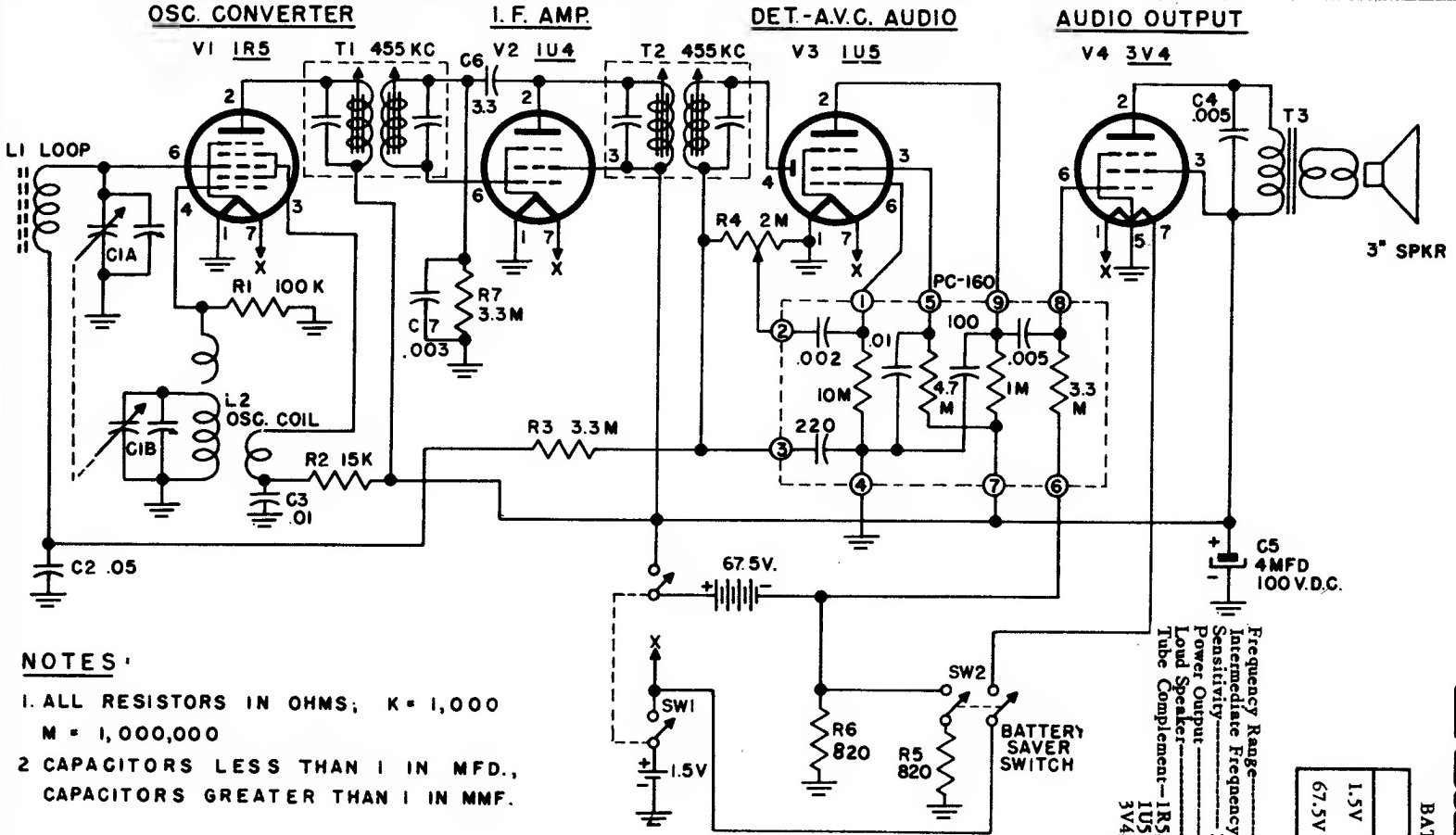


Western Auto Supply Company
MODEL NO. D3300

Tru-tone



NOTES:

- 1. ALL RESISTORS IN OHMS; K = 1,000
M = 1,000,000
- 2. CAPACITORS LESS THAN 1 IN MFD.,
CAPACITORS GREATER THAN 1 IN MMF.

Alignment Procedure

Output meter across voice coil (3.3 ohms)
 Volume control at maximum

Align for maximum output.
 Reduce input as needed to keep output at
 0.4 volts (50 mw)

| Signal Generator | | | | Tuner Setting | Adjust Trimmers To Maximum Output |
|------------------|--------------------|-------------------------|-------------------|--|-----------------------------------|
| Frequency | Coupling Capacitor | Connections To Receiver | Ground Connection | | |
| I.F. | 455kc | 0.1mfd | 12BE6 grid | Full Capacitance (plates in full mesh) | Input and Output I.F. Slugs |
| OSC. | 1650kc | 0.1mfd | 12BE6 grid | Minimum Capacitance (Plates out of mesh) | Oscillator Trimmer |
| ANT. | 1500kc | | Radiating Loop | 1500kc | Antenna Trimmer |

Frequency Range..... 532 to 1680 KCS
 Intermediate Frequency..... 455 KCS
 Sensitivity..... 250 microvolts per meter at 600 KCS
 Power Output..... 150 milliwatts maximum
 Loud Speaker..... 3" PM, V.C. impedance maximum
 Tube Complement—1R5, Converter; 1U4, I.F. Amplifier;
 1U5, Detector, A.V.C.; Audio Amplifier;
 3V4, Power Output.

BATTERY SAVER SWITCH

| | | |
|-----|----------|----------|
| ON | 200 M.A. | 250 M.A. |
| OFF | 5.4 M.A. | 8.3 M.A. |