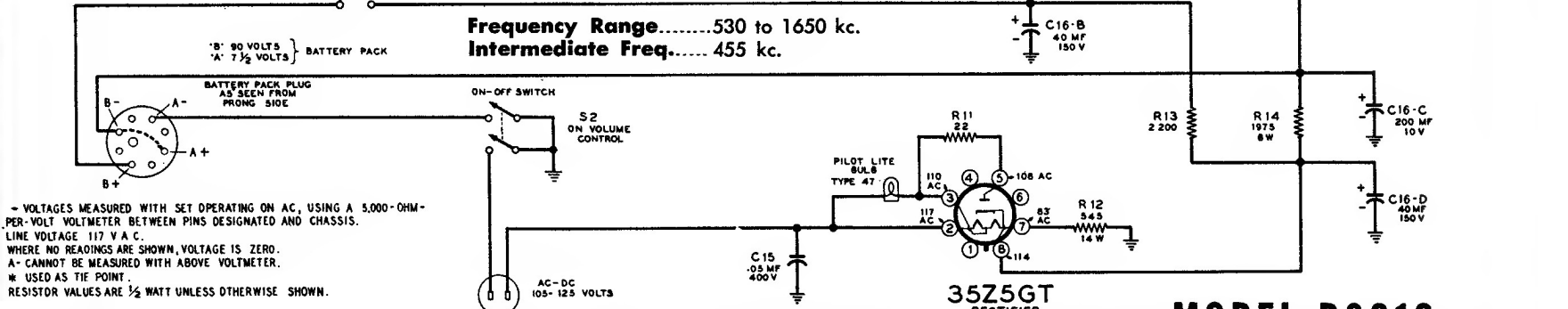
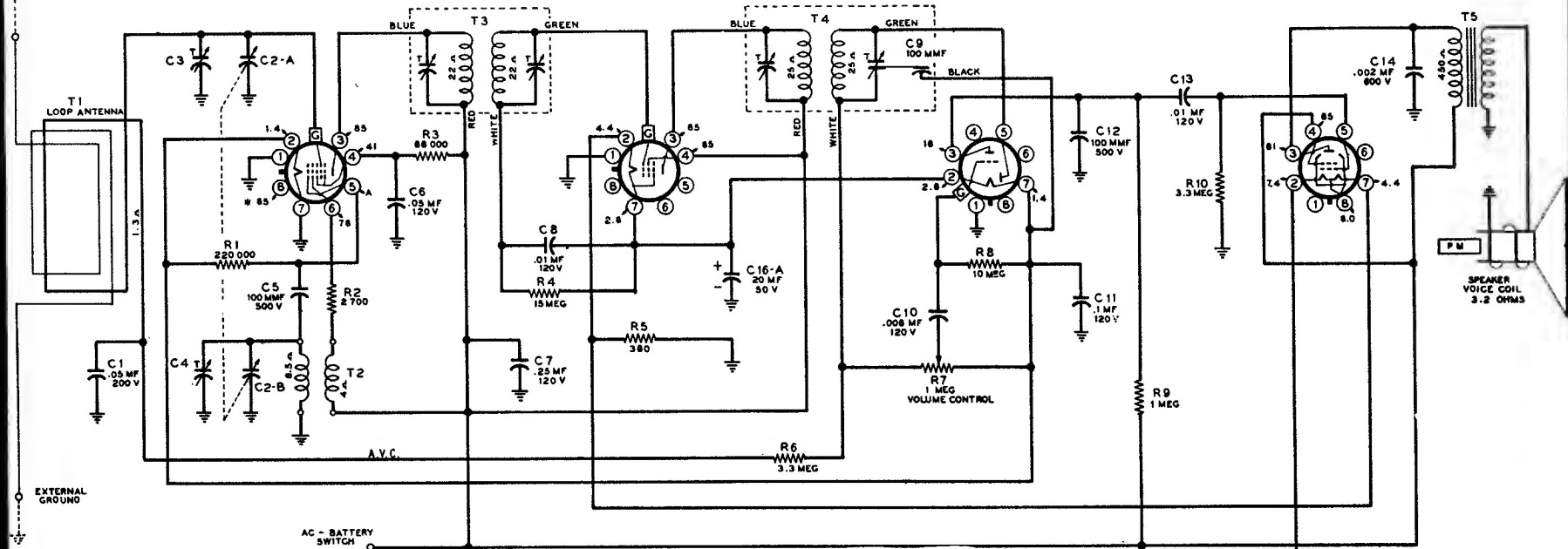


1A7GT
CONVERTER

1N5GT
I. F. AMP.

1H5GT
2ND DET.
1ST AUDIO
A.V.C.

3Q5GT
OUTPUT



- VOLTAGES MEASURED WITH SET OPERATING ON AC, USING A 5,000-OHM-
PER-VOLT VOLTMETER BETWEEN PINS DESIGNATED AND CHASSIS.
LINE VOLTAGE 117 V A.C.
WHERE NO READINGS ARE SHOWN, VOLTAGE IS ZERO.
A- CANNOT BE MEASURED WITH ABOVE VOLTMETER.
* USED AS TIE POINT.
RESISTOR VALUES ARE 1/2 WATT UNLESS OTHERWISE SHOWN.

TRUETONE RADIO

MODEL D3619
Factory Model 5P110