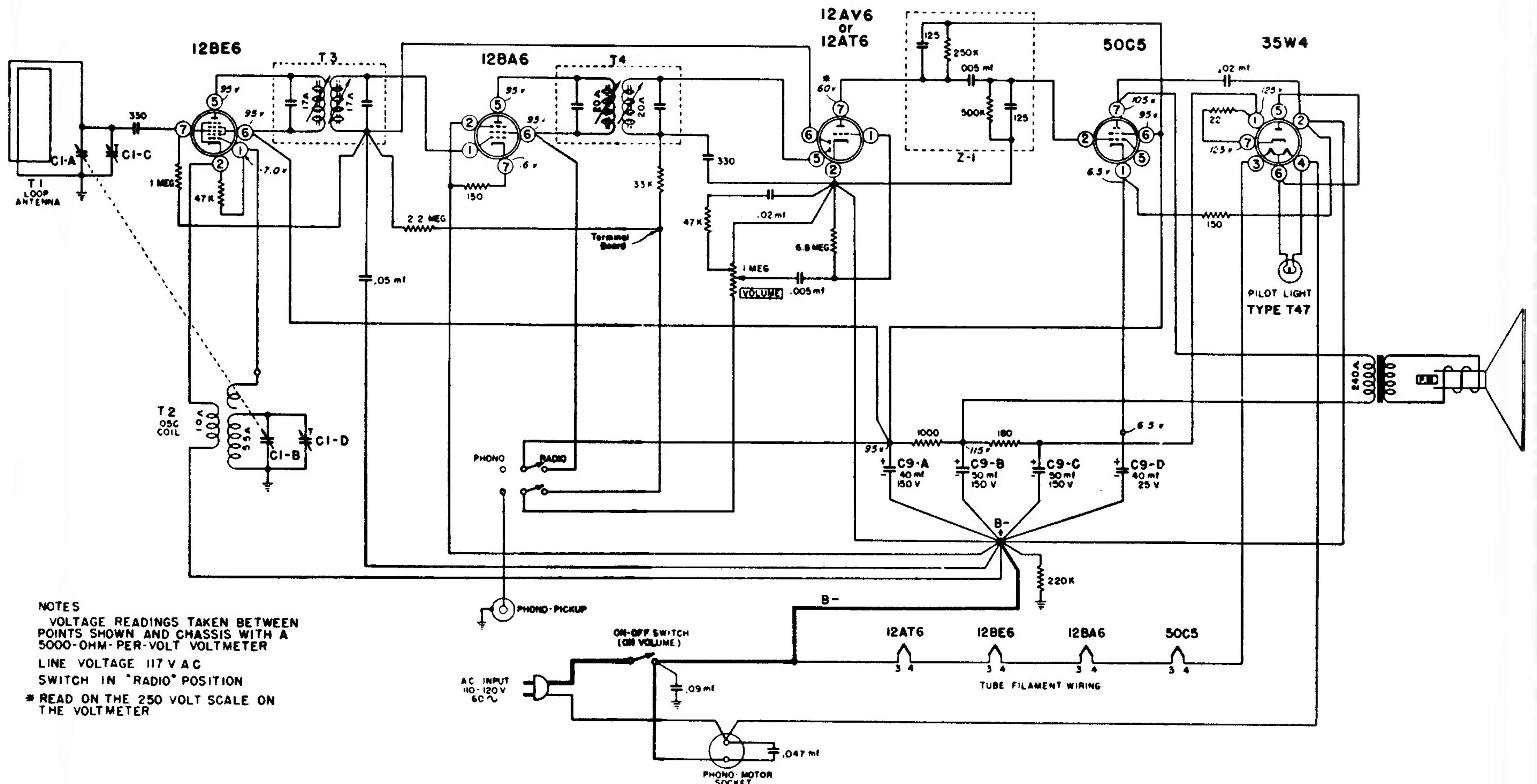


Waton

MODEL D-2042

Factory Model 5D162

Series A



ALIGNMENT PROCEDURE AND RECEIVER STAGE SENSITIVITIES

Alignment must be done in the cabinet.

SIGNAL GENERATOR				TUNER SETTING	ADJUST FOR MAXIMUM OUTPUT	INPUT FOR 50 MILLIWATT OUTPUT
Frequency	Coupling Capacitor	Connection to Radio	Ground Connection			
455 kc.	.1 mf.	12BE6, Pin 7	B MINUS POINT AT ELECTROLYTIC	Capacitor full open (plates out of mesh)	Top and bottom Cores in output and input I.F. cans	60 microvolts
1620 kc.	.1 mf.	12BE6, Pin 7		Capacitor full open (plates out of mesh)	Oscillator trimmer C1-D on gang	67 microvolts
535 kc.	.1 mf.	12BE6, Pin 7		Capacitor fully closed	Check for adequate range	61 microvolts
1400 kc.	—	Lay Generator lead near back of cabinet.		Set dial pointed at 1400 kc.	Antenna trimmer C1-C on gang	200 to 400 microvolts
400 cycles	.1 mf.	12AT6, Pin 1 or 12AV6		—	—	.03 volts

The signal source must be an accurately calibrated signal generator capable of supplying both 1000 kc and 455 kc signals modulated 30% with a 400-cycle audio signal. Variations in sensitivity of plus or minus 25% are usually permissible.

The table below lists the sensitivity at the input of each stage. All measurements are based on an output of 50 milliwatts. This may be measured by disconnecting the speaker voice coil and substituting a 3.2-ohm, 5-watt resistor across the secondary winding of the output transformer. A reading of 0.4 volts AC across this resistor will be equivalent to a 50-milliwatt output with the speaker connected.

- Loop antenna should be connected to receiver and in its proper position when making adjustments.

