

Western Auto Supply Co.  
Truetone Model D4142A

### ALIGNMENT PROCEDURE

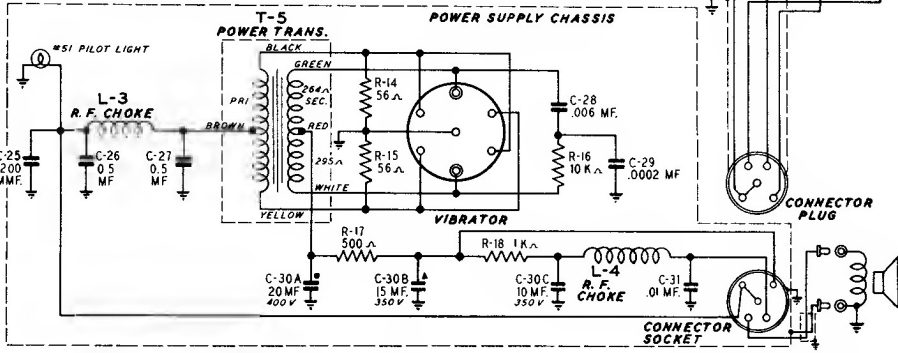
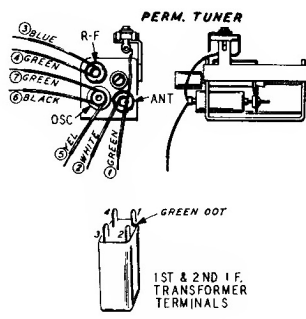
**Volume Control—Maximum All Adjustments.**  
Connect Radio Chassis to Ground Post of Signal Generator with a Short Heavy Lead.  
Allow Chassis and Signal Generator to "Heat Up" for several minutes.

The following equipment is required for aligning:

A Signal Generator which will provide an accurately calibrated signal at the test frequencies as listed.

Output Indicating Meter—Non-Metallic Screwdriver.

Dummy Antenna—.05 mf., See Note A.



SIGNAL GENERATOR		ADJUST TUNING SLUGS (IF) AND TRIMMERS TO MAXIMUM (See Fig. 4)		
FREQUENCY SETTING	CONNECTION AT RADIO	DUMMY ANTENNA	IRON CORE SETTING	
I.F.	Control Grid (prong No. 7) 6BE6 Mixer Tube	.05 mf.	Extreme Position out of Coil	1st I.F. Pri. (1) & Sec. (2) 2nd I.F. Pri. (3) & Sec. (4)
1605 KC	Antenna Cable See Note A	See Note A	Extreme Position out of Coil	Oscillator (C-7)
1605 KC	Antenna Cable	See Note A	Extreme Position out of Coil	R.F. (C-5) Ant. (C-2)

Reassemble Radio—Install in Car—Connect Car Antenna to Radio.

Car Antenna Readjustment—Tune in weak signal near 1600 KC—Readjust Antenna Trimmer C-2 for maximum output.

Attenuate the signal from the signal generator to prevent the leveling-off action of the AVC.

NOTE A—Insert the antenna cable plug in the antenna socket on the chassis. The total capacity of the antenna cable and dummy antenna should be 60 mmf. If the cable, for example, has a capacity of 30 mmf., use a 30 mmf. condenser for a dummy antenna. Connect the other end of the antenna cable through the dummy antenna capacity to the output of the signal generator.

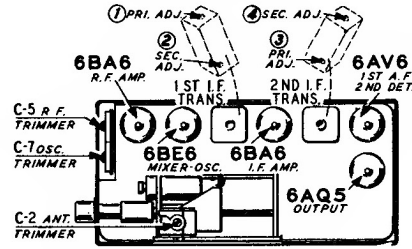


Fig. 4 — Tube Layout

Western Auto Supply Co.

**MODEL D4142A**  
Factory Model 25C23-11