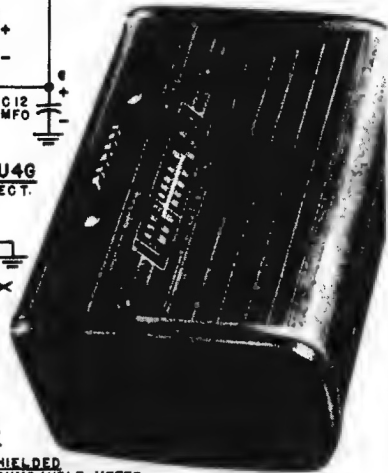
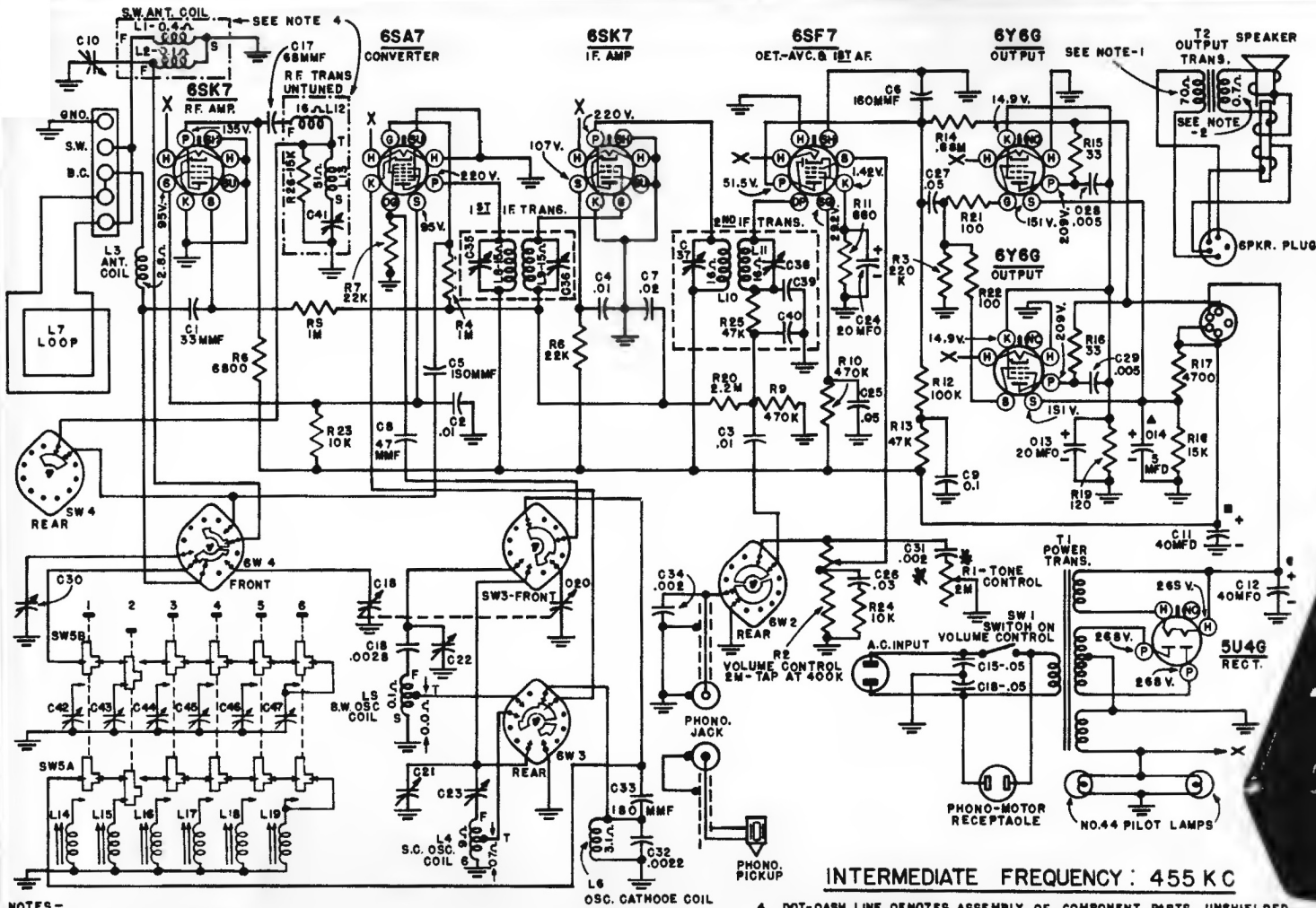


Westinghouse Electric  
 Models H-104, H-105,  
 H-107, H-108.  
 Chassis for models  
 H-110, H-111, H-137,  
 & H-138 are similar  
 to the above models.



INTERMEDIATE FREQUENCY: 455 KC

- NOTES -
1. SPEAKER PLUG REMOVED
  2. VOICE COIL DISCONNECTED.
  3. SWITCH SW2-3&4 SHOWN AS VIEWED FROM FRONT OF SET IN P.S.-S.C. POSITION. EXTREME COUNTER CLOCKWISE POSITION IS PHONO. SECONO POSITION CLOCKWISE IS RB.-S.C. BAND. THIRD POSITION CLOCKWISE IS MANUAL S.C. BAND. FOURTH POSITION CLOCKWISE IS S.W. BAND.

4. DOT-DASH LINE DENOTES ASSEMBLY OF COMPONENT PARTS UNSHIELDED.
5. ALL VOLTAGES MEASURED FROM CHASSIS (BNO.) USING 20,000 OHMS/VOLT METER. LINE VOLTAGE 117 V.A.C. MAX. VOLUME CONTROL SETTING AT NO SIGNAL CONDITIONS FOR THE BROADCAST BAND. READINGS SHOULD APPROXIMATE THE VALUES SHOWN WITHIN 20 PERCENT.

\*R1-C31 in some later models were wired across R14 for tone control action.

**H-104** MAHOGANY    **H-105** WALNUT    **H-107** MAHOGANY    **H-108** WALNUT

H-104 & H-105

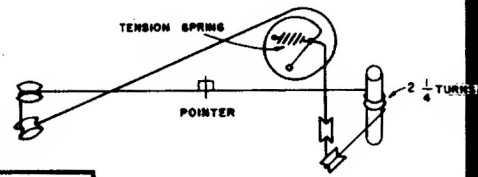
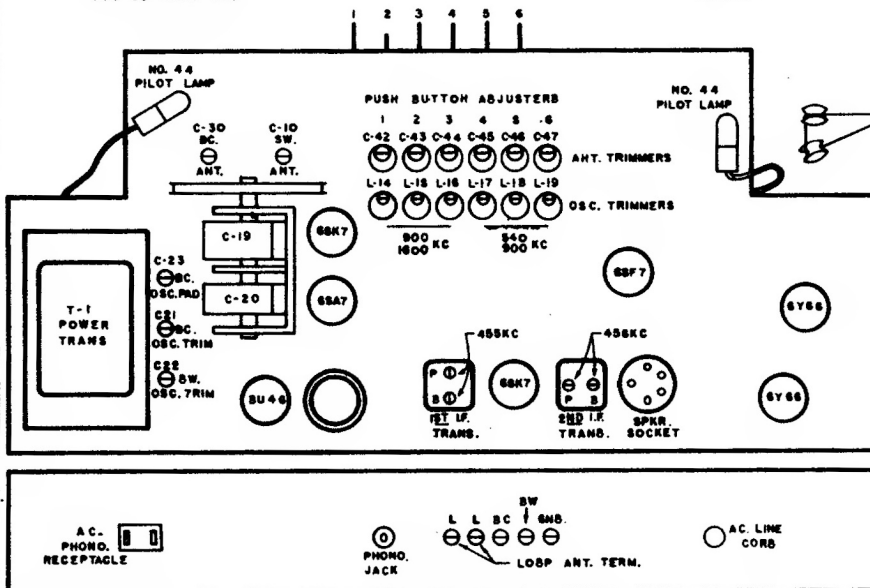
Steps	Connect Signal Generator to—	Adjust Signal Generator to—	Tune Radio Dial to —	Adjust
1	6SK7, i-f amplifier, control grid through a 0.1 mfd. capacitor	455 kc	550 kc	secondary trimmer of 2nd i-f transformer for maximum output
2	6SK7, i-f amplifier, control grid through a 0.1 mfd. capacitor	455 kc	550 kc	primary trimmer of 2nd i-f transformer for maximum output
3	6SA7, converter, control grid through a 0.1 mfd. capacitor	455 kc	550 kc	secondary trimmer of 1st i-f transformer for maximum output
4	6SA7, converter, control grid through a 0.1 mfd. capacitor	455 kc	550 kc	primary trimmer of 1st i-f transformer for maximum output
5	6SA7, converter, control grid through a 0.1 mfd. capacitor	455 kc	550 kc	"peak" all i-f trimmers for maximum output
6	6SK7, r-f amplifier, control grid through a 0.1 mfd. capacitor	455 kc	550 kc	i-f rejection trap trimmer for minimum output
7	"B.C." antenna terminal through a 200 mmfd. capacitor	600 kc	600 kc	broadcast band "oscillator padder" for maximum output
8	"B.C." antenna terminal through a 200 mmfd. capacitor	1620 kc	minimum capacity stop	broadcast band "oscillator trimmer" for maximum output
9	recheck steps 7 and 6 in order given			
10	radiated signal (no actual connection)	1400 kc	1400 kc	broadcast band "antenna trimmer" for maximum output
11	set phono-band switch on position "4"			
12	"S.W." antenna terminal through 400 ohm resistor	18.5 mc	minimum capacity stop	short wave "oscillator trimmer" for maximum output
13	radiated signal (no actual connection)	16 mc	16 mc	short wave "antenna trimmer" for maximum output

**PUSH BUTTONS**

Push buttons 1 to 3 are designed to receive stations from 900 to 1600 kc; push buttons 4 to 6 are designed to receive stations from 540 to 900 kc.

1. Turn on radio and allow it to warm up for five minutes.
2. Set the phono-band switch on "BROADCAST." Tune in the desired station in the frequency range 900 to 1600 kc.

3. Reset the phono-band switch on "PUSH BUTTON" and depress the first push button (right button, viewed from the front). Adjust L14, using a small long-handled screwdriver, to receive the station. Adjust C42 for maximum volume on the station.
4. Return the band switch to "BROADCAST" to make sure that the push button has been set to the desired station.
5. Adjust remaining push buttons in the same manner.



**CHASSIS LAYOUT**

